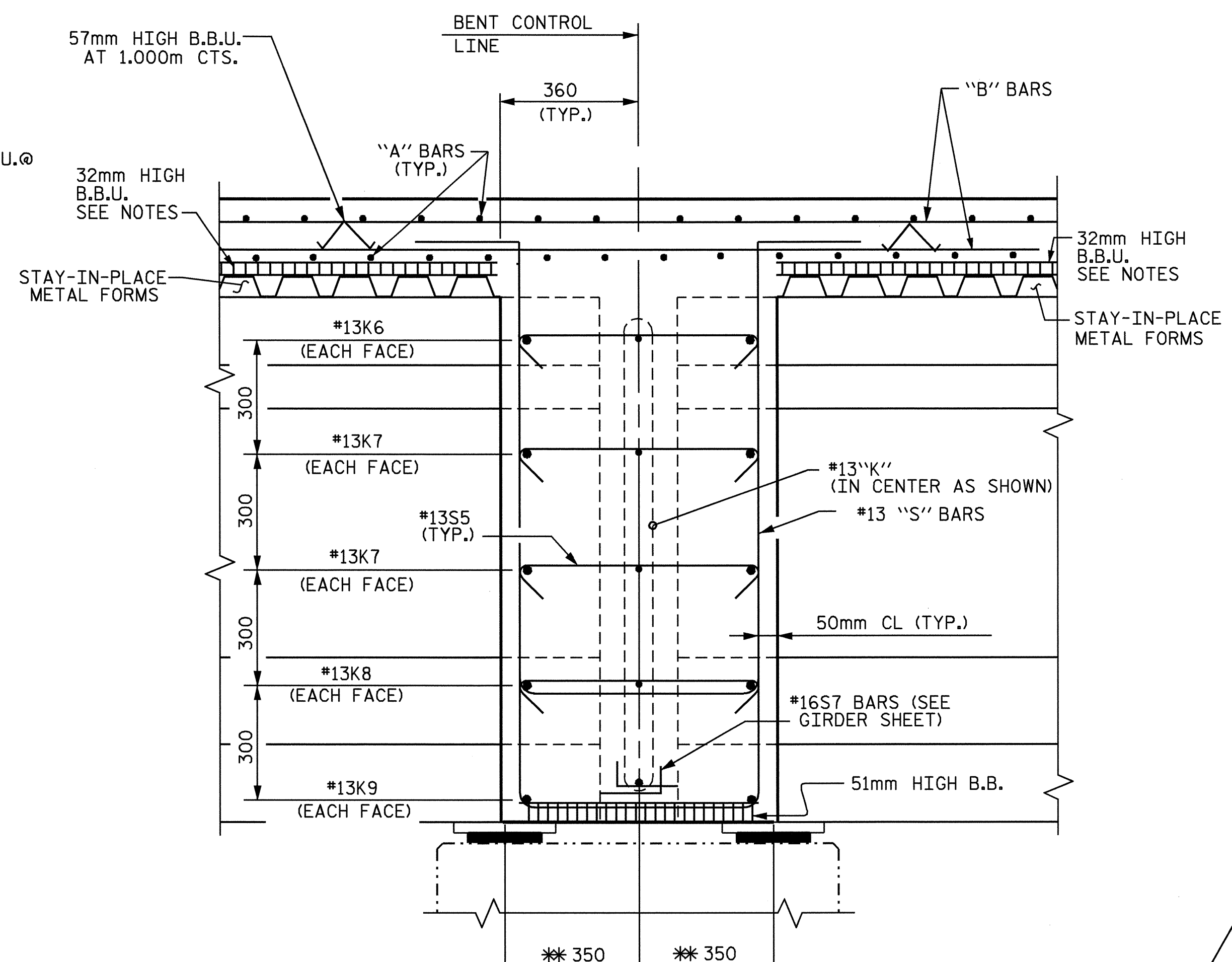


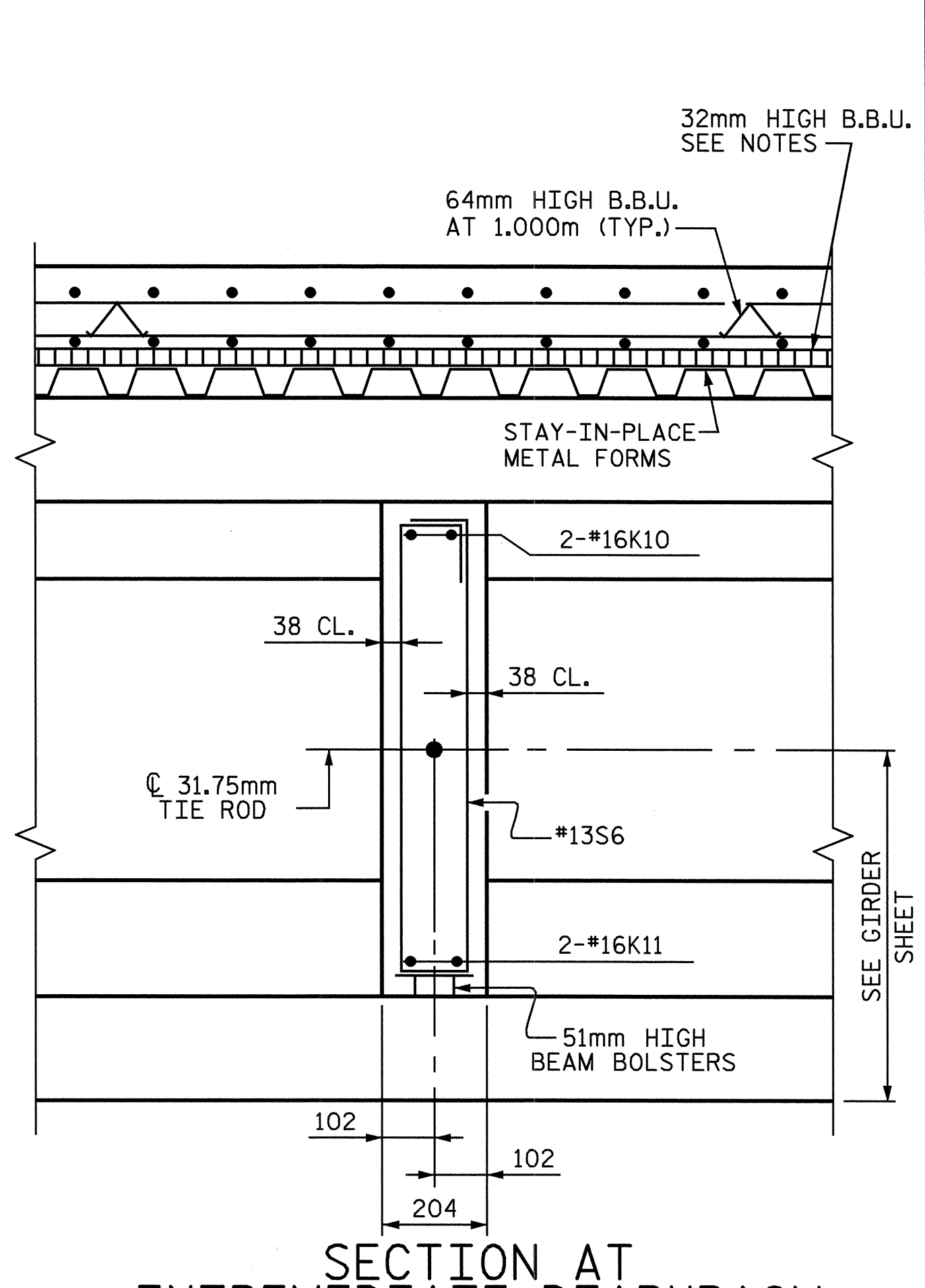
SECTION AT END BENT DIAPHRAGM

*** #16 G1 BAR MAY BE SHIFTED SLIGHTLY, AS NECESSARY, TO CLEAR REINFORCING STEEL AND STIRRUPS.

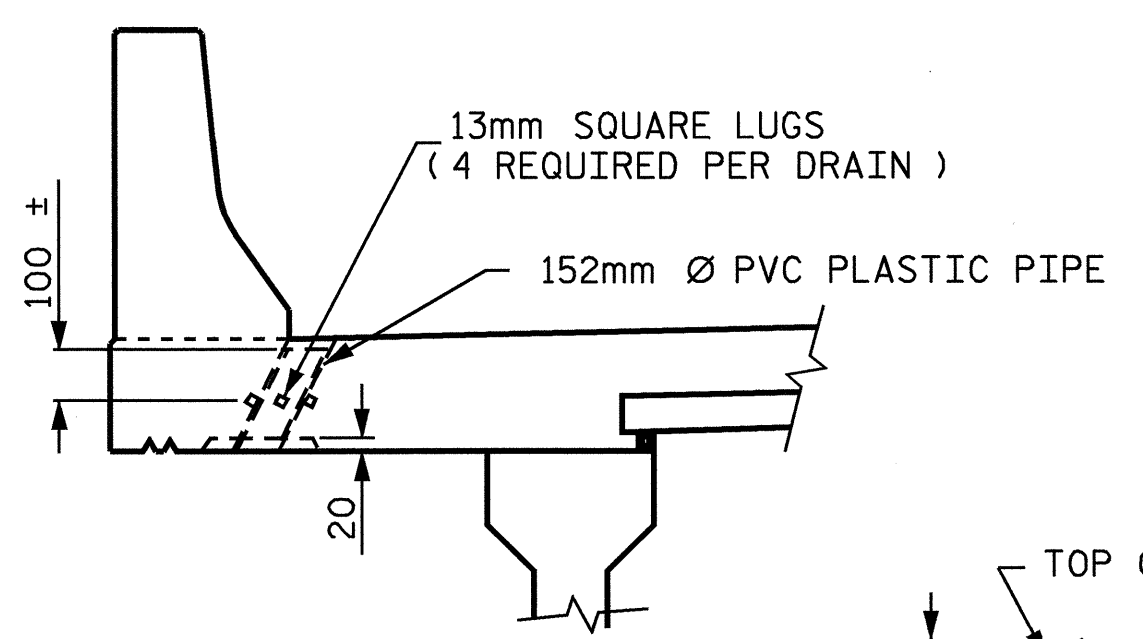


SECTION AT BENT DIAPHRAGM

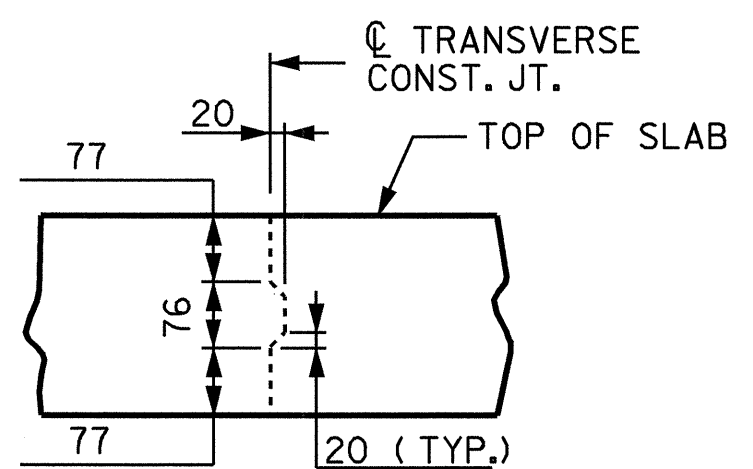
** MEASURED ALONG GIRDER



SECTION AT INTREMEDATE DIAPHRAGM

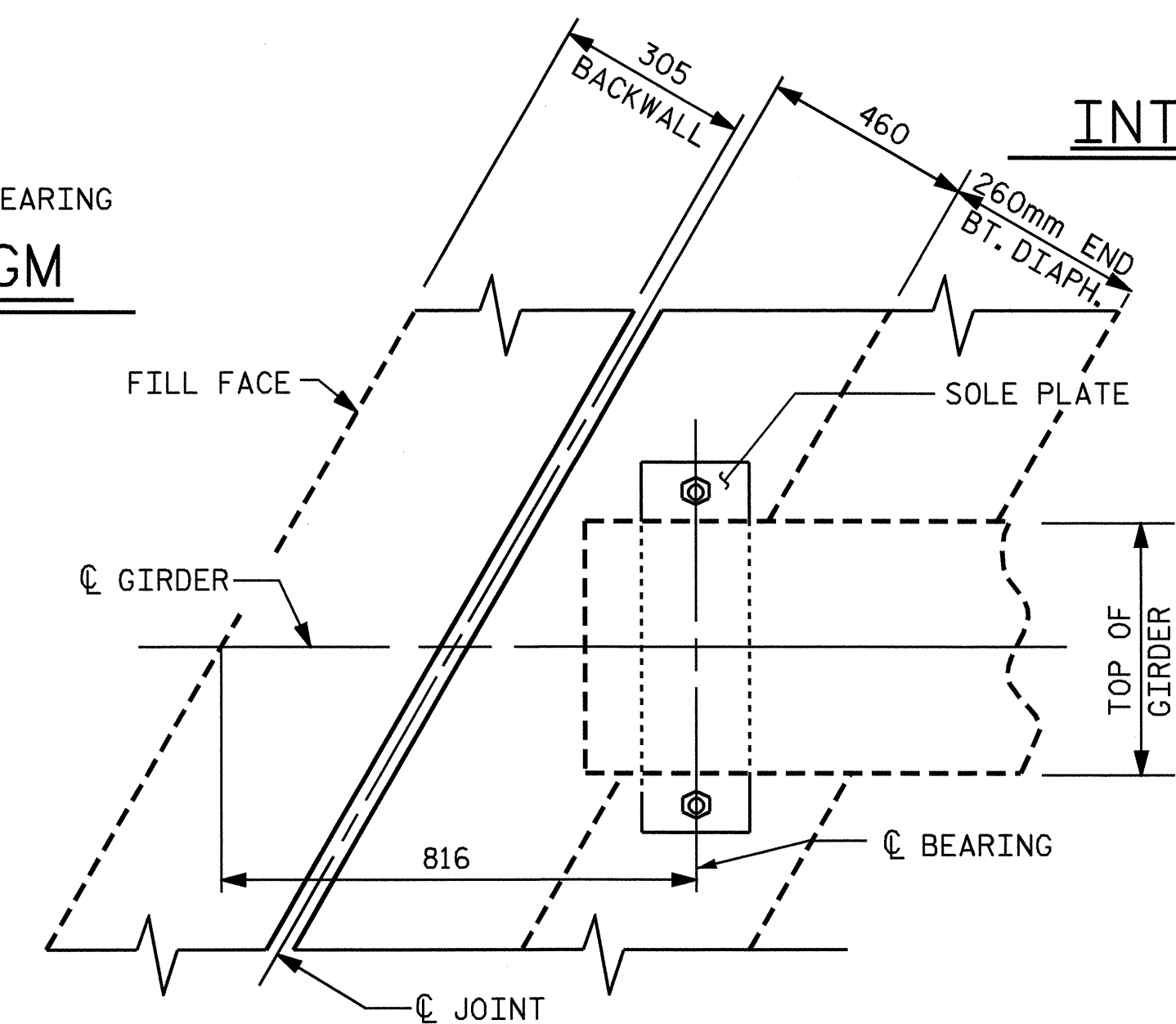


ELEVATION

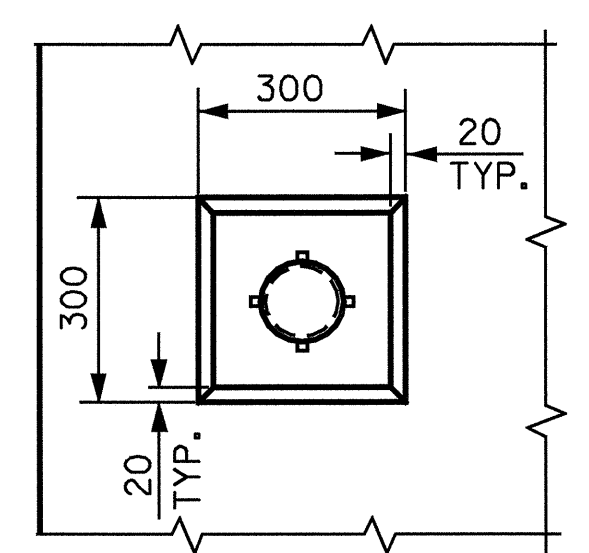


TRANSVERSE CONST. JOINT DETAIL

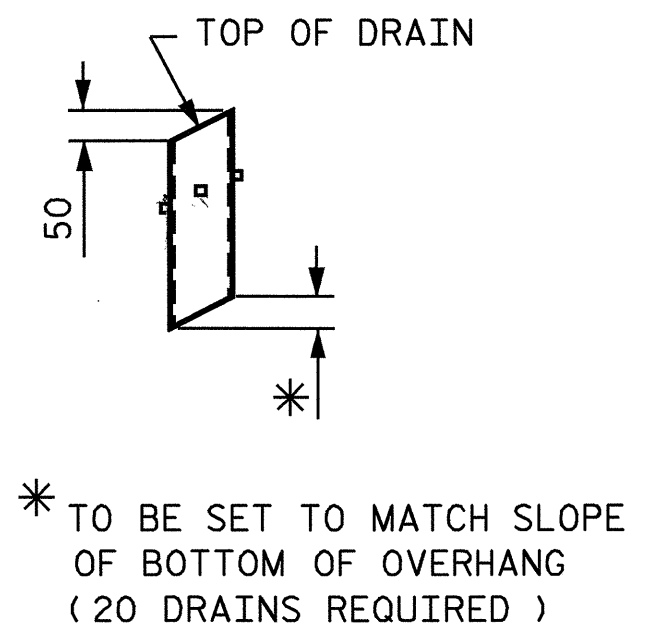
NOTE: REINFORCING STEEL IN SLAB NOT SHOWN. LONGITUDINAL REINFORCING STEEL SHALL BE CONTINUOUS THROUGH JOINT.



END BENT DIAPHRAGM



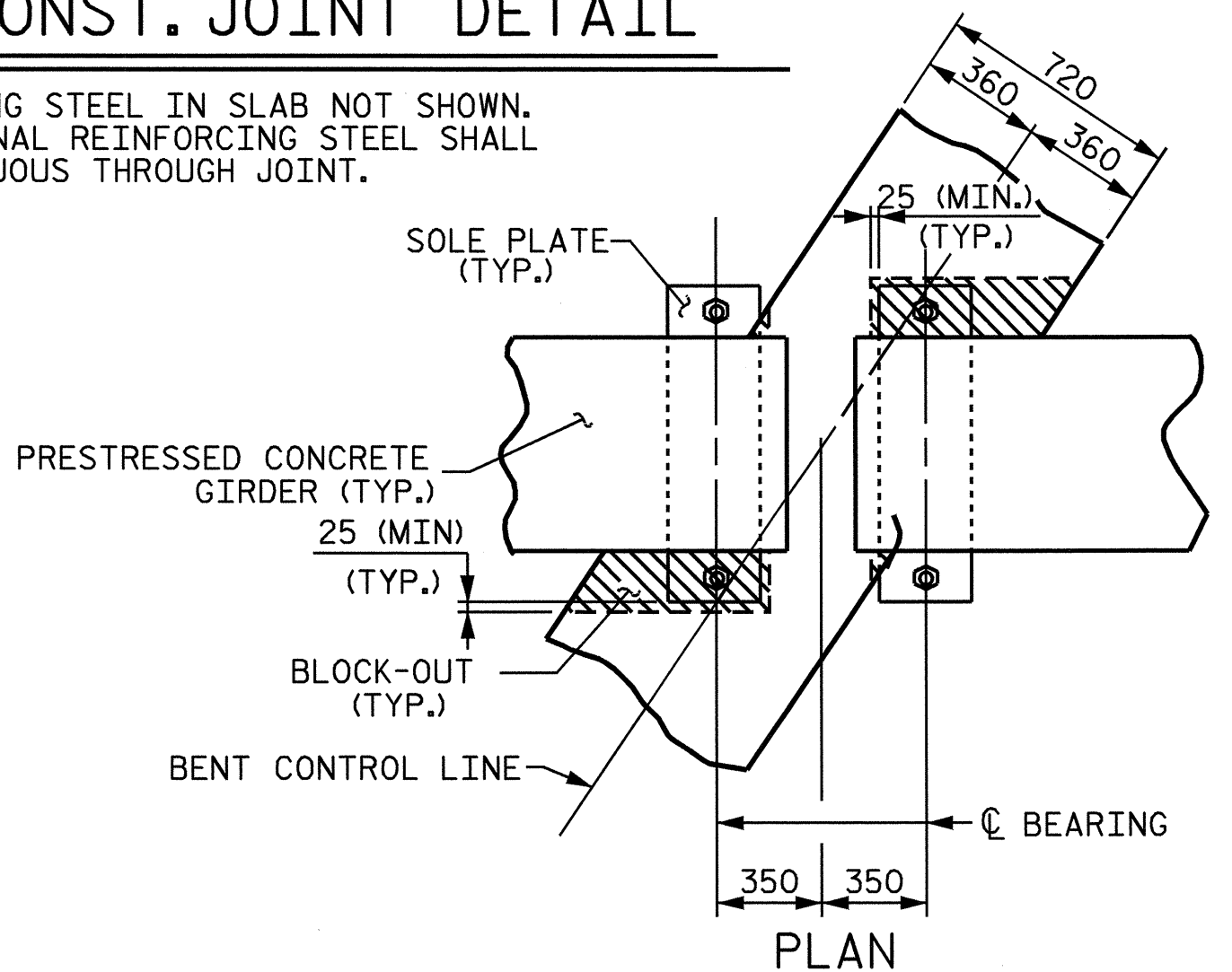
PLAN OF RECESS



PIPE DETAIL

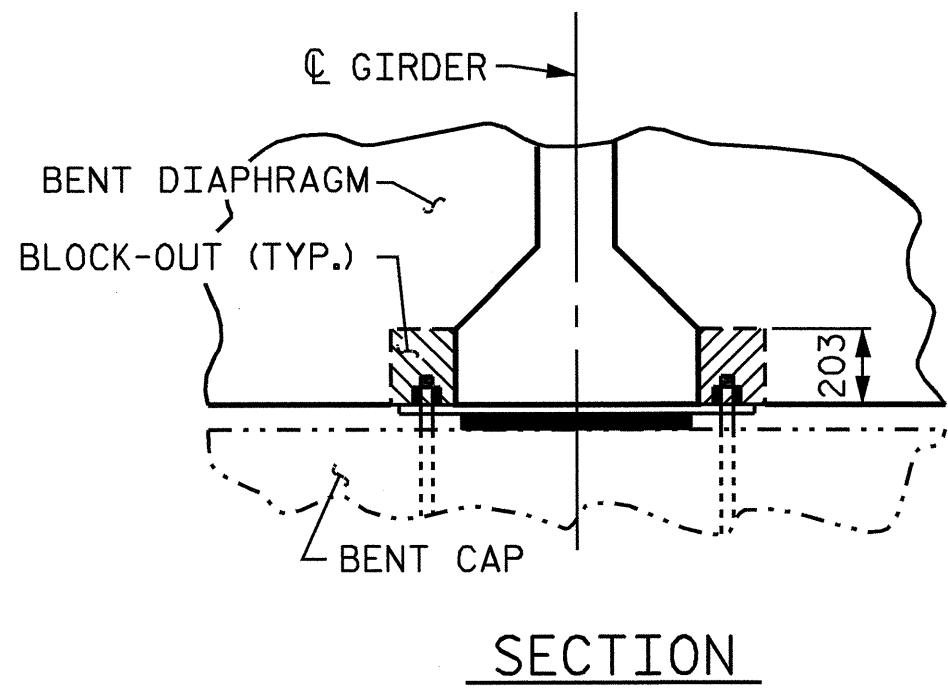
TOP OF FLOOR DRAINS TO SET 10mm BELOW SURFACE OF SLAB.
 4 - 13mm SQUARE LUGS TO BE GLUED TO THE PVC PLASTIC PIPE AT EQUAL SPACES AROUND THE PIPE DRAIN APPROXIMATELY 100mm FROM THE TOP OF THE PIPE.
 THE 152mm Ø PVC PIPE AND FITTINGS SHALL BE SCHEDULE 40 AND CONFORM TO ASTM D1785.

DRAIN DETAILS



PLAN

BENT DIAPHRAGM BLOCKOUT DETAIL

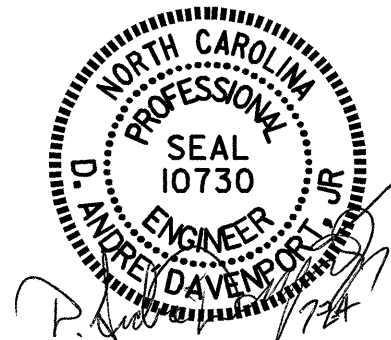


SECTION

PROJECT NO. R-2610B
 CHATHAM COUNTY
 STATION: 22+83.400-L-

SHEET 2 OF 2

REVISIONS						SHEET NO.
NO.	BY:	DATE:	NO.	BY:	DATE:	S-5
1			3			TOTAL SHEETS
2			4			60



DRAWN BY: H.T. BARBOUR DATE: 5-3-04
 CHECKED BY: D.A. DAVENPORT DATE: 5-04