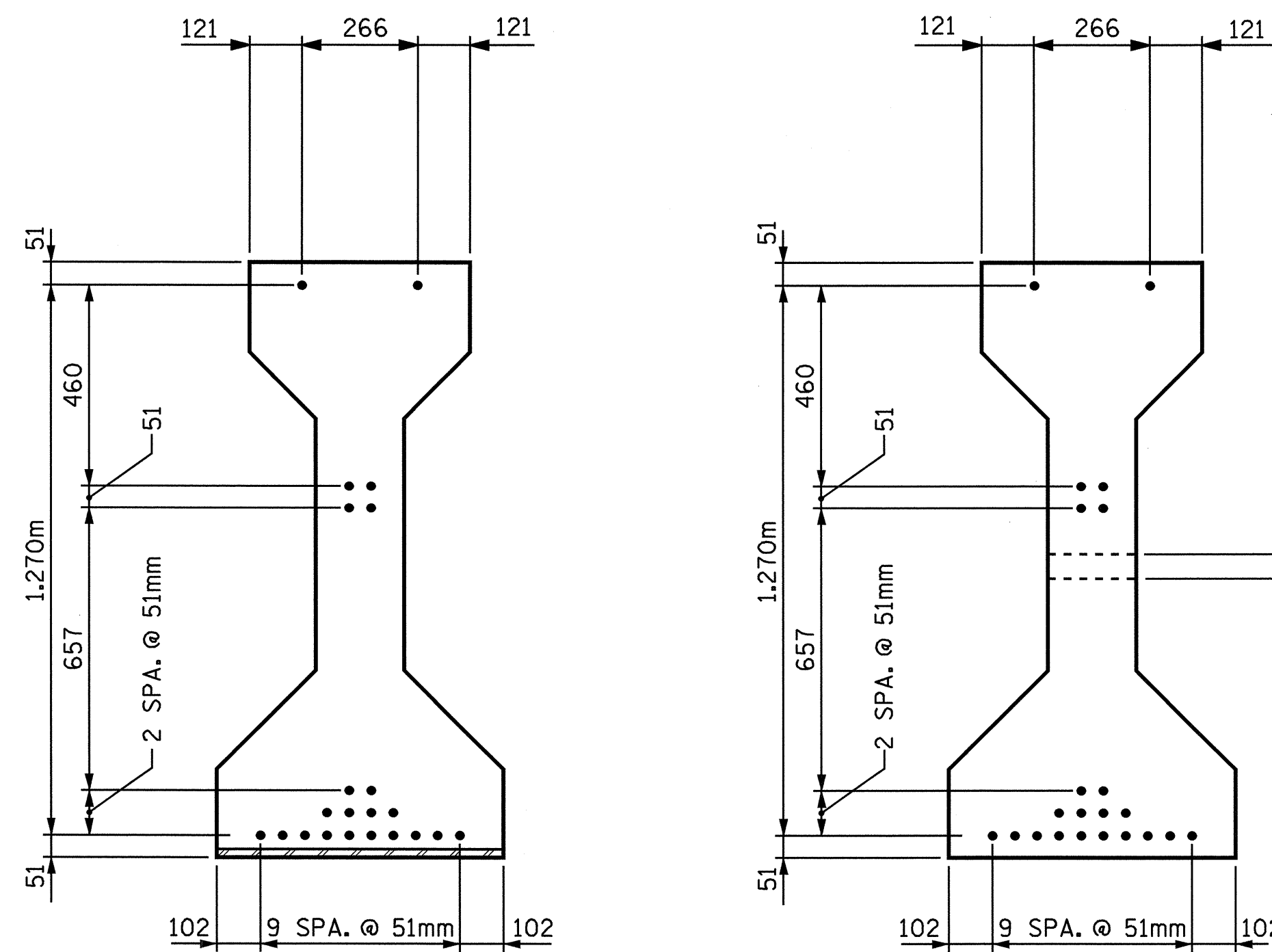


* FOR S7 BARS, SEE
DETAIL "A" OF PRESTRESSED
CONCRETE GIRDER CONTINUOUS
FOR LIVE LOAD DETAILS SHEET

SECTION A-A

SECTION B-B

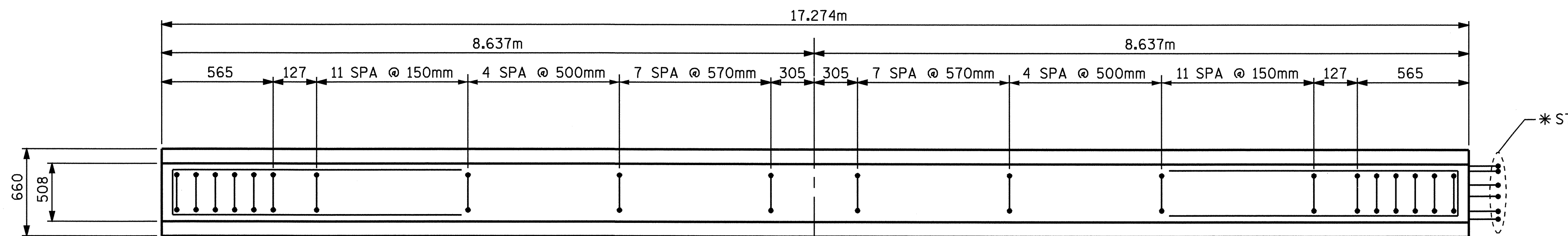


AT END OF GIRDER

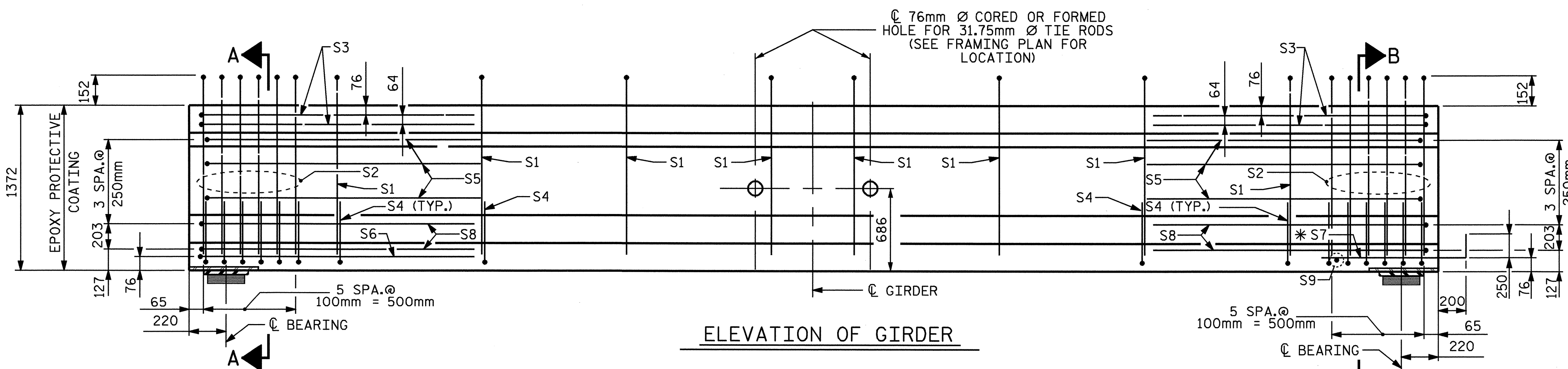
AT C OF GIRDER

12.70mm Ø LOW RELAXATION STRAND LAYOUT

76mm Ø CORED OR FORMED HOLE
FOR 31.75mm Ø TIE RODS
(SEE ELEVATION AND SUPERSTRUCTURE
FRAMING PLAN FOR LOCATION)



PLAN OF GIRDER



ELEVATION OF GIRDER

12.70mm Ø L. R. GRADE 270 STRANDS

AREA (mm ²)	ULTIMATE STRENGTH (KN PER STRAND)	APPLIED PRESTRESS (KN PER STRAND)
98.71	183.7	137.8

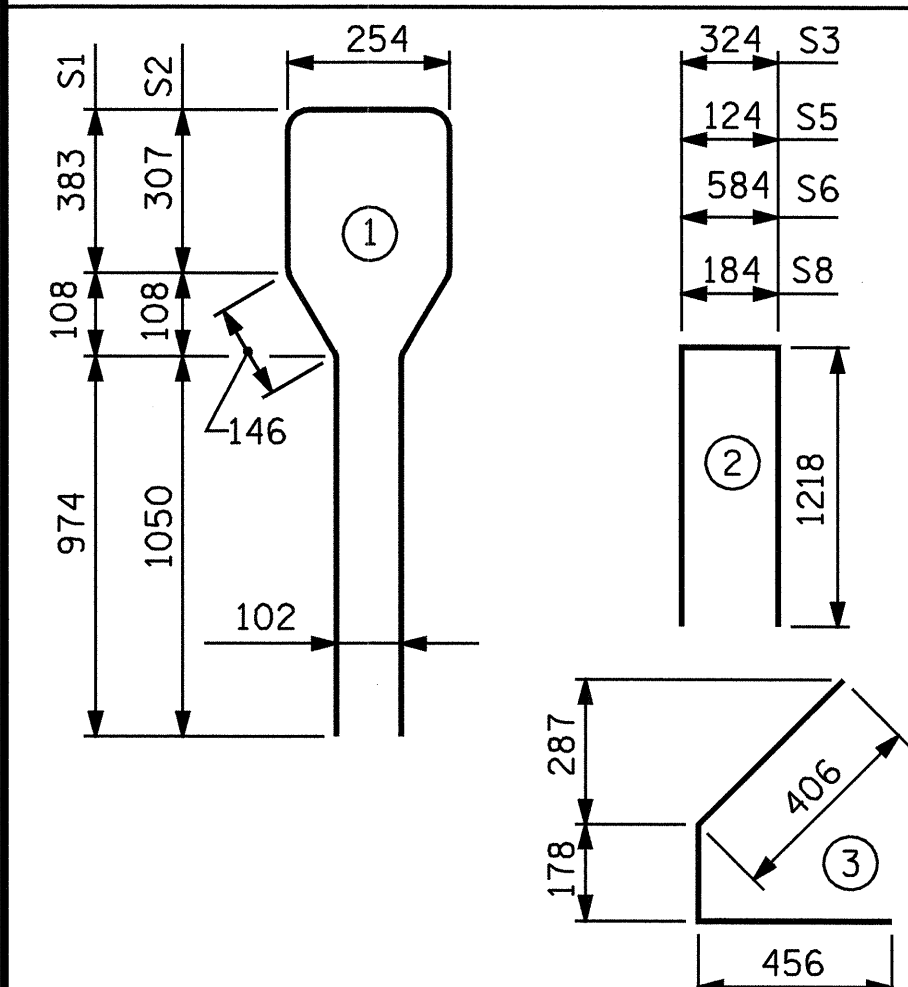
REINFORCING STEEL FOR ONE GDR.

BAR	NUMBER	SIZE	TYPE	LENGTH	WEIGHT
S1	46	#13	1	3260	149
S2	12	#19	1	3260	87
S3	4	#13	2	2760	11
S4	72	#13	3	1040	74
S5	6	#13	2	2560	15
S6	1	#13	2	3020	3
* S7	6	#16	STR.	1120	10
S8	4	#13	2	2620	10
S9	1	#10	STR.	560	1

* NOTE: S7 BARS SHALL BE BENT BEFORE SHIPMENT. HEAT BENDING SHALL NOT BE ALLOWED.

BAR TYPES

ALL BAR DIMENSIONS ARE OUT-TO-OUT



QUANTITIES FOR ONE GIRDER

SPAN A & C	REINFORCING STEEL	34.5 MPa CONCRETE	12.70 Ø L.R. STRAND
	kg	m ³	No.
SPAN A & C	360	8.792	22

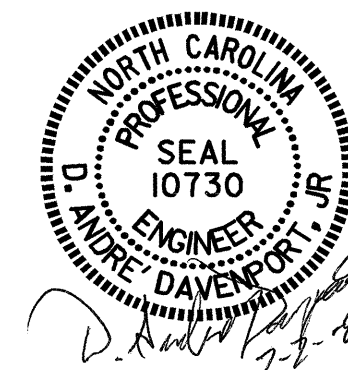
GIRDERS REQUIRED

NUMBER	LENGTH	TOTAL LENGTH
8	17.274m	138.192m

PROJECT NO. R-2610B
CHATHAM COUNTY
STATION: 22+83.400-L-

SHEET 1 OF 3

STATE OF NORTH CAROLINA
DEPARTMENT OF TRANSPORTATION
RALEIGH
AASHTO TYPE IV
PRESTRESSED CONCRETE
GIRDER CONTINUOUS
FOR LIVE LOAD
SPANS A & C



REVISIONS						SHEET NO. S-10
NO.	BY:	DATE:	NO.	BY:	DATE:	
1			3			TOTAL SHEETS 60
2			4			

ASSEMBLED BY : H. T. BARBOUR DATE : 3-12-04
CHECKED BY : D. A. DAVENPORT DATE : 5-04
DRAWN BY : EEM 2/97
CHECKED BY : VP 2/97

CADD
STANDARD