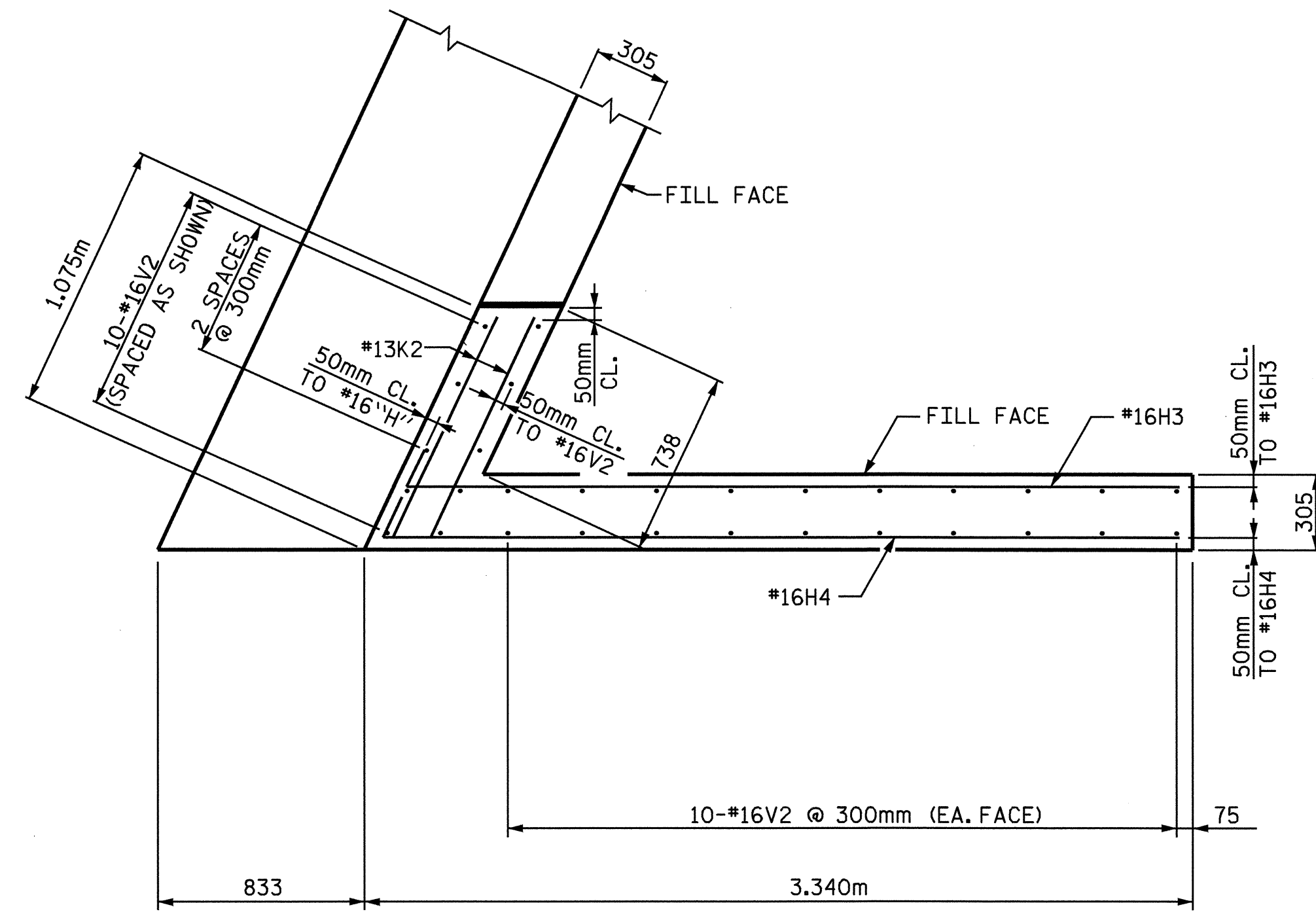
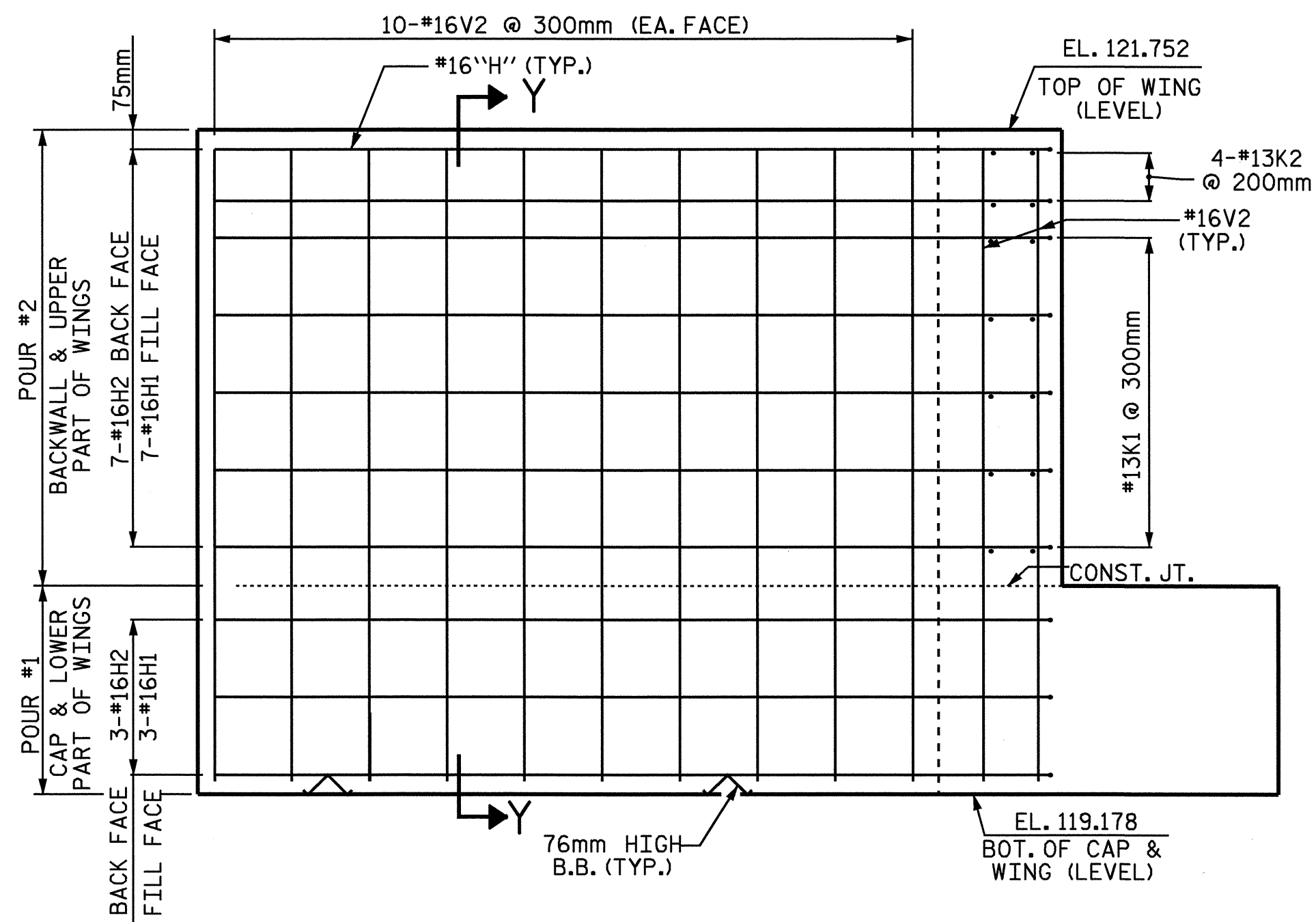


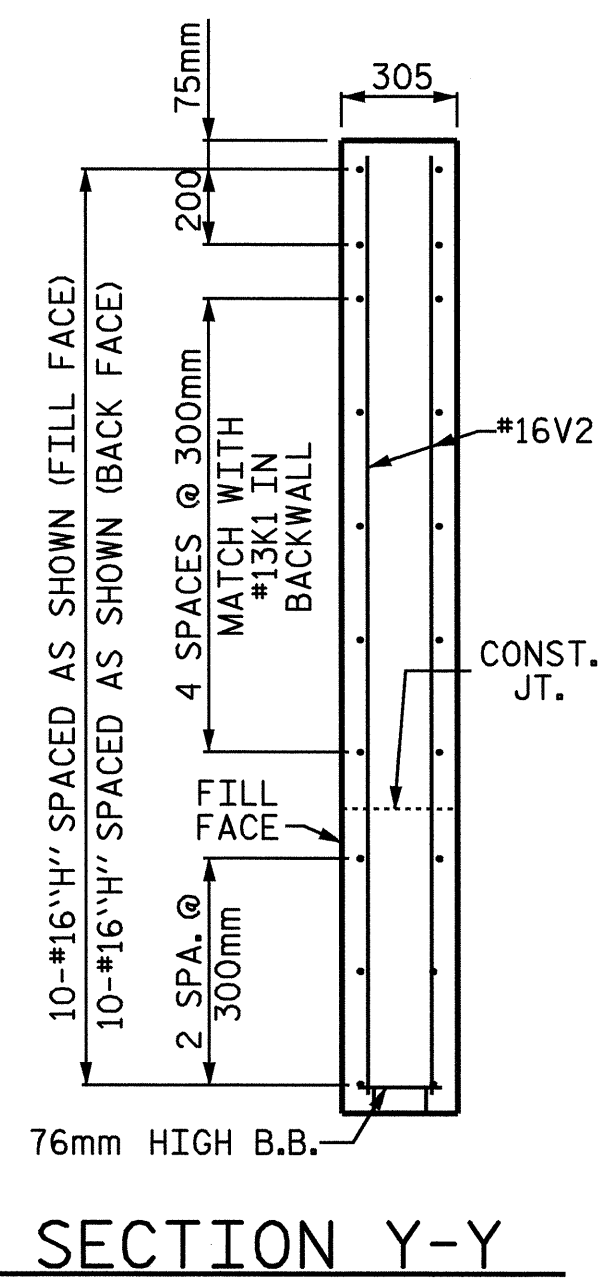
PLAN OF LEFT WING - (W1)



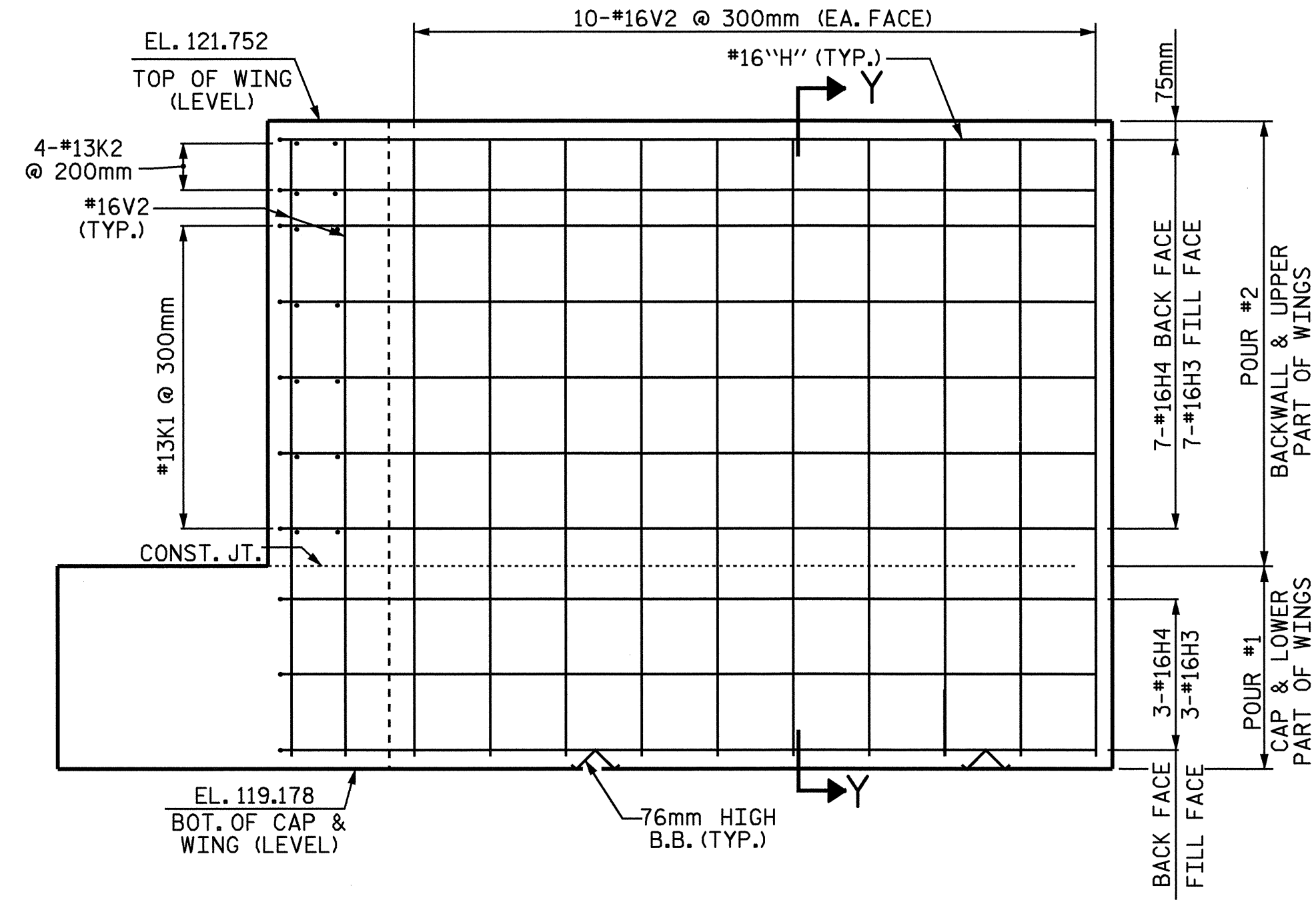
PLAN OF RIGHT WING - (W2)



ELEVATION OF LEFT WING - (W1)



SECTION Y-Y



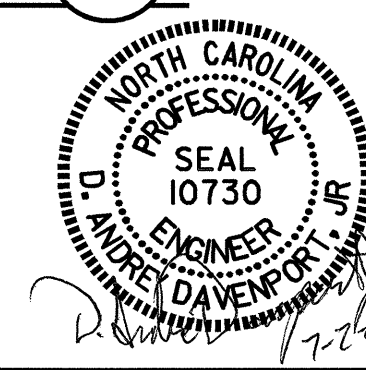
ELEVATION OF RIGHT WING - (W2)

PROJECT NO. R-2610B
 CHATHAM COUNTY
 STATION 22+83.400-L-

SHEET 2 OF 3

STATE OF NORTH CAROLINA
 DEPARTMENT OF TRANSPORTATION
 RALEIGH

SUBSTRUCTURE
 END BENT #2
 WING DETAILS



REVISIONS						SHEET NO.	
NO.	BY:	DATE:	NO.	BY:	DATE:	S-25	
1			3			TOTAL SHEETS	
2			4			60	

02-JUL-2004 11:05
 W:\saled\YR2610B\thbarbour\Microstation\str1concrete\R-2610B.sd.L#_01.dgn
 adavenport

DRAWN BY: H.T. BARBOUR DATE: 5-21-04
 CHECKED BY: S. P. LAM DATE: 6-9-04

STR.#1