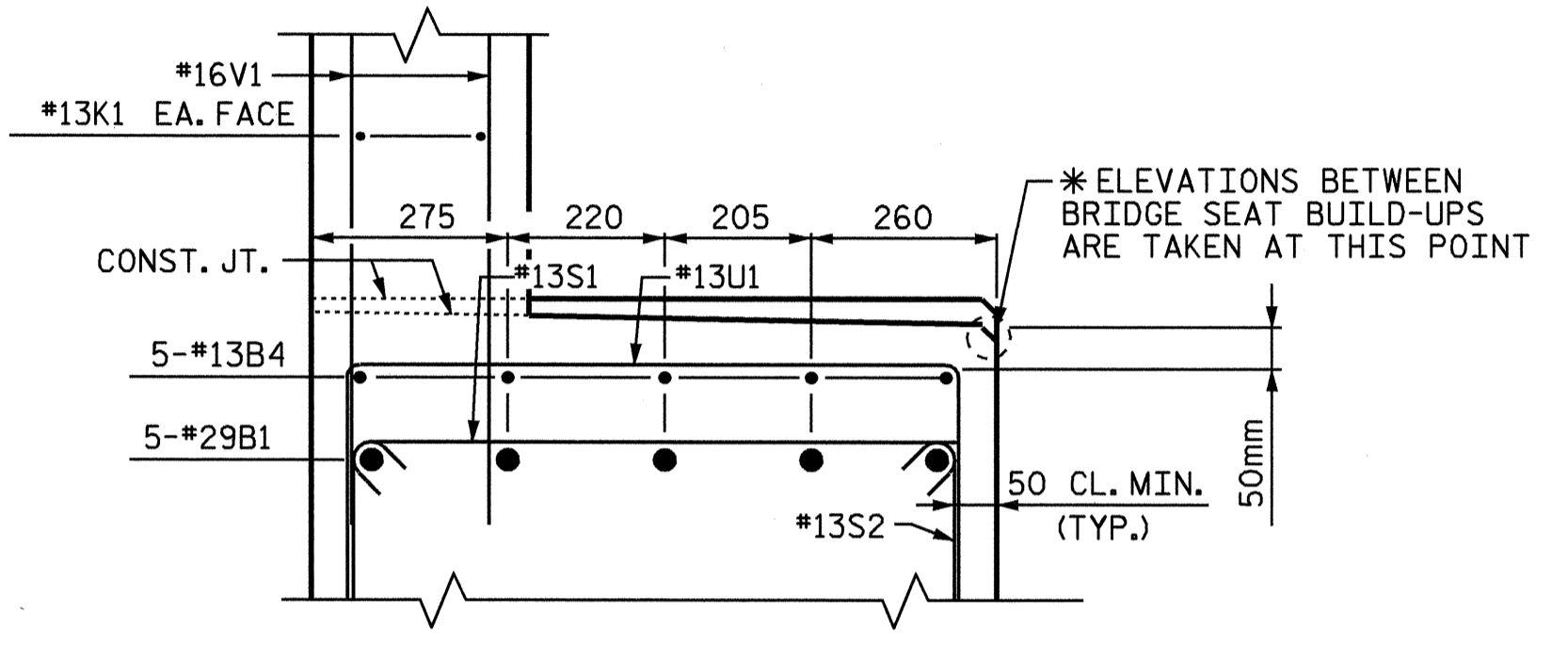


SECTION A-A

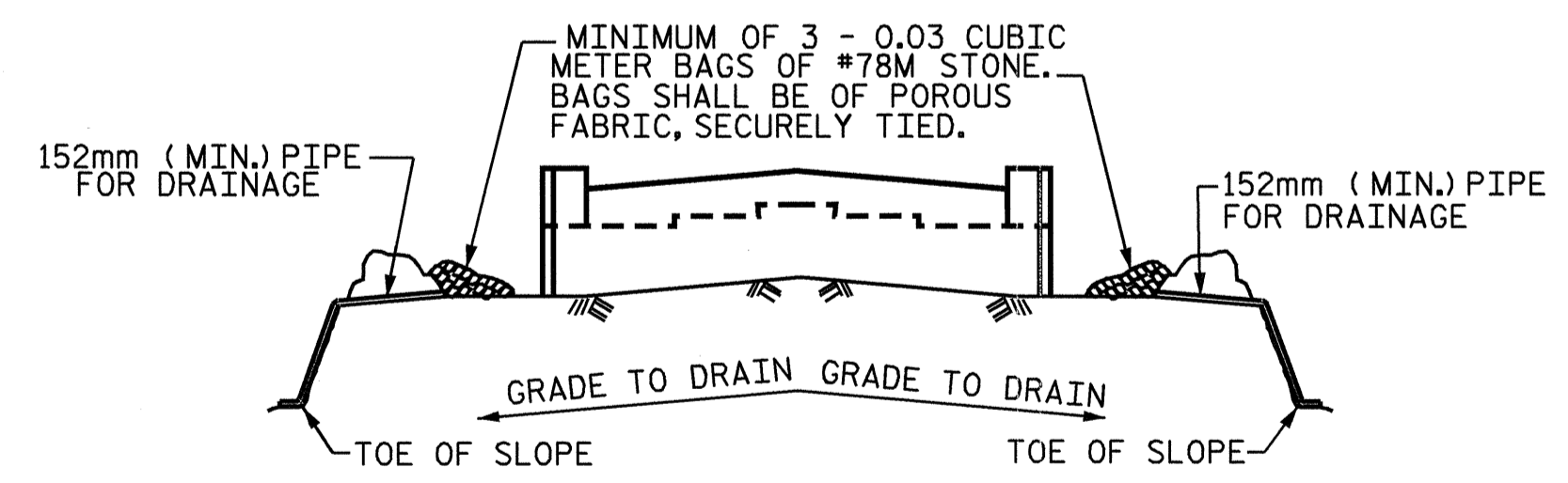


SECTION B-B

BILL OF MATERIAL				
END BENT NO. 2				
BAR NO.	SIZE	TYPE	LENGTH	WEIGHT
B1	10	29	1	15760
B2	16	13	STR.	7900
B3	12	13	STR.	860
B4	10	13	STR.	720
H1	8	16	3	2880
H2	8	16	3	2780
H3	8	16	4	2600
H4	8	16	4	2700
K1	16	13	STR.	7900
K2	8	13	STR.	940
S1	44	13	5	1080
S2	44	13	6	2360
S3	14	13	7	1980
U1	6	13	2	1760
U2	44	13	2	1100
V1	88	16	STR.	1600
V2	52	16	STR.	1980

REINFORCING STEEL	Kgs	1825
CLASS A CONCRETE		
POUR #1		12.8 m ³
POUR #2		6.5 m ³
TOTAL		19.3 m ³
HP310x79 STEEL PILES		
No. 7		28.0 m
STEEL PILE POINTS		
		7 EACH

ALL BAR DIMENSIONS ARE OUT TO OUT.

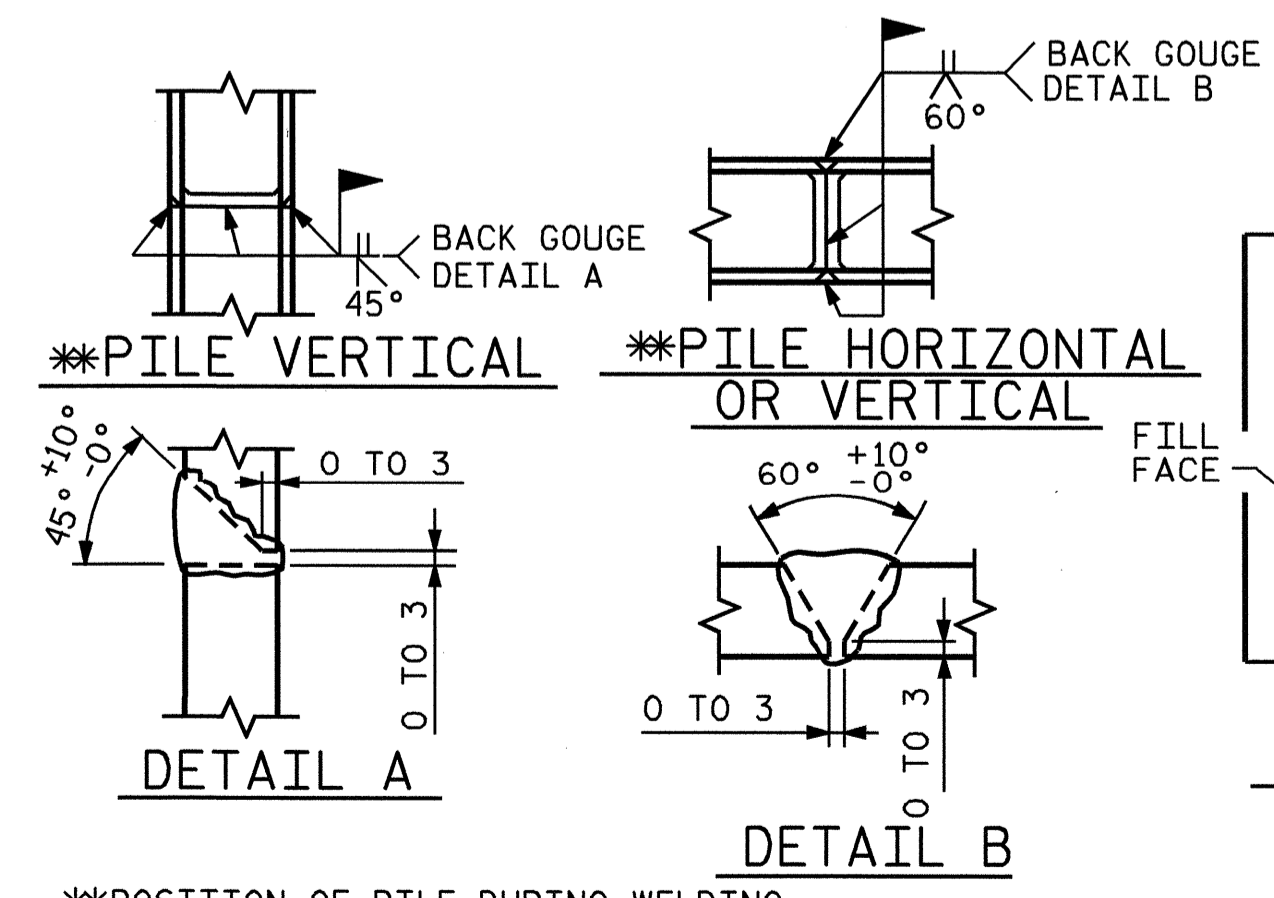


BAGGED STONE AND PIPE SHALL BE PLACED IMMEDIATELY AFTER COMPLETION OF END BENT EXCAVATION. PIPE MAY BE EITHER CONCRETE, CORRUGATED STEEL, CORRUGATED ALUMINUM ALLOY, OR CORRUGATED PLASTIC. PERFORATED PIPE WILL NOT BE ALLOWED.

BAGGED STONE SHALL REMAIN IN PLACE UNTIL THE ENGINEER DIRECTS THAT IT BE REMOVED. THE CONTRACTOR SHALL REMOVE AND DISPOSE OF SILT ACCUMULATIONS AT BAGGED STONE WHEN SO DIRECTED BY THE ENGINEER. BAGS SHALL BE REMOVED AND REPLACED WHENEVER THE ENGINEER DETERMINES THAT THEY HAVE DETERIORATED AND LOST THEIR EFFECTIVENESS.

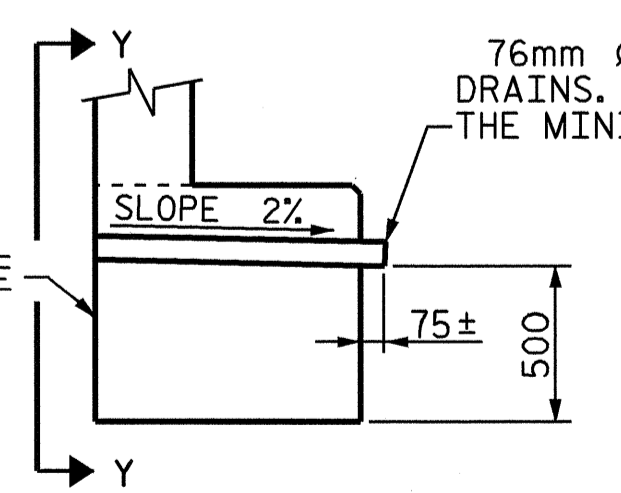
NO SEPARATE PAYMENT WILL BE MADE FOR THIS WORK AND THE ENTIRE COST OF THIS WORK SHALL BE INCLUDED IN THE UNIT CONTRACT PRICE FOR THE SEVERAL PAY ITEMS.

TEMPORARY DRAINAGE AT END BENT

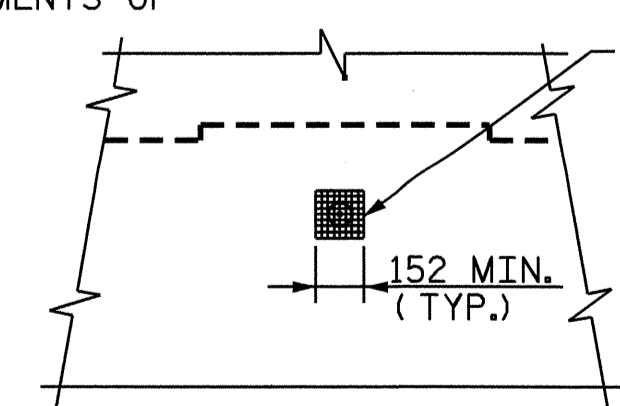


**POSITION OF PILE DURING WELDING.

PILE SPLICE DETAILS



SECTION THRU CAP



VIEW Y-Y

NOTE: NO SEPARATE PAYMENT WILL BE MADE FOR FURNISHING AND INSTALLING THE PVC PLASTIC PIPE DRAINS, HARDWARE CLOTH AND FASTENERS. THE ENTIRE COST OF THIS WORK SHALL BE INCLUDED IN THE UNIT CONTRACT PRICE BID FOR THE SEVERAL PAY ITEMS.

PIPE DRAIN DETAILS

PROJECT NO. R-2610B
 CHATHAM COUNTY
 STATION 97+00.000-L-

SHEET 3 OF 3

STATE OF NORTH CAROLINA
 DEPARTMENT OF TRANSPORTATION
 RALEIGH

SUBSTRUCTURE
 END BENT #2
 DETAILS

REVISIONS						SHEET NO.
NO.	BY:	DATE:	NO.	BY:	DATE:	5-56
1			3			TOTAL SHEETS
2			4			60

I:\FEB-2004\1126\44\Substructure\2610b\adavenvp\1\Microstation\2610b_SD_EBL_2.dgn
 10/03/04 10:26:11

DRAWN BY: D.A. DAVENPORT DATE: 10/03
 CHECKED BY: DATE: 10/03