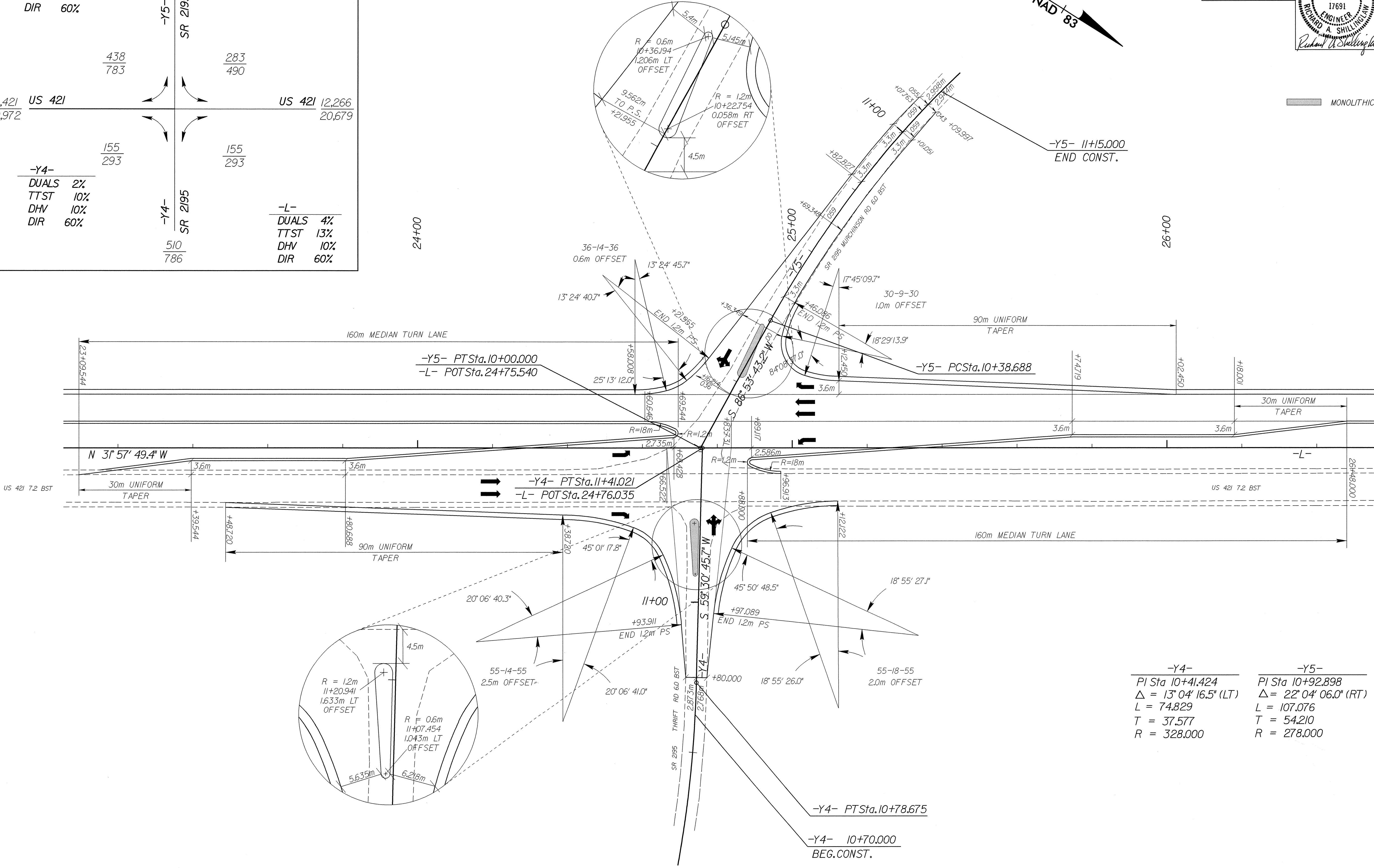
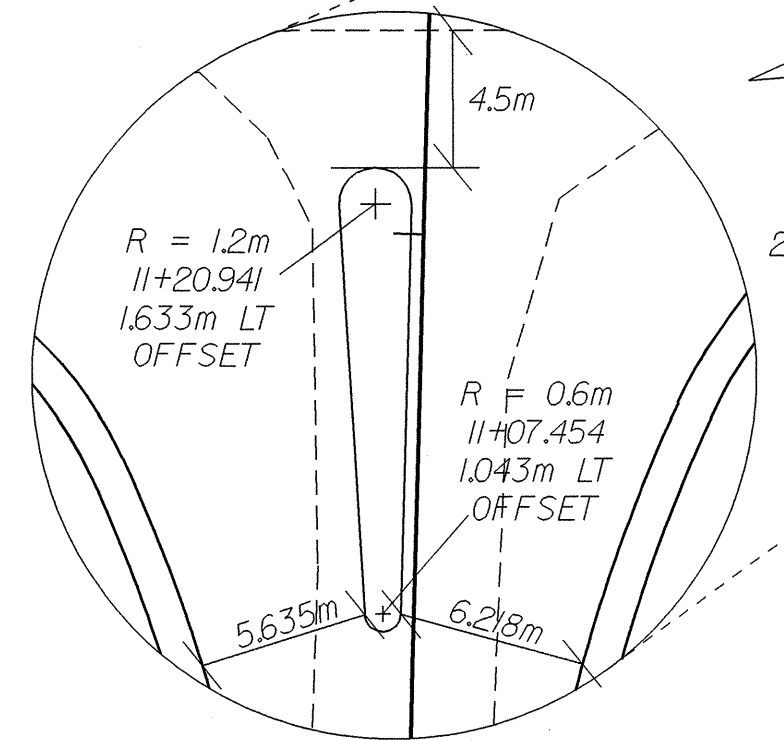
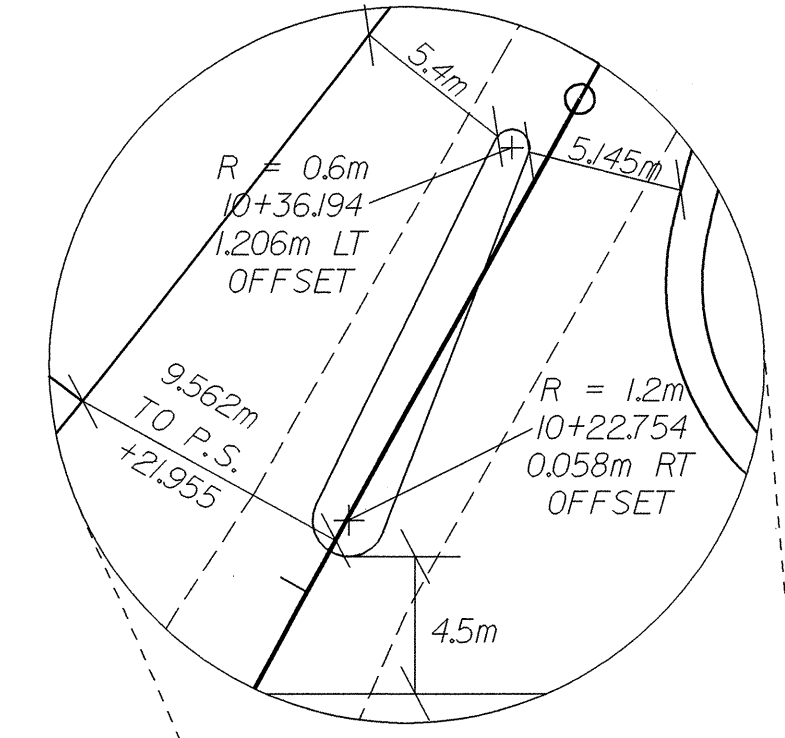
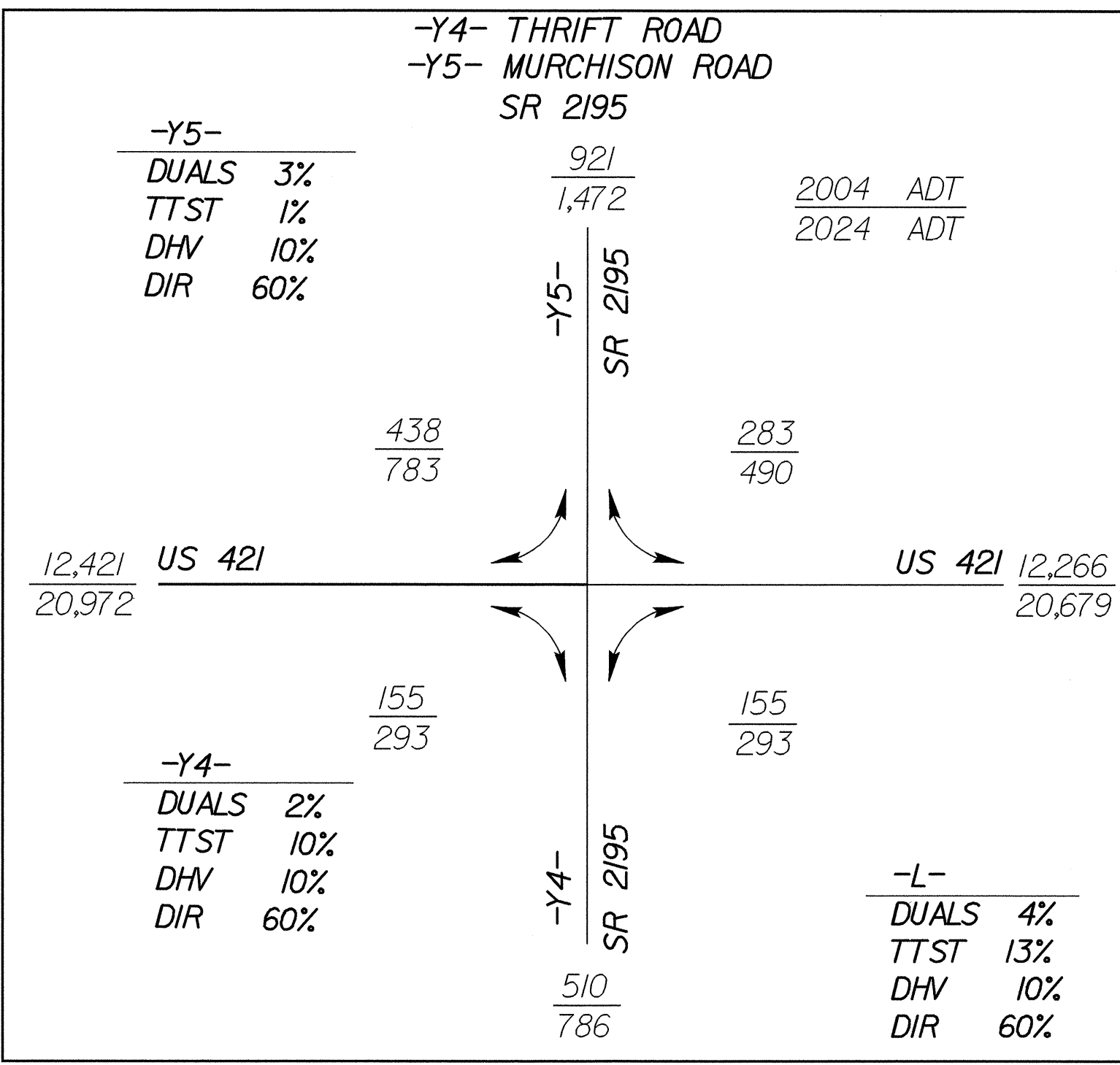
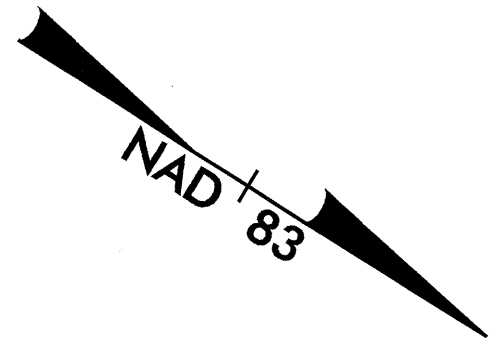


PROJECT REFERENCE NO.	R-2610A	SHEET NO.	2-E
R./W SHEET NO.			
ROADWAY DESIGN ENGINEER	12.11.03		



-Y4-	-Y5-
PI Sta 10+41.424	PI Sta 10+92.898
Δ = 13° 04' 16.5" (LT)	Δ = 22° 04' 06.0" (RT)
L = 74.829	L = 107.076
T = 37.577	T = 54.210
R = 328.000	R = 278.000