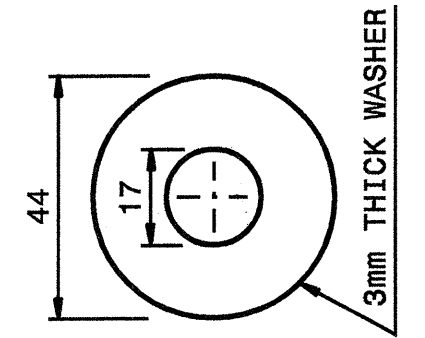
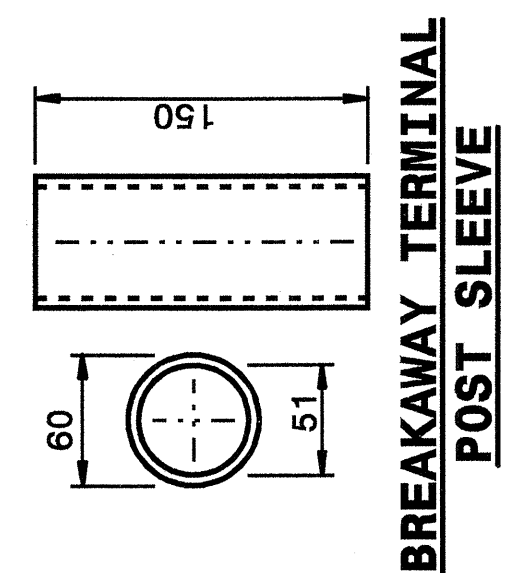


20-MAY-2003 07:54  
 X:\Special\05176510  
 \*sp911 at 05176510  
 c:\pncward\stds\02\stds to Special Details\metric\862d02\0862d02m.dgn

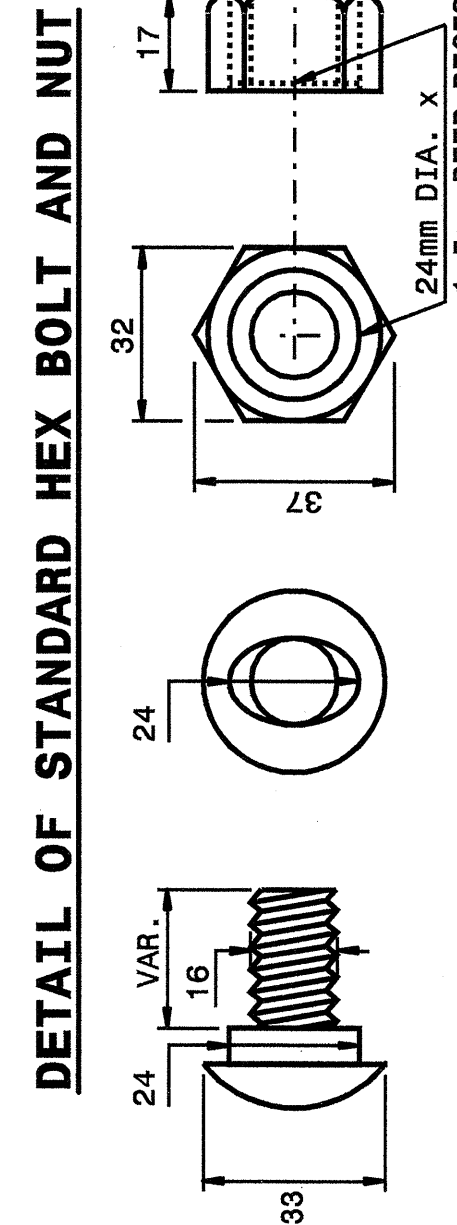
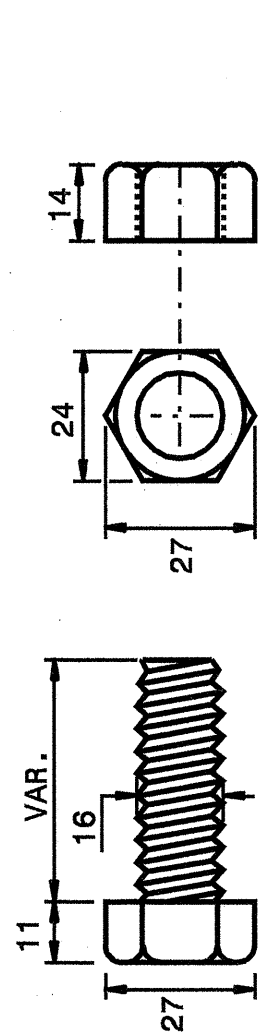
STATE OF  
 NORTH CAROLINA  
 DEPT. OF TRANSPORTATION  
 DIVISION OF HIGHWAYS  
 RALEIGH, N.C.

METRIC DETAIL DRAWING FOR  
**GUARDRAIL INSTALLATION**

SHEET 5 OF 7  
**862D02**

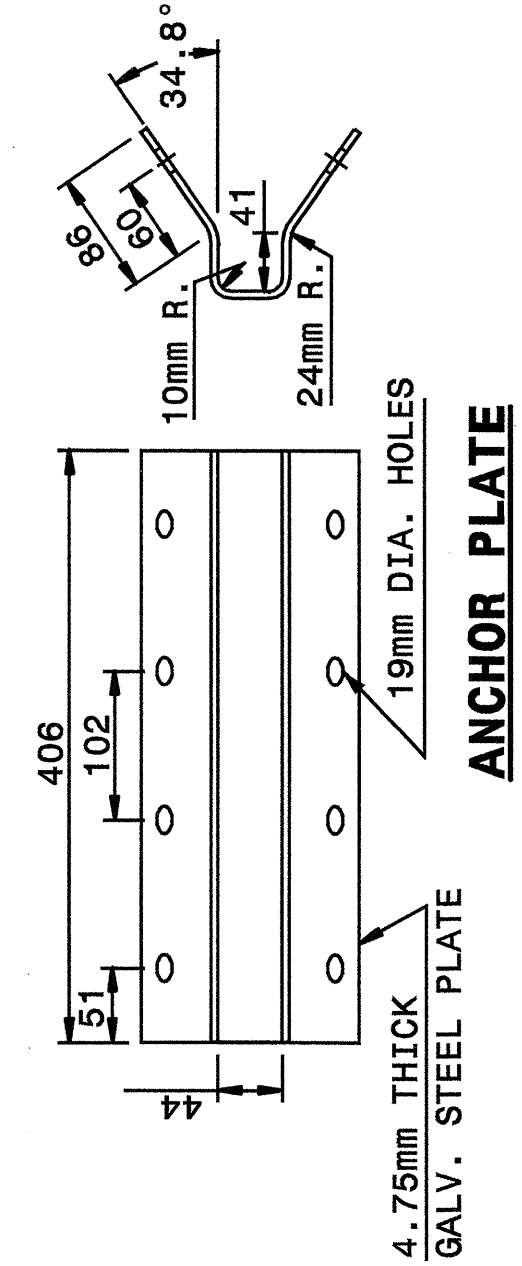
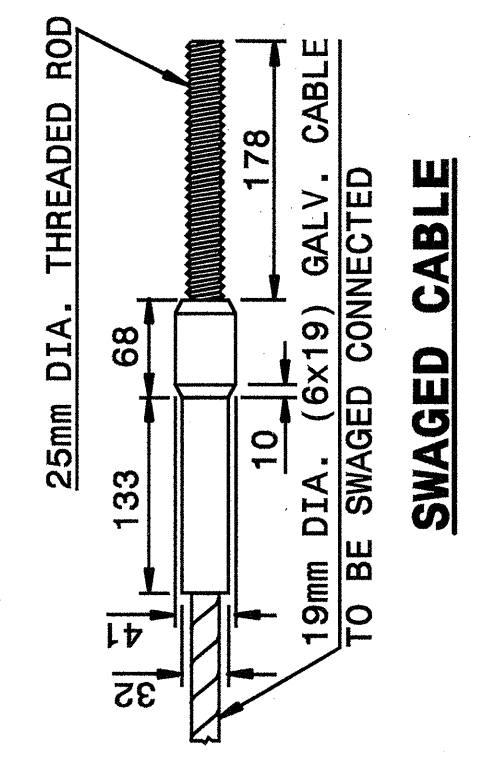
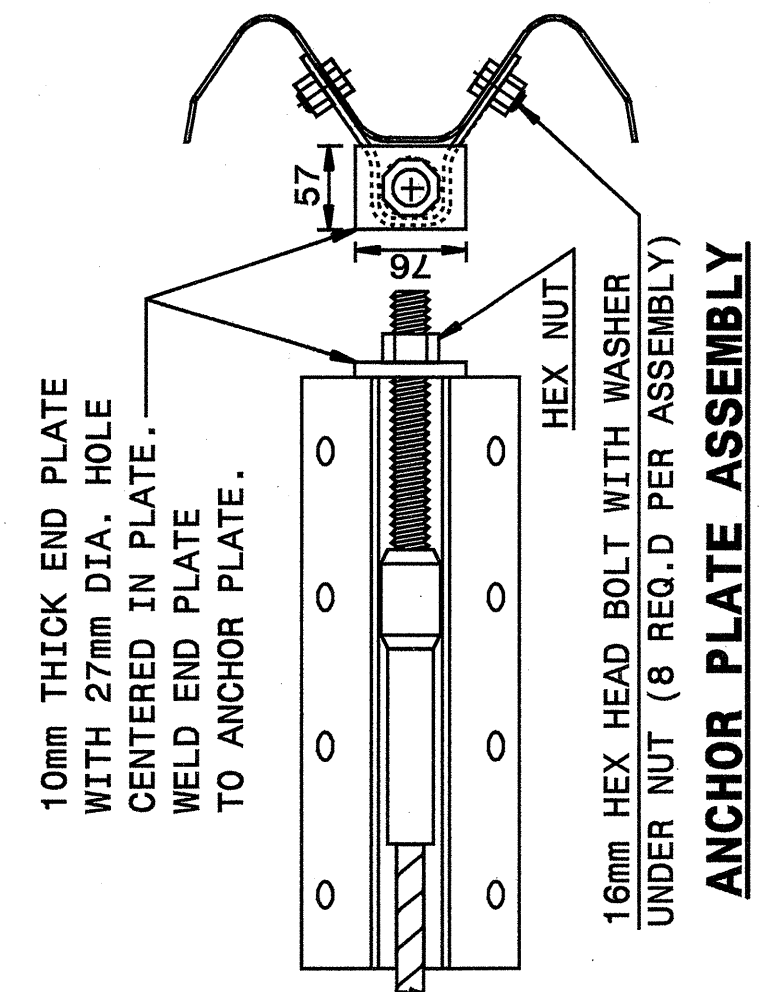


**DETAIL OF STANDARD WASHER**  
 STANDARD WASHER: TYPICAL USE UNDER NUT WITH WOOD POST



Note:  
 This drawing is dimensioned in millimeters unless otherwise depicted within the drawing.

**SYSTEM PARTS**



SHEET 5 OF 7  
**862D02**

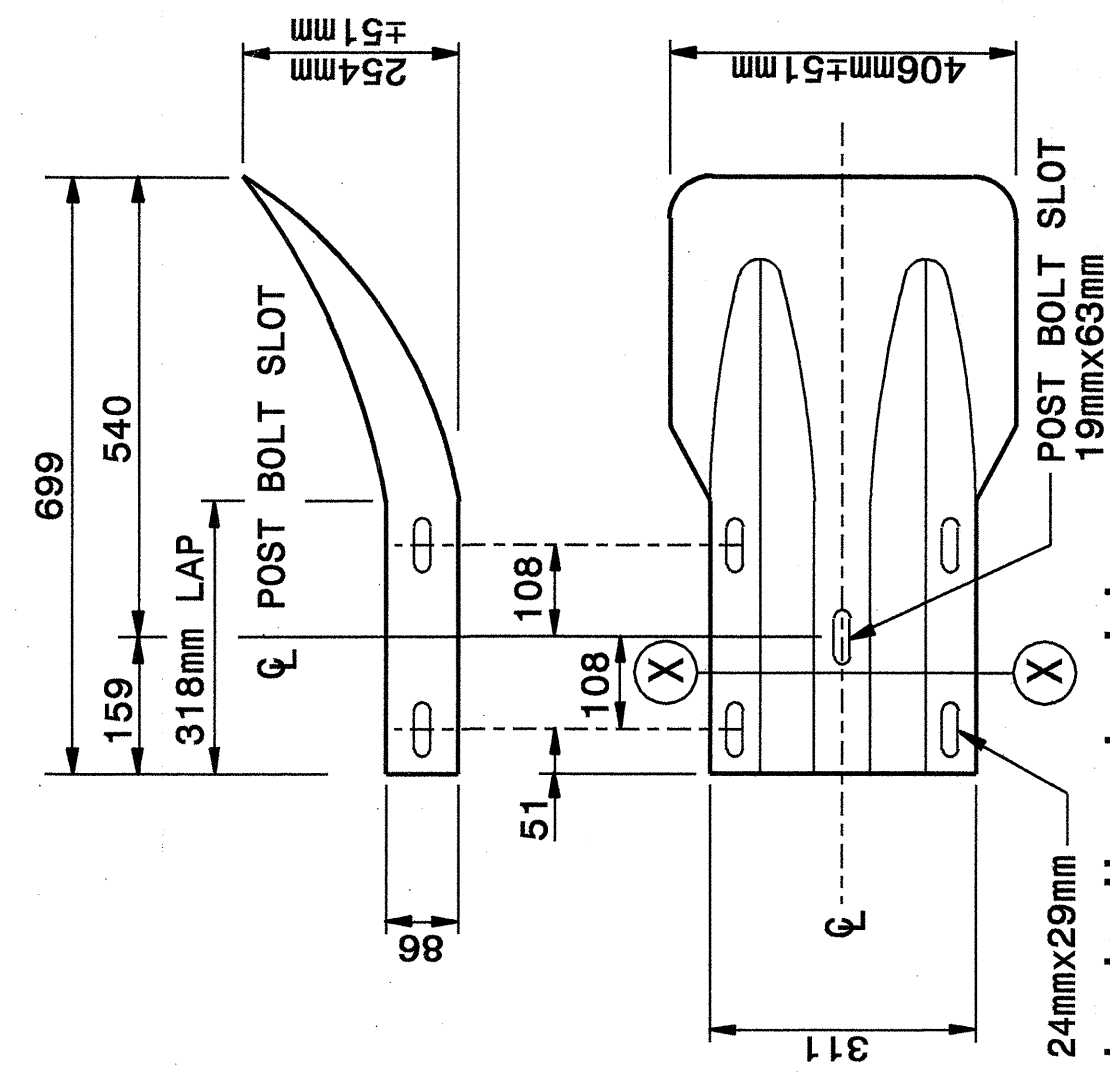
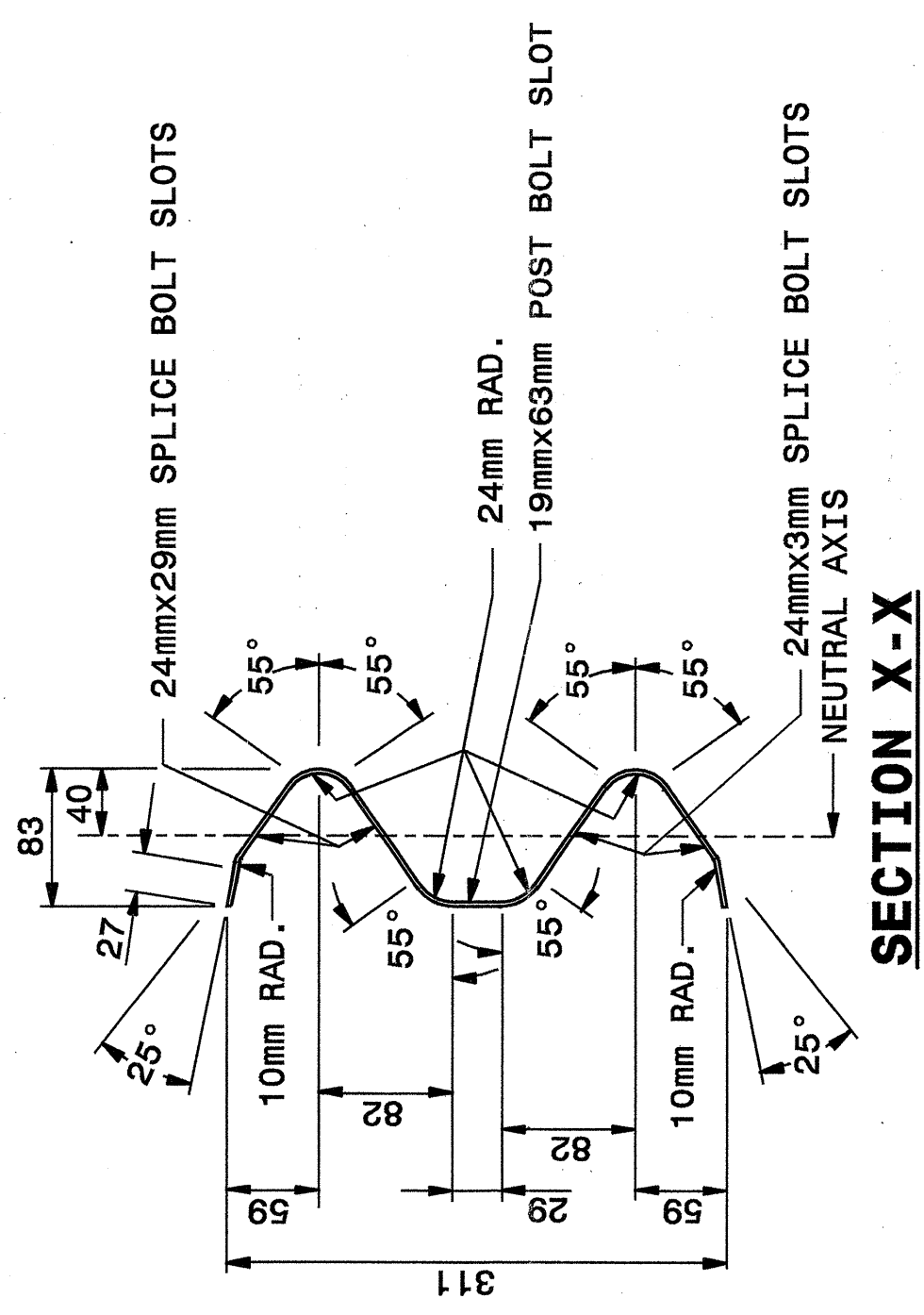
STATE OF  
 NORTH CAROLINA  
 DEPT. OF TRANSPORTATION  
 DIVISION OF HIGHWAYS  
 RALEIGH, N.C.

METRIC DETAIL DRAWING FOR  
**GUARDRAIL INSTALLATION**

STATE OF  
 NORTH CAROLINA  
 DEPT. OF TRANSPORTATION  
 DIVISION OF HIGHWAYS  
 RALEIGH, N.C.

METRIC DETAIL DRAWING FOR  
**GUARDRAIL INSTALLATION**

SHEET 6 OF 7  
**862D02**



Note:  
 This drawing is dimensioned in millimeters unless otherwise depicted within the drawing.

**SYSTEM PARTS - GENERAL USE**

**TYPICAL END SHOE**

STATE OF  
 NORTH CAROLINA  
 DEPT. OF TRANSPORTATION  
 DIVISION OF HIGHWAYS  
 RALEIGH, N.C.

METRIC DETAIL DRAWING FOR  
**GUARDRAIL INSTALLATION**

SHEET 6 OF 7  
**862D02**

DESIGN SERVICES UNIT  
 STANDARDS AND SPECIAL DESIGN  
 Office 919-250-4128 FAX 919-250-4119

**SEE PLATE FOR TITLE**

ORIGINAL BY: 2002 STD. 862.02 DATE:  
 MODIFIED BY: E.E. WARD DATE: 02-09-03  
 CHECKED BY: *[Signature]* DATE: 5-03  
 FILE SPEC.: /usr/stds/02todet/1/metric/862d02/862d02m.dgn

