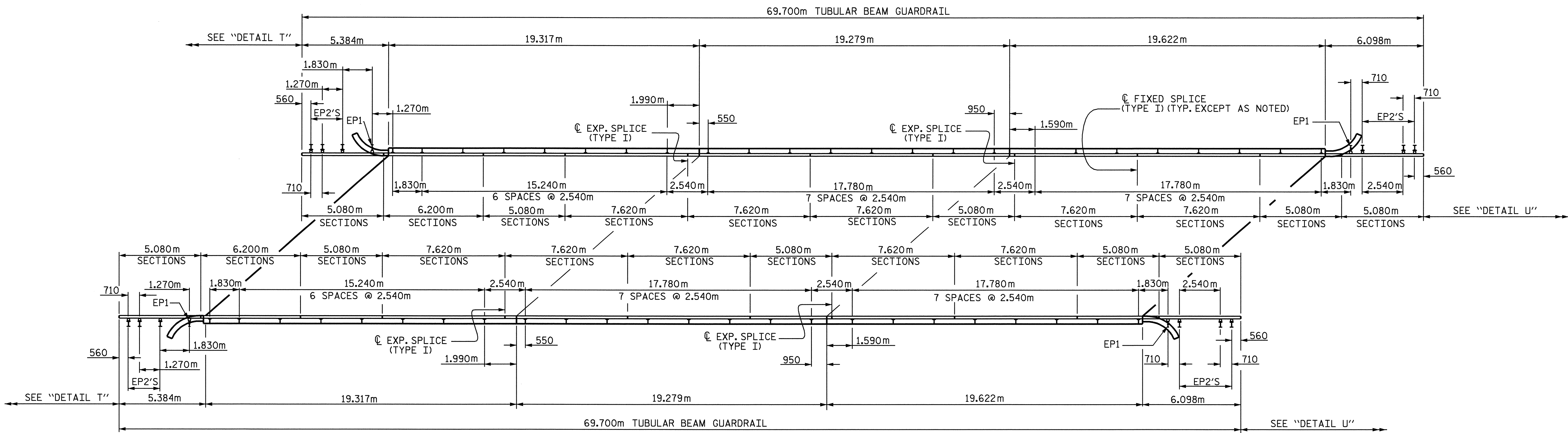
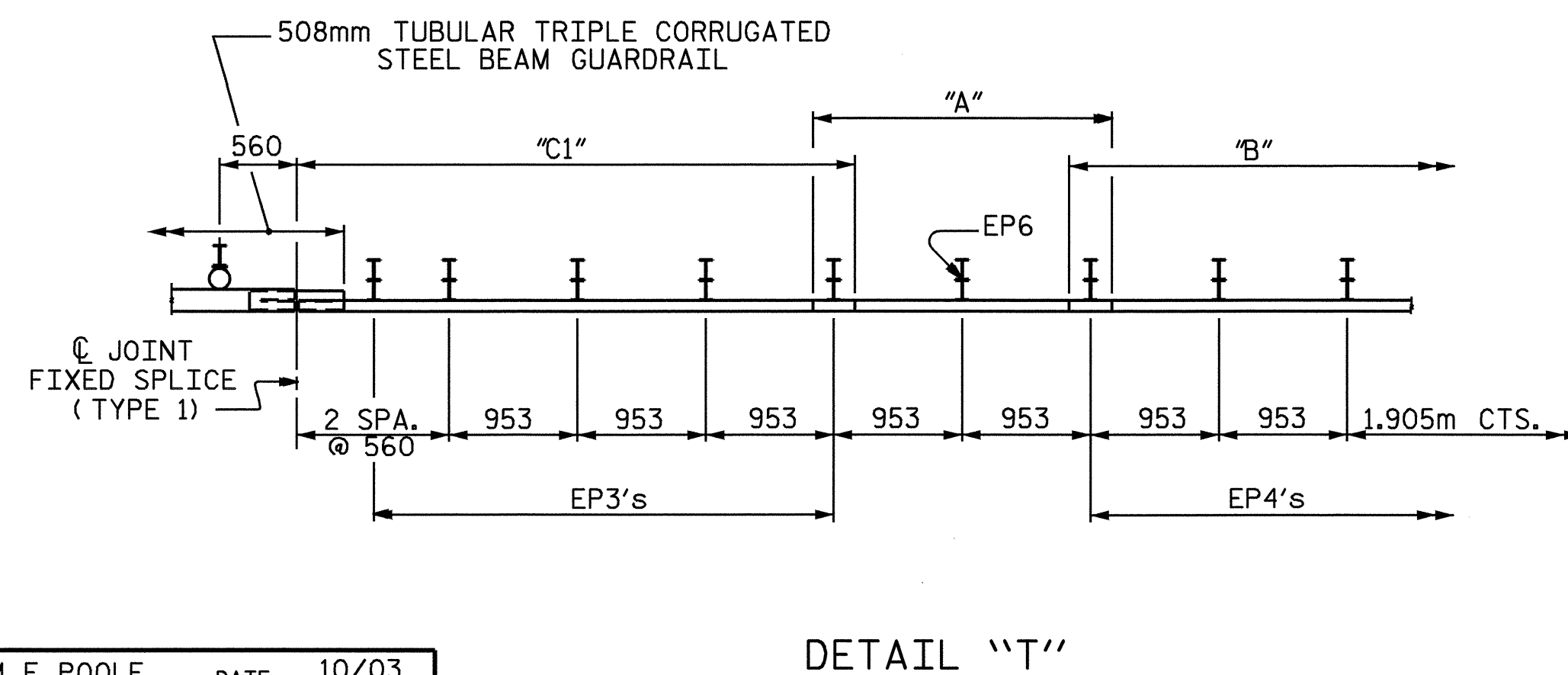
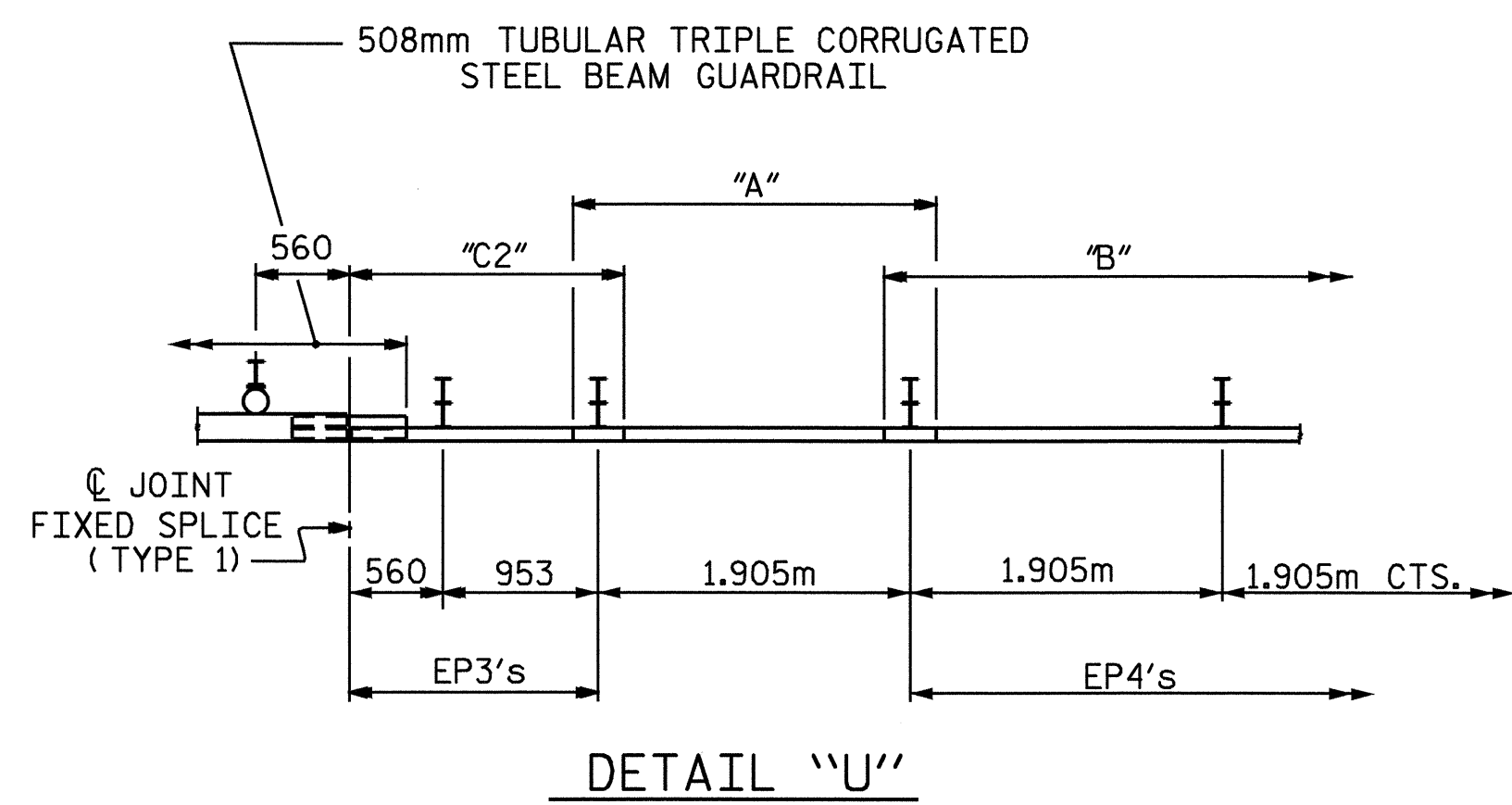


STATE	PROJECT NO.	SHEET NO.	TOTAL SHEETS
N.C.	R-2610A	2-EE	
F.A. PROJECT NO. :			



GUARDRAIL LAYOUT
NORTHBOUND LANE



LEGEND

	USE BP1
	USE EP1
	USE EP2
	USE EP3 (EXCEPT AS NOTED)
	USE W-TR GUARDRAIL TRANSITIONAL SECTION
	USE STANDARD GUARDRAIL
	USE 508mm TRIPLE CORRUGATED STEEL BEAM GUARDRAIL
	USE 508mm TRIPLE CORRUGATED STEEL BEAM GUARDRAIL

PROJECT NO. R-2610A
CHATHAM COUNTY

STATION: _____
SHEET 2 OF 6 BRIDGE NO. 26

STATE OF NORTH CAROLINA DEPARTMENT OF TRANSPORTATION RALEIGH					
DETAILS FOR RETROFIT OF EXISTING BRIDGE WITH TUBULAR BEAM GUARDRAIL US 421 (NBL) OVER -Y6- (NORFOLK & SOUTHERN RAILROAD)					
REVISIONS					
NO.	BY:	DATE:	NO.	BY:	DATE:
1			3		
2			4		
SHEET NO.					TOTAL SHEETS

JOHN R. DUGGINS
 ENGINEER
 11/3/03

DRAWN BY : M. E. POOLE DATE : 10/03
CHECKED BY : J.R. DUGGINS DATE : 10/03