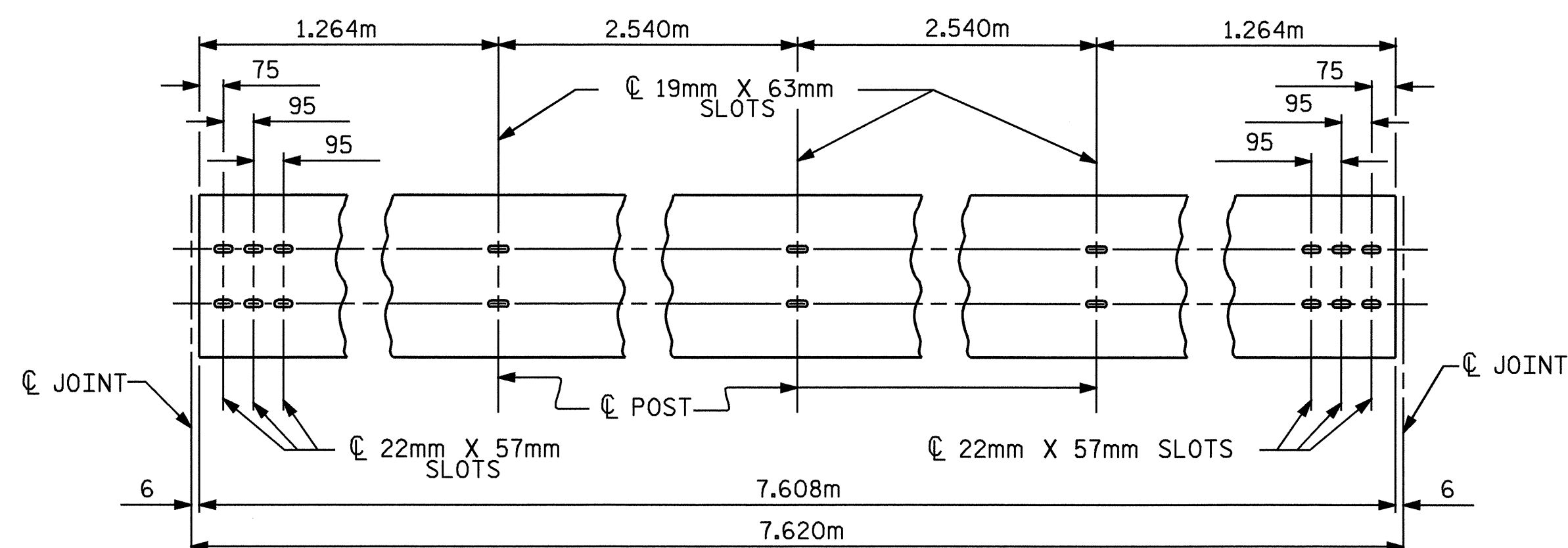
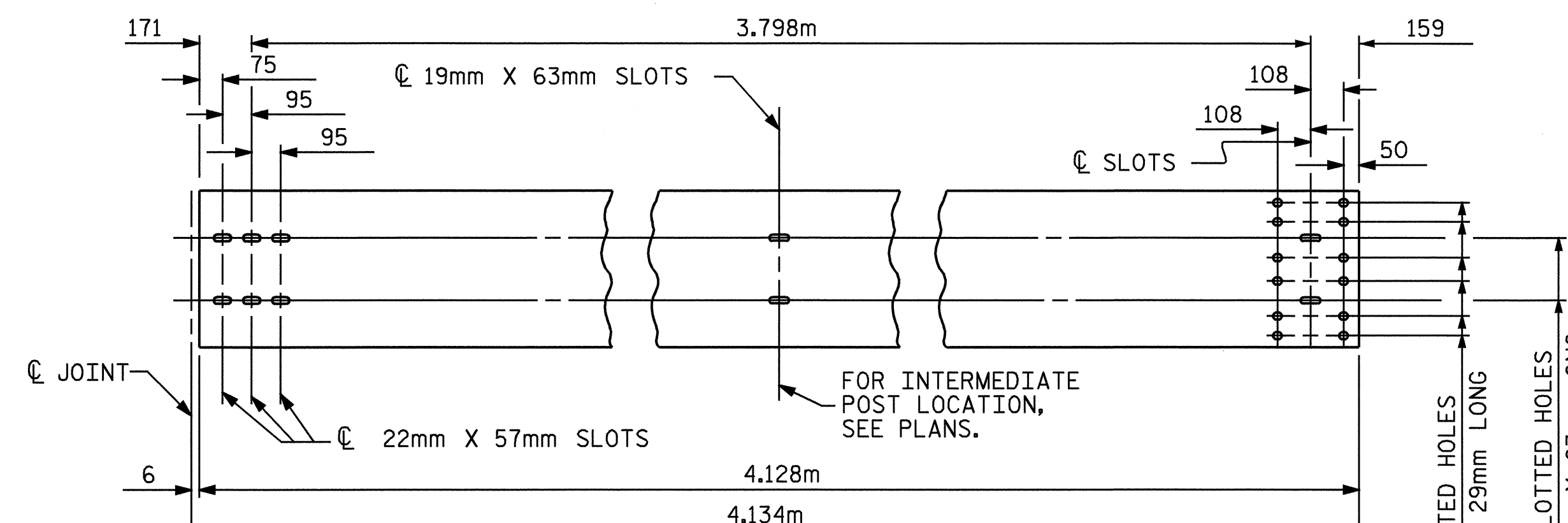


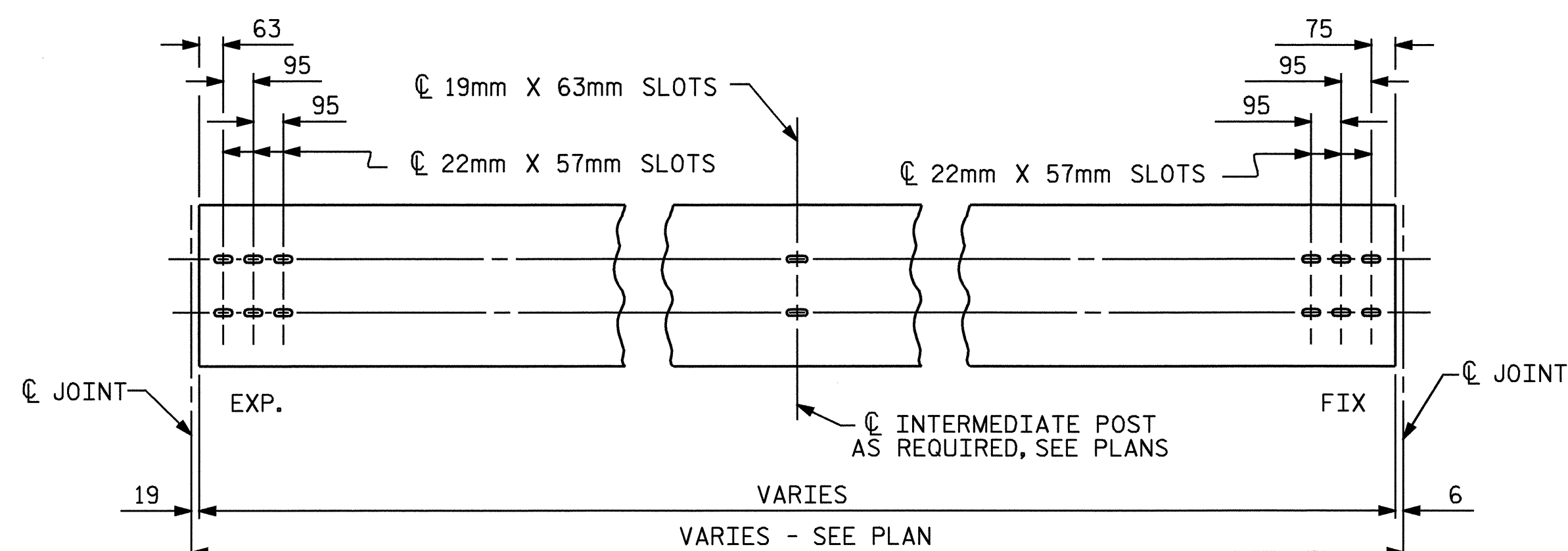
STATE	PROJECT NO.	SHEET NO.	TOTAL SHEETS
N. C.	R-2610A	2-HH	
F. A. PROJ. NO.			



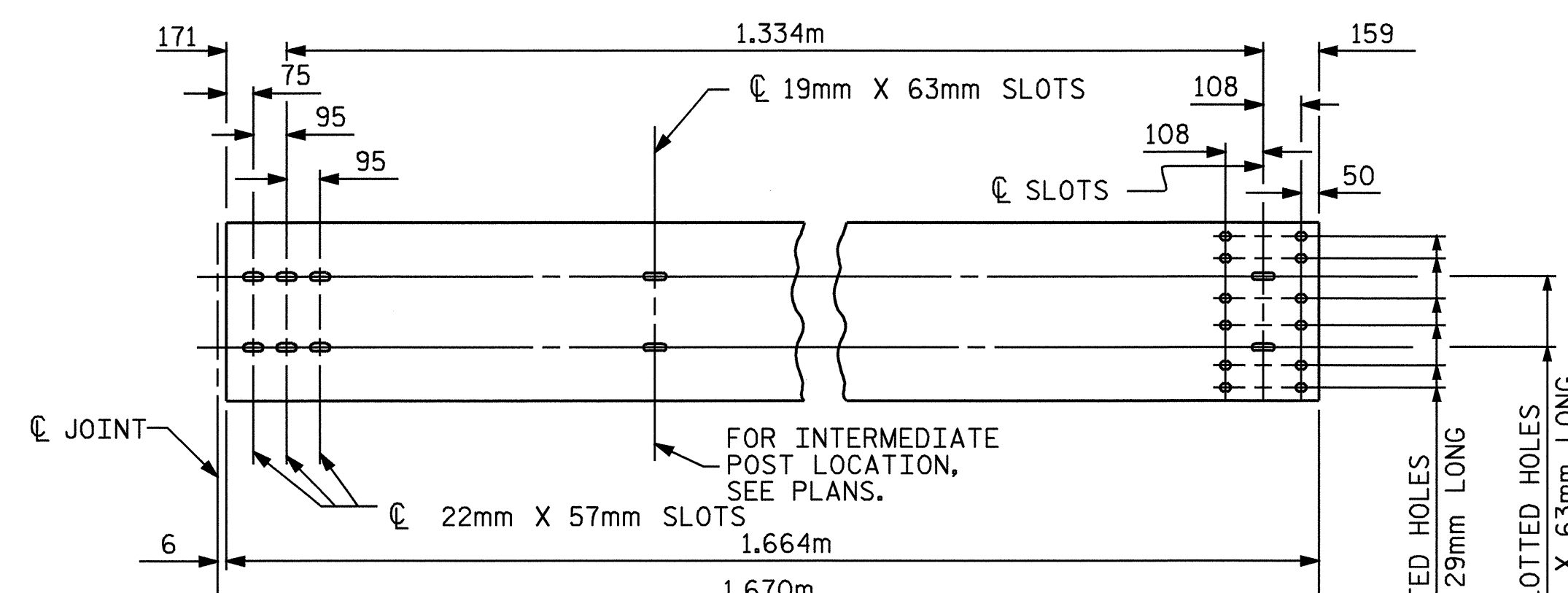
**ELEVATION TUBULAR BEAM
STANDARD RAIL**



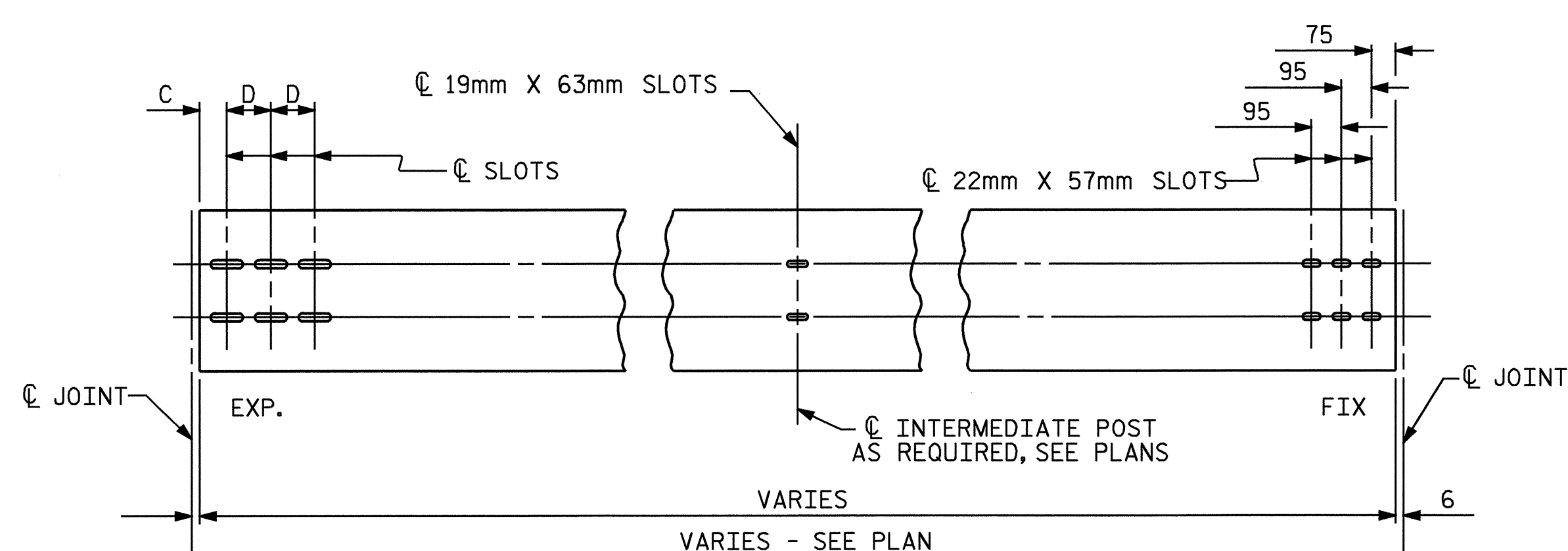
**508mm TRIPLE CORRUGATED STEEL
BEAM GUARDRAIL - "C1"**



**ELEVATION TUBULAR BEAM
EXPANSION RAIL FOR TYPE 1 SPLICE**

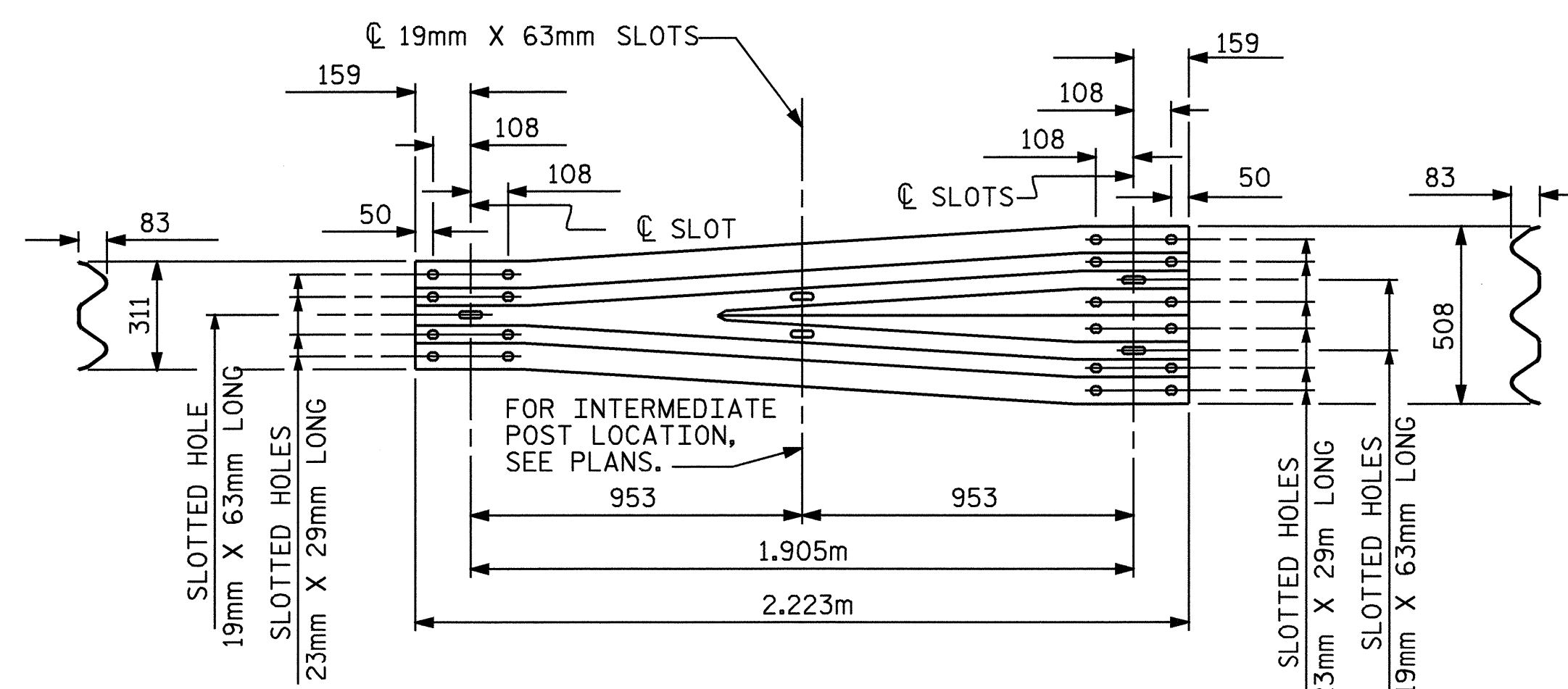


**508mm TRIPLE CORRUGATED STEEL
BEAM GUARDRAIL - "C2"**



**ELEVATION TUBULAR BEAM
EXPANSION RAIL FOR TYPE 2 THRU 5 SPLICE**

NOTE : FOR DIM.'S. "B", "C", "D", & "SLOT SIZE", SEE "TABLE 1", SHEET 4 OF 4 .



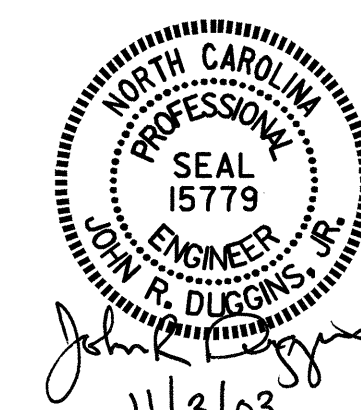
W-TR GUARDRAIL TRANSITIONAL SECTION

PROJECT NO. R-2610A
CHATHAM COUNTY

STATION: _____

SHEET 5 OF 6

STATE OF NORTH CAROLINA
DEPARTMENT OF TRANSPORTATION
RALEIGH
**DETAILS FOR RETROFIT
OF EXISTING BRIDGE
RAIL WITH TUBULAR
BEAM GUARDRAIL**



ASSEMBLED BY : M.E. POOLE	DATE : 10/03	SPECIAL
CHECKED BY : J.R. DUGGINS	DATE : 10/03	
DRAWN BY : N.M. RUFFIN	DATE : 5/88	STANDARD
CHECKED BY :	DATE :	

03-NOV-2003 14:58
W:\squad2\R-2610\m\poole\Microstation\R2610A_sd_RF_01.dgn
mpoole

REVISIONS						SHEET NO.
NO.	BY:	DATE:	NO.	BY:	DATE:	TOTAL SHEETS
1			3			
2			4			

GAR2.RRF