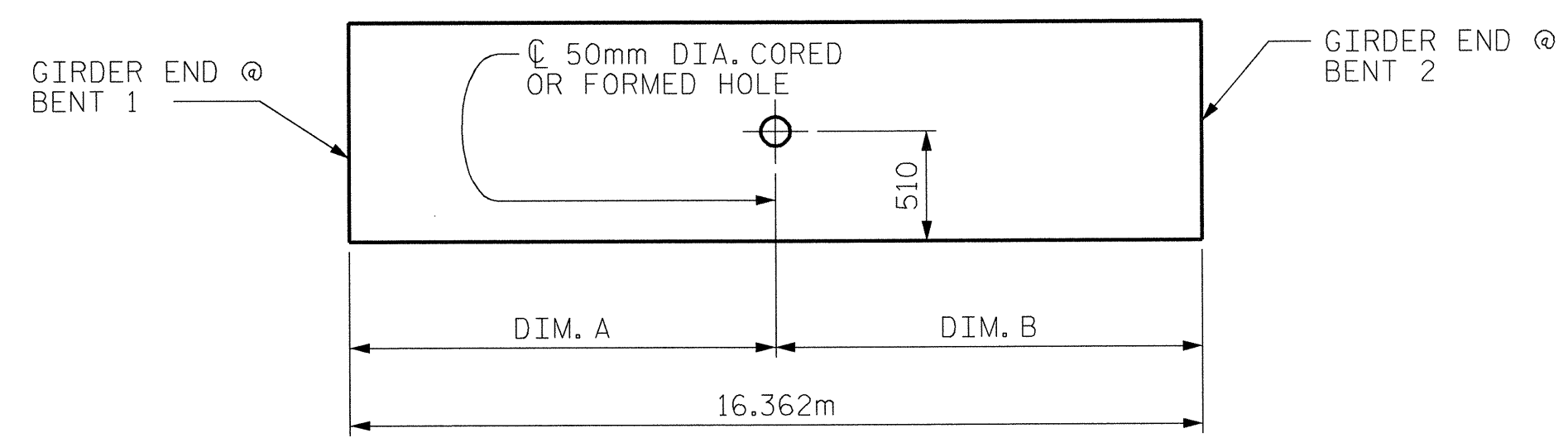


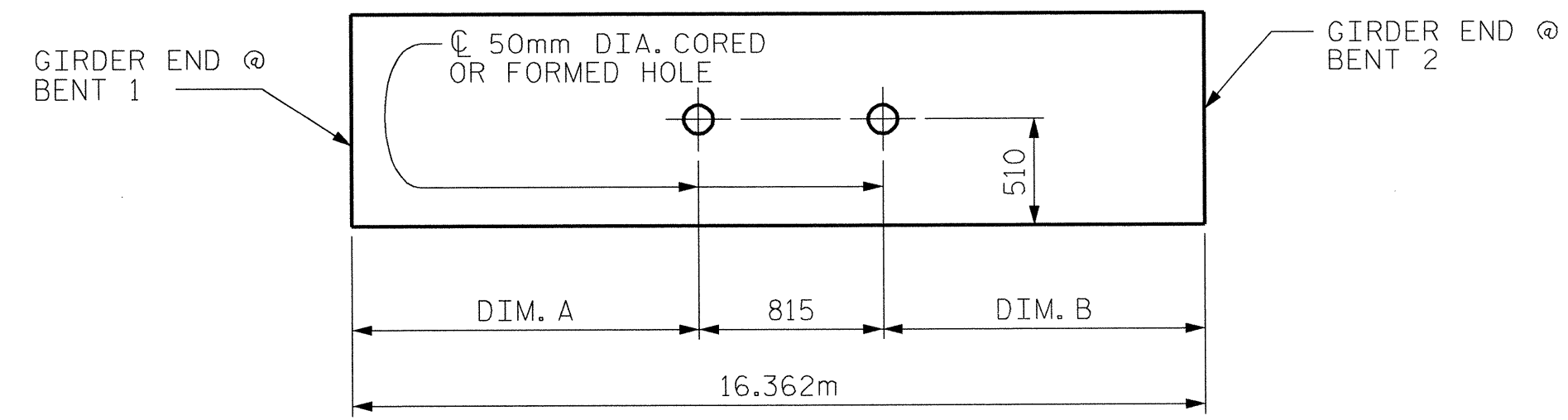
FRAMING PLAN AND INTERMEDIATE DIAPHRAGM LOCATIONS

ANGLES					
MARK	ANGLE	MARK	ANGLE	MARK	ANGLE
1	100°-00'-31"	7	99°-12'-44"	13	98°-23'-47"
2	100°-02'-01"	8	99°-14'-07"	14	98°-25'-02"
3	100°-03'-31"	9	99°-15'-30"	15	98°-26'-18"
4	100°-05'-02"	10	99°-16'-53"	16	98°-27'-34"
5 *	100°-06'-04"	11 *	99°-17'-50"	17 *	98°-28'-26"
6	100°-06'-33"	12	99°-18'-17"	18	98°-28'-50"

* TO SHORT CHORD



GIRDERS B1, B2, B4 & B5

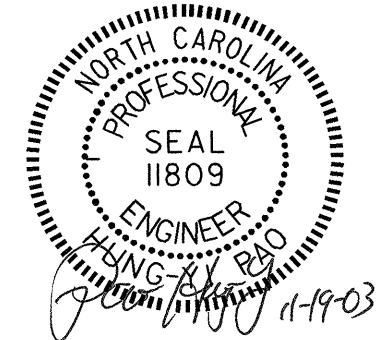


GIRDER B3

GIRDER ELEVATIONS

GIRDER	DIM. A	DIM. B
B1	7.775m	8.587m
B2	8.181m	8.181m
B3	7.772m	7.775m
B4	8.181m	8.181m
B5	8.590m	7.772m

PROJECT NO. R-2610A
CHATHAM COUNTY
 STATION: 18+04.666 -L-



STATE OF NORTH CAROLINA
 DEPARTMENT OF TRANSPORTATION
 RALEIGH
 SUPERSTRUCTURE
 FRAMING PLAN
 (LEFT LANE BRIDGE)

REVISIONS						SHEET NO.
NO.	BY:	DATE:	NO.	BY:	DATE:	TOTAL SHEETS
1			3			5-10
2			4			82

Stantec
 Stantec Consulting Services Inc.
 Suite 300, 801 Jones Franklin Road
 Raleigh, NC 27606
 Tel. 919.851.6866
 Fax. 919.851.7024
 www.stantec.com

DRAWN BY: M. J. OSTRISHKO DATE: 7-18-03
 CHECKED BY: H. PAO DATE: 9-19-03