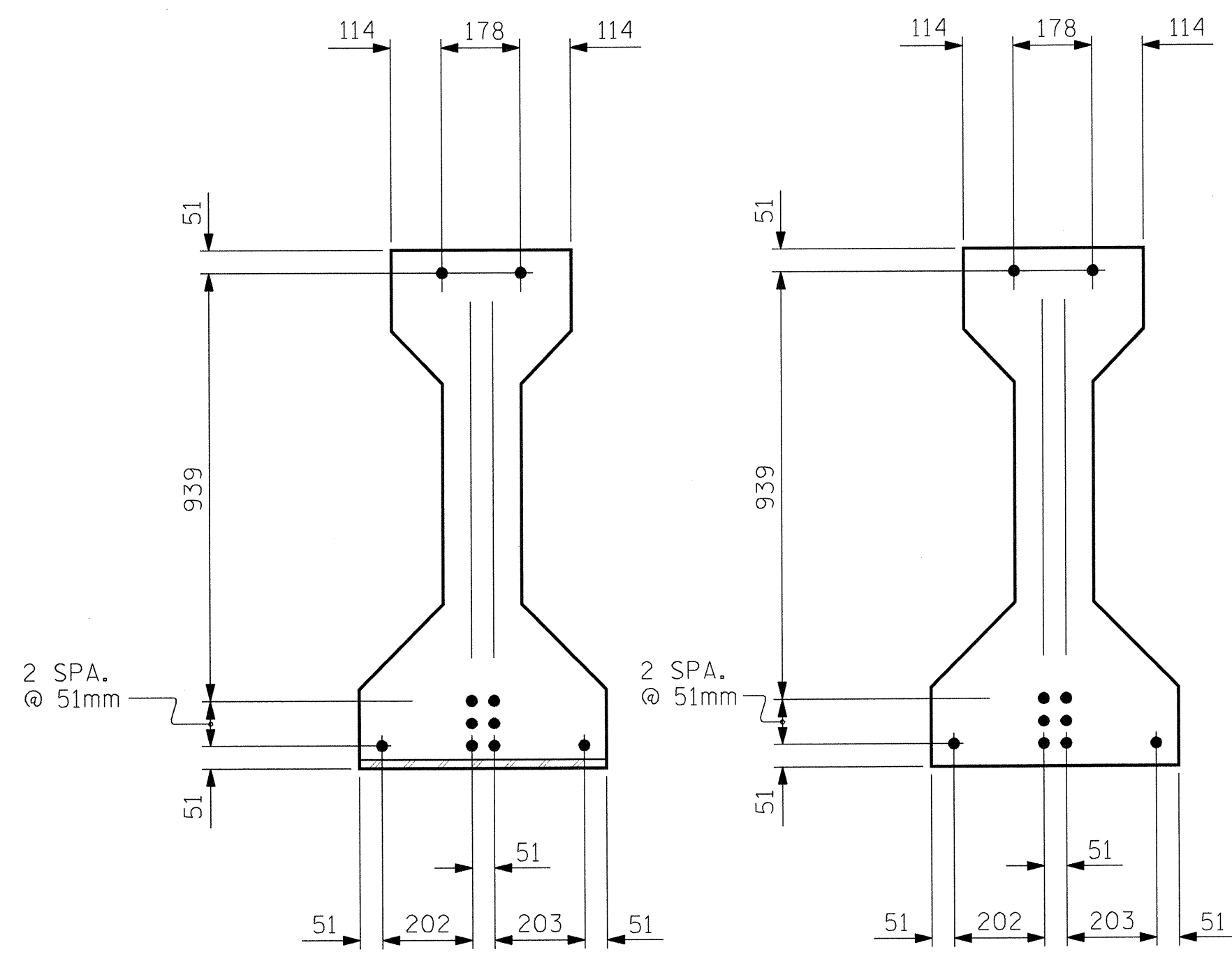


SECTION A-A

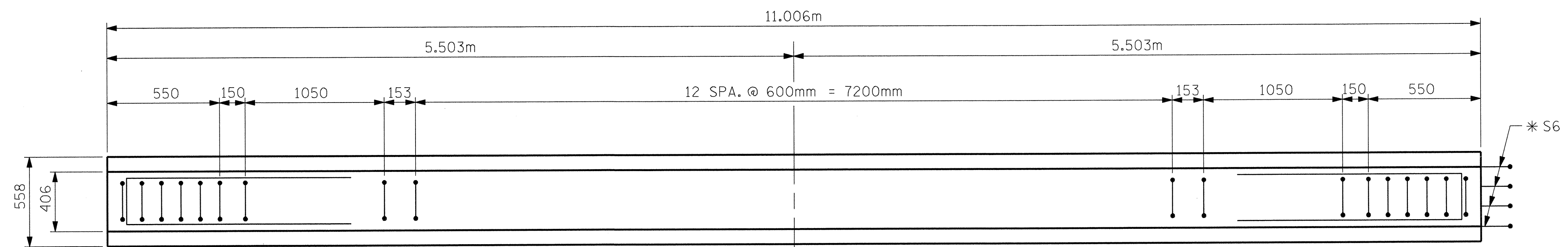
SECTION B-B



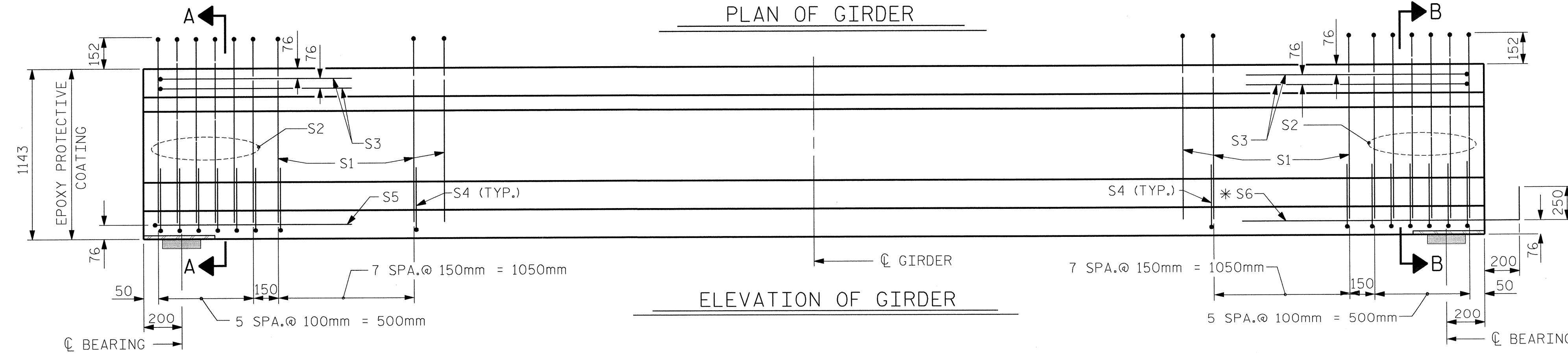
AT END OF GIRDER

AT C OF GIRDER

12.70mm Ø LOW RELAXATION STRAND LAYOUT



PLAN OF GIRDER



ELEVATION OF GIRDER

EXP

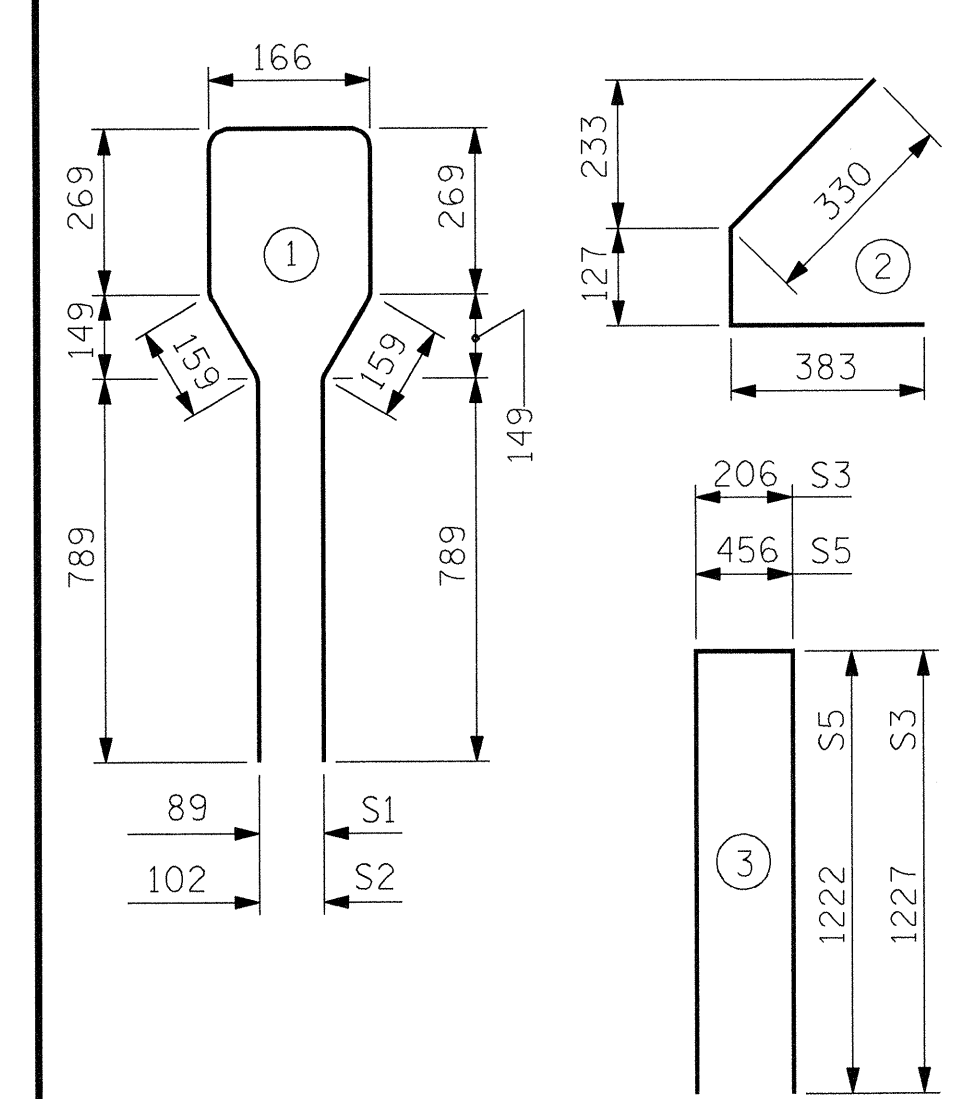
FIX

12.70mm Ø L. R. GRADE 270 STRANDS		
AREA (mm <sup>2</sup> )	ULTIMATE STRENGTH (kN PER STRAND)	APPLIED PRESTRESS (kN PER STRAND)
98.71	183.7	137.8

REINFORCING STEEL FOR ONE GIRDER					
BAR	NUMBER	SIZE	TYPE	LENGTH	WEIGHT
S1	29	#13	1	2600	75
S2	12	#19	1	2600	70
S3	4	#13	3	2660	11
S4	56	#13	2	840	47
S5	1	#13	3	2900	3
*S6	4	#16	STR	1120	7

\* NOTE: S6 BARS SHALL BE BENT BEFORE SHIPMENT. HEAT BENDING SHALL NOT BE ALLOWED.

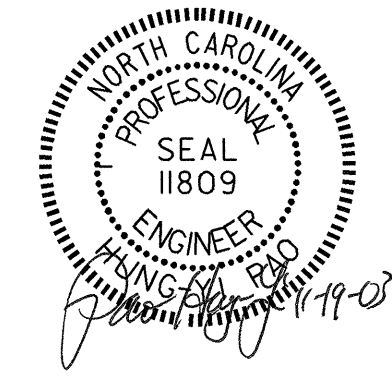
BAR TYPES  
 ALL BAR DIMENSIONS ARE OUT-TO-OUT



QUANTITIES FOR ONE GIRDER			
	REINFORCING STEEL	34.5 MPa CONCRETE	12.70mm Ø L.R. STRANDS
	kg	m <sup>3</sup>	No.
SPAN A	213	4.0	10

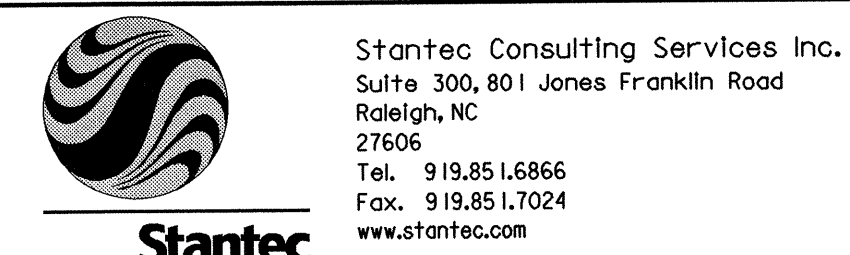
GIRDERS REQUIRED		
NUMBER	LENGTH	TOTAL LENGTH
5	11.006m	55.030m

PROJECT NO. R-2610A  
 CHATHAM COUNTY  
 STATION: 18+04.666 -L-



STATE OF NORTH CAROLINA  
 DEPARTMENT OF TRANSPORTATION  
 RALEIGH  
 SUPERSTRUCTURE  
 AASHTO TYPE III  
 PRESTRESSED CONCRETE GIRDER  
 CONTINUOUS FOR LIVE LOAD  
 SPAN A  
 (LEFT LANE BRIDGE)

REVISIONS						SHEET NO.	
NO.	BY:	DATE:	NO.	BY:	DATE:	5-11	
1			3			TOTAL SHEETS	
2			4			82	



ASSEMBLED BY : M. J. OSTRISHKO	DATE : 7-10-03
CHECKED BY : H. PAO	DATE : 9-19-03
DRAWN BY : ELR 8/91	REV. 5/16/97 EEM/RGW
CHECKED BY : GRP 8/91	REV. 7/17/98 RWW/LES
	REV. 10/17/00 RWW/LES