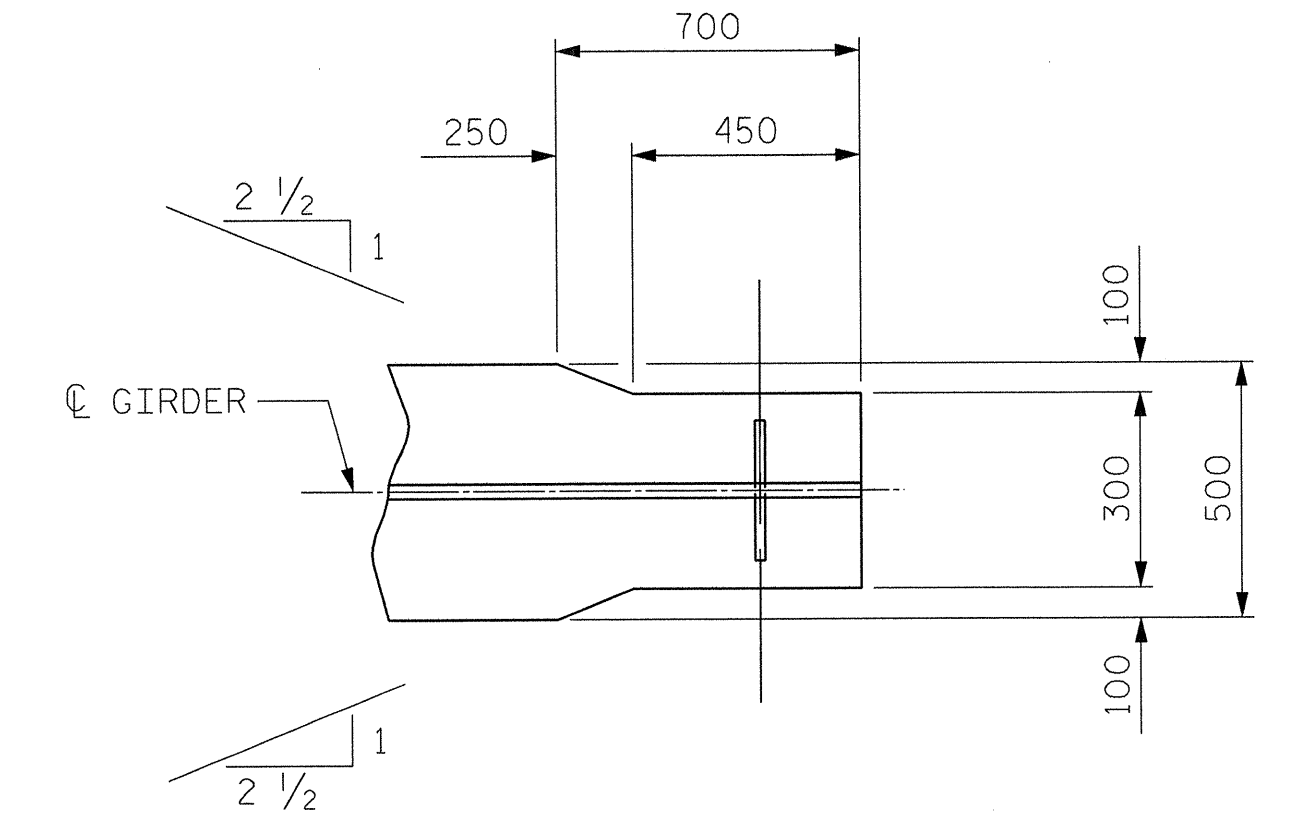
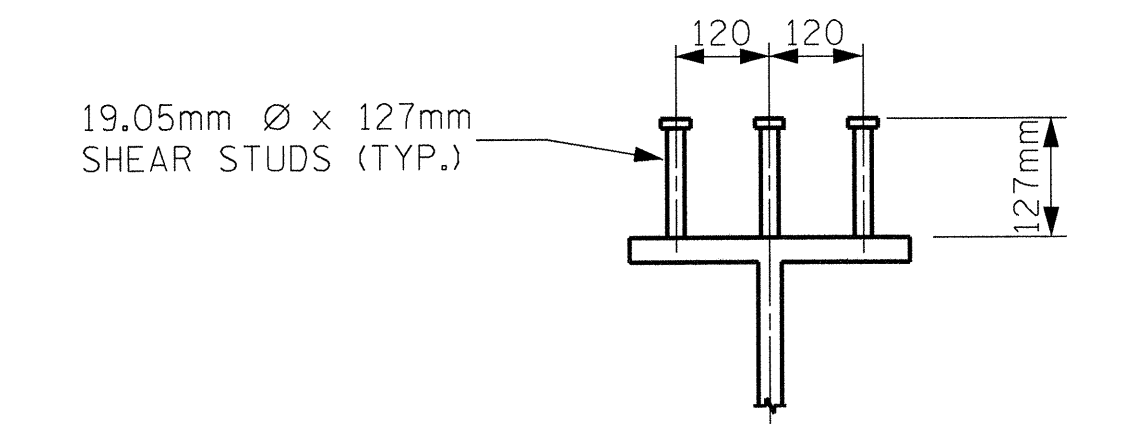


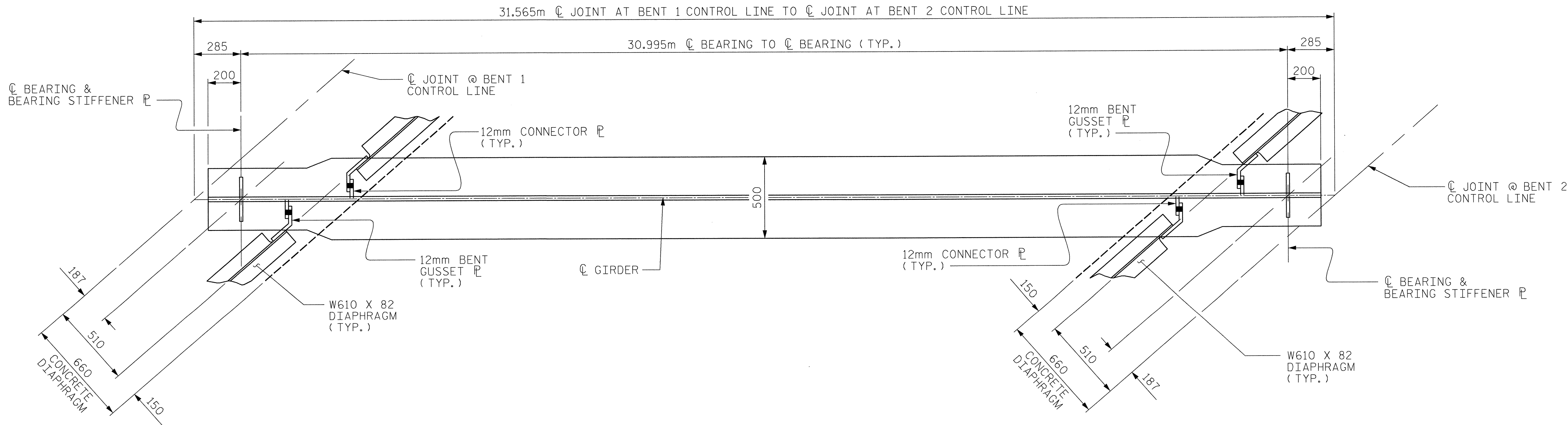
GIRDER ELEVATION
 (CONNECTOR PLATES OMITTED FOR CLARITY)



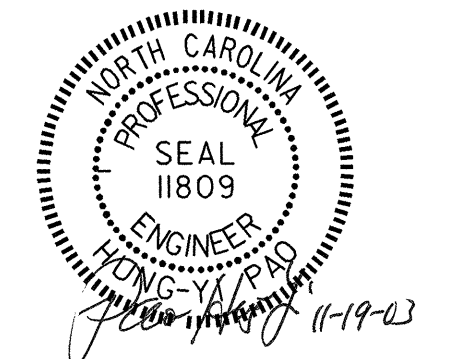
BOTTOM FLANGE CLIP DETAIL



SHEAR STUD DETAILS
 (SPAN B)



BOTTOM FLANGE DETAILS
 (SEE BOTTOM FLANGE CLIP DETAIL)
 (SEE TOP FLANGE CLIP DETAILS, SHEET 5 OF 6)



PROJECT NO. R-2610A
 CHATHAM COUNTY
 STATION: 27+85.488 -L-

SHEET 3 OF 6

STATE OF NORTH CAROLINA
 DEPARTMENT OF TRANSPORTATION
 RALEIGH

SUPERSTRUCTURE
 STRUCTURAL STEEL
 DETAILS
 (SPAN B)
 (LEFT LANE BRIDGE)

REVISIONS						SHEET NO.
NO.	BY:	DATE:	NO.	BY:	DATE:	5-51
1			3			TOTAL SHEETS
2			4			62

Stantec Consulting Services Inc.
 Suite 300, 801 Jones Franklin Road
 Raleigh, NC 27606
 Tel. 919.851.6866
 Fax. 919.851.7024
 www.stantec.com

DRAWN BY: M. J. OSTRISHKO DATE: 5-8-03
 CHECKED BY: H. PAO DATE: 6-23-03