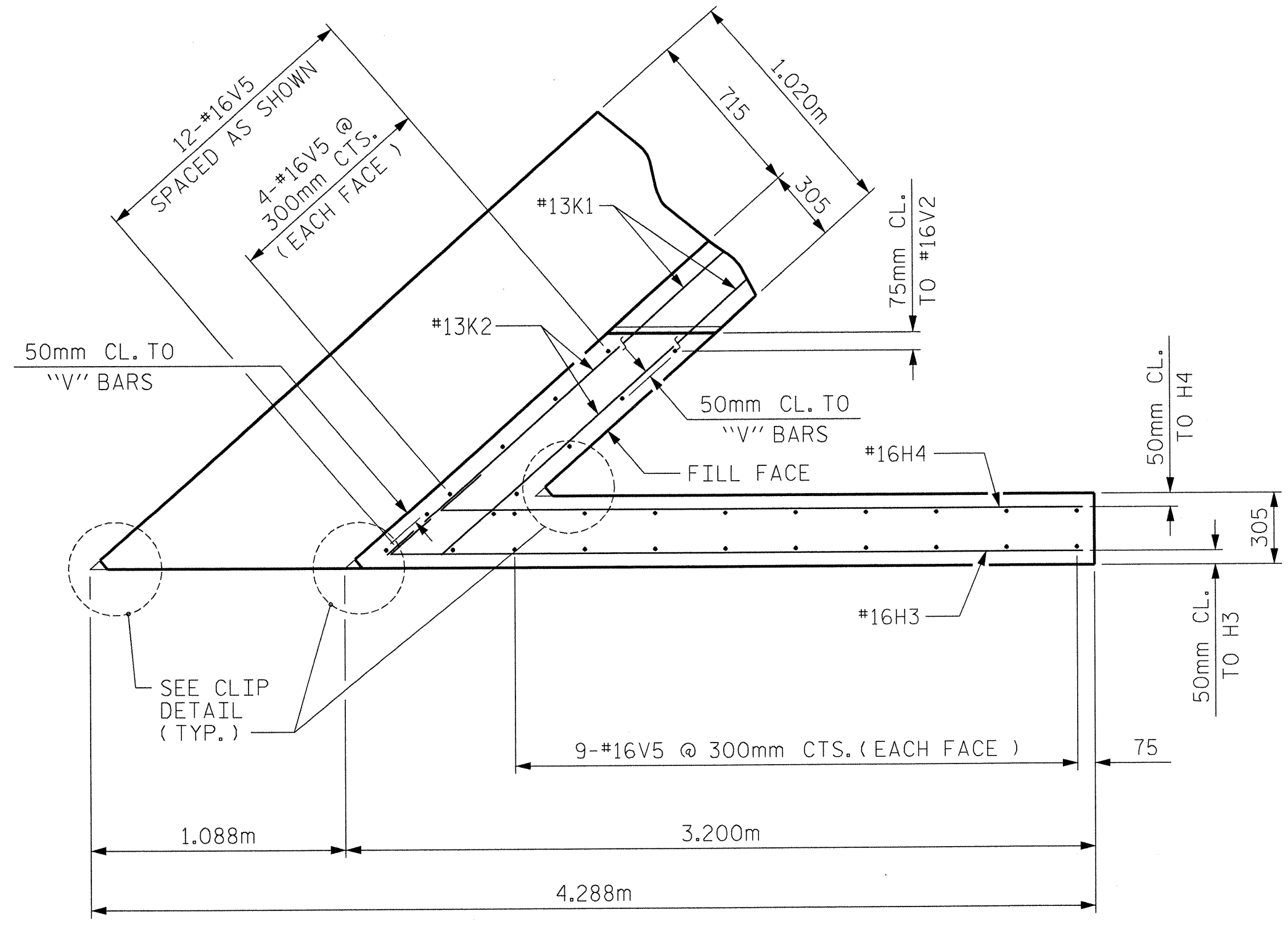
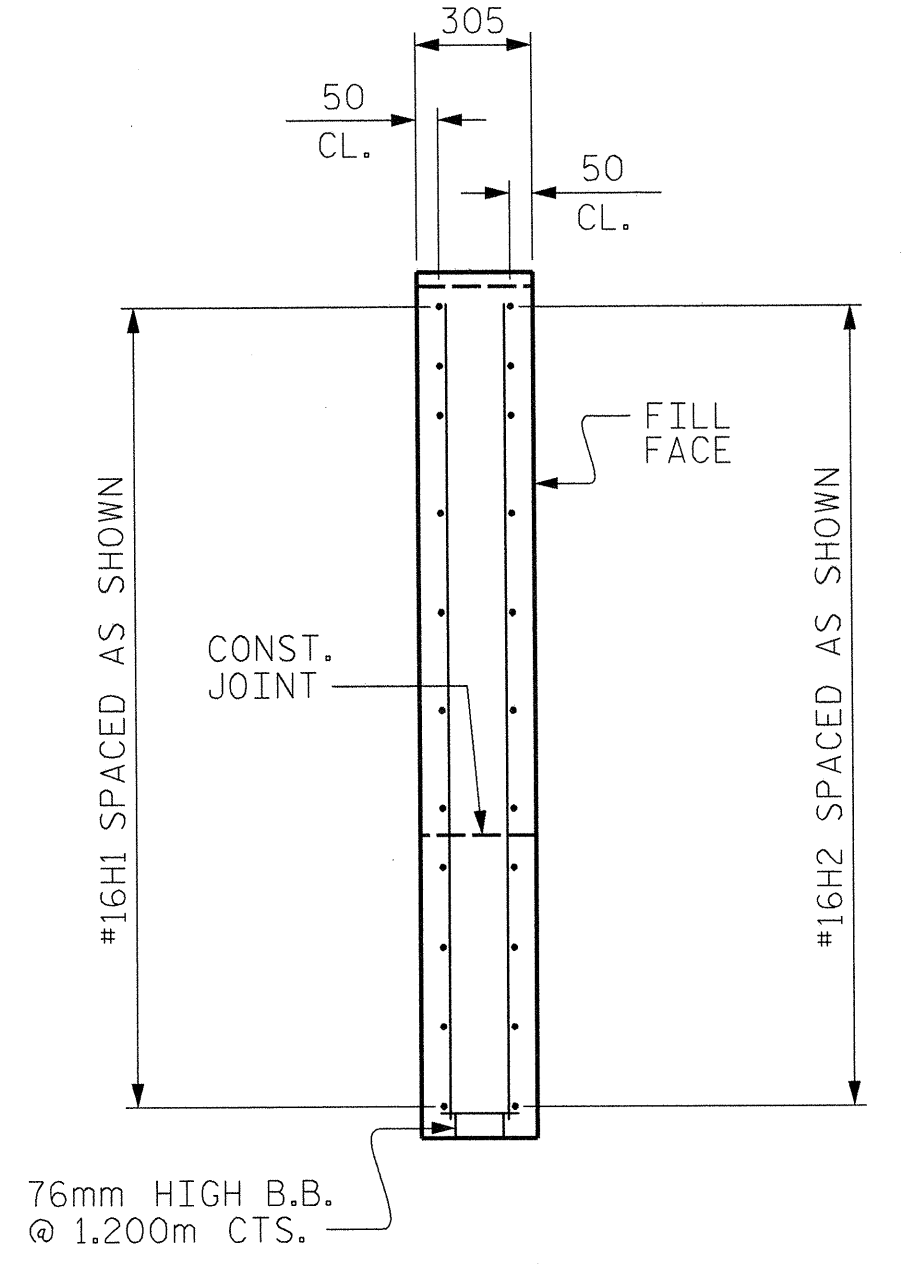


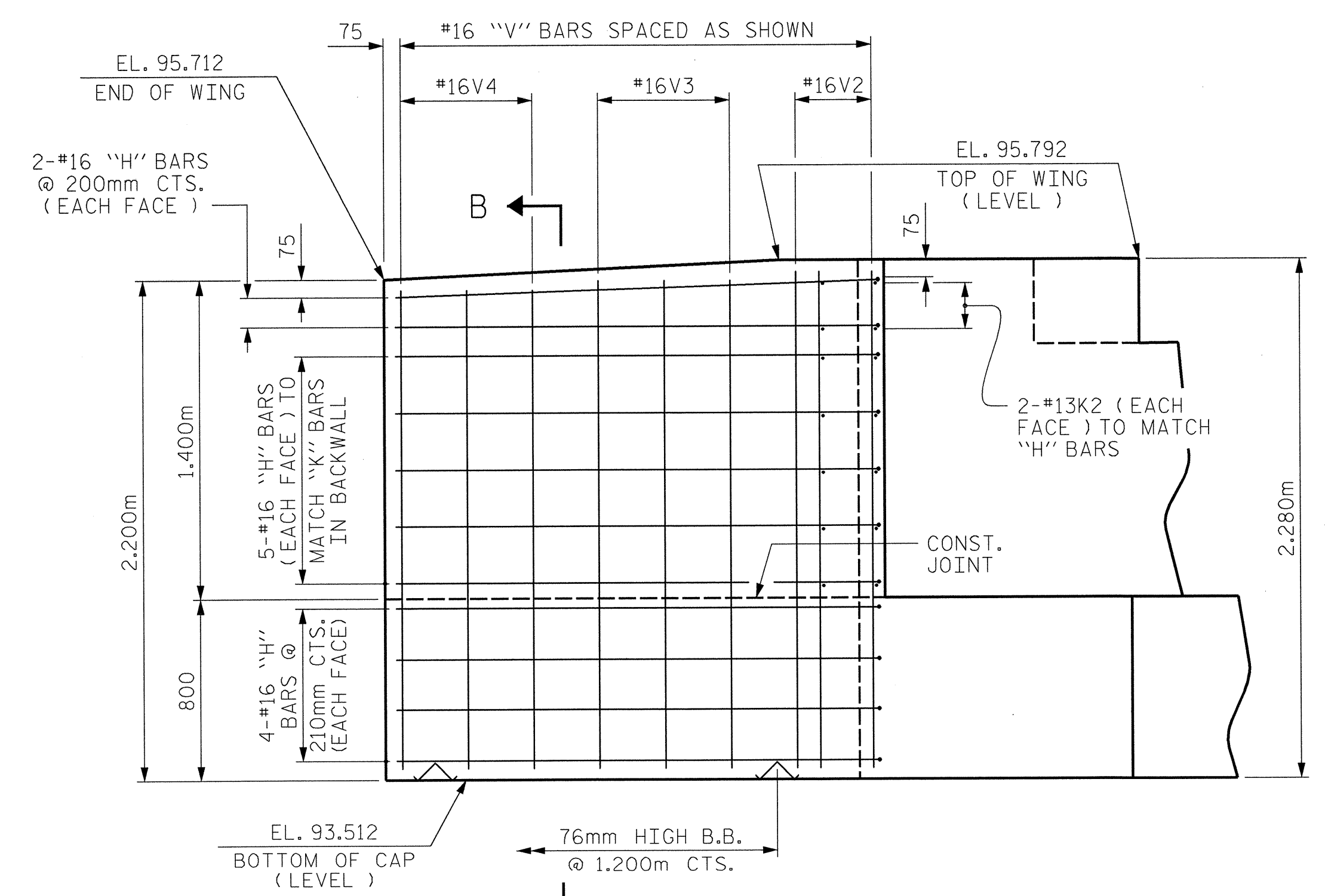
PLAN OF LEFT WING - W1



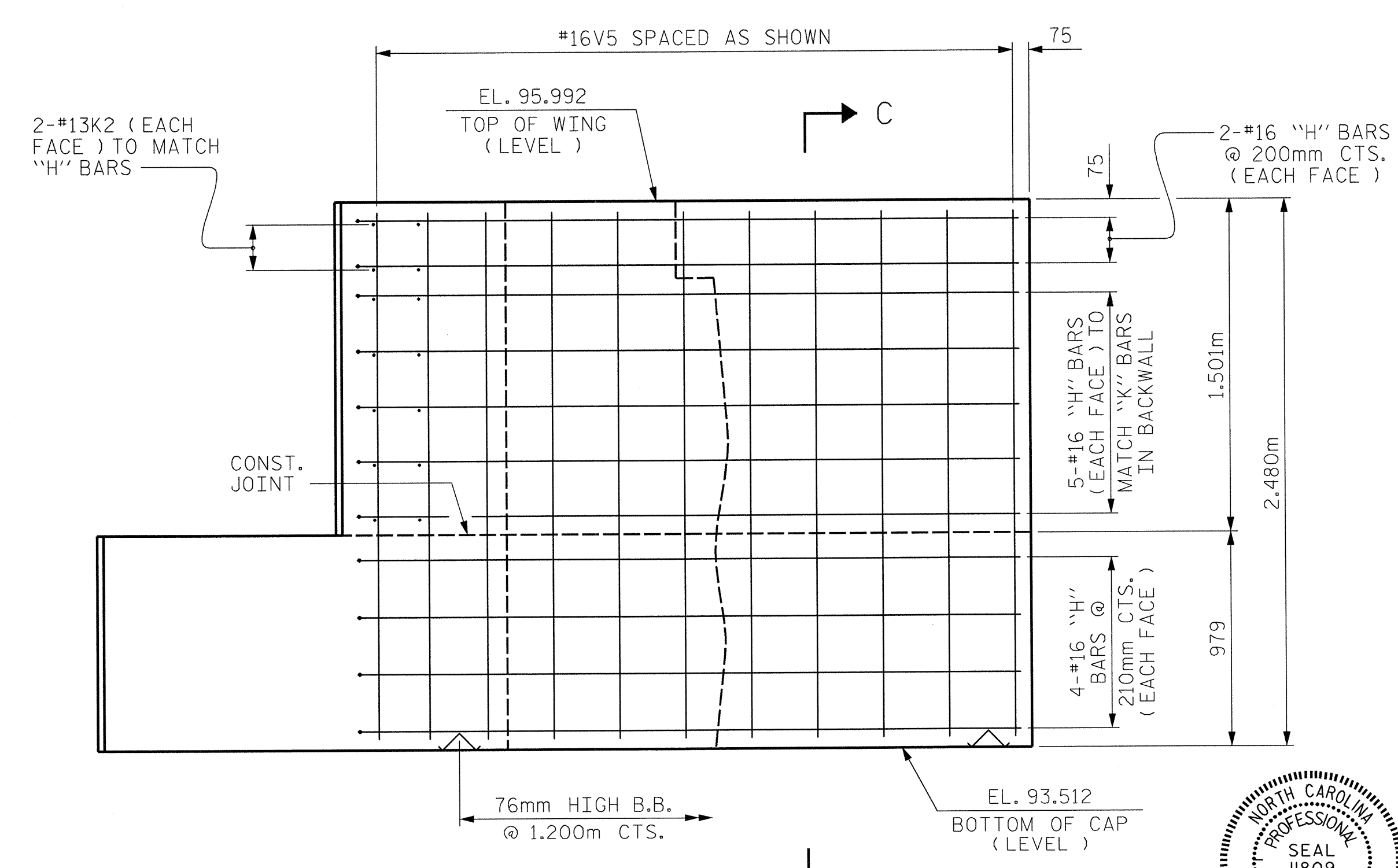
PLAN OF RIGHT WING - W2



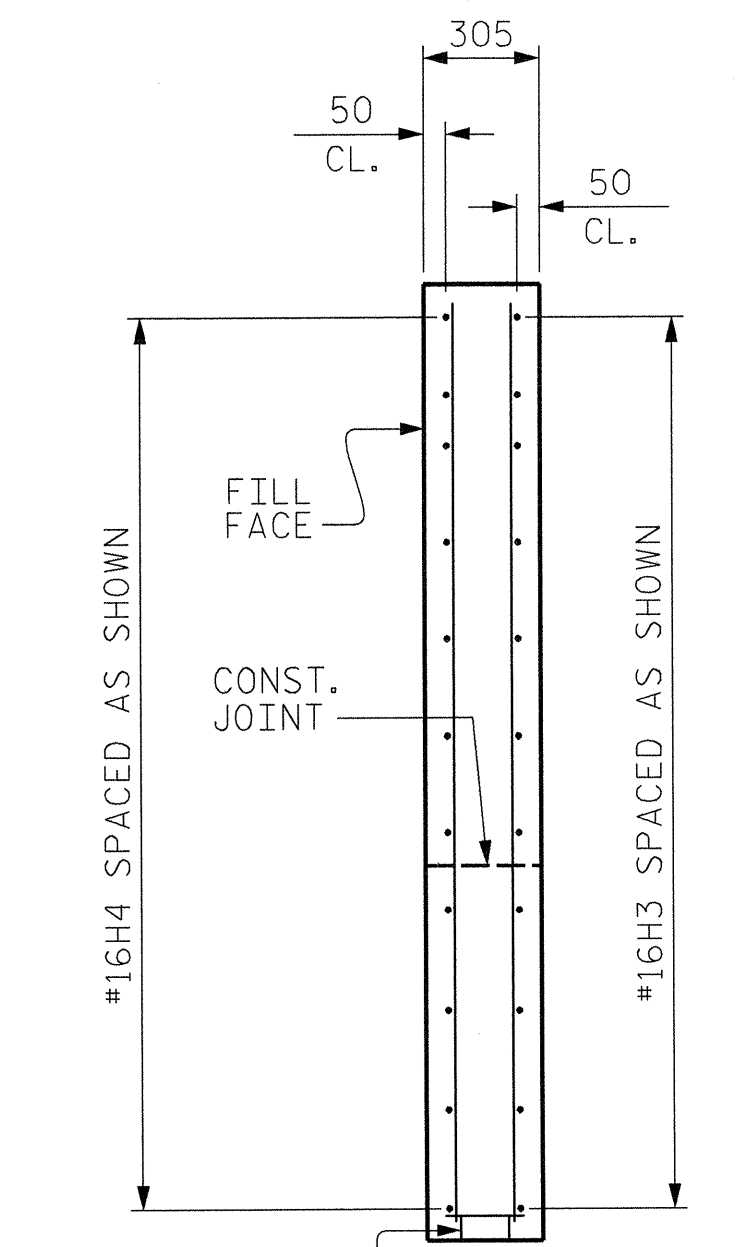
SECTION B-B



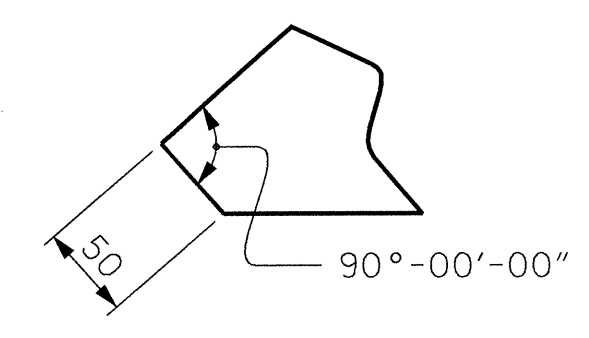
ELEVATION OF LEFT WING - W1



ELEVATION OF RIGHT WING - W2

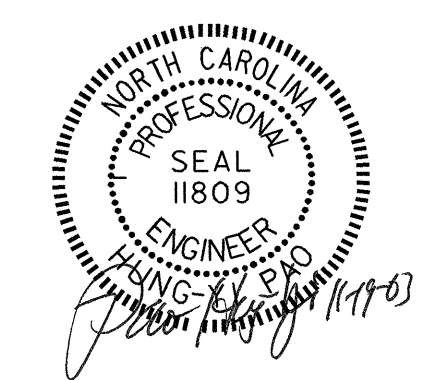


SECTION C-C



CLIP DETAIL

PROJECT NO. R-2610A
 CHATHAM COUNTY
 STATION: 27+85.488 -L-



SHEET 2 OF 3
 STATE OF NORTH CAROLINA
 DEPARTMENT OF TRANSPORTATION
 RALEIGH
 SUBSTRUCTURE
 END BENT 2
 (LEFT LANE BRIDGE)

REVISIONS						SHEET NO.	
NO.	BY:	DATE:	NO.	BY:	DATE:	5-74	
1			3			TOTAL SHEETS	82
2			4				

Stantec
 Stantec Consulting Services Inc.
 Suite 300, 801 Jones Franklin Road
 Raleigh, NC 27606
 Tel. 919.851.6866
 Fax. 919.851.7024
 www.stantec.com

DRAWN BY: M. J. OSTRISHKO DATE: 3-18-03
 CHECKED BY: H. PAO DATE: 6-20-03