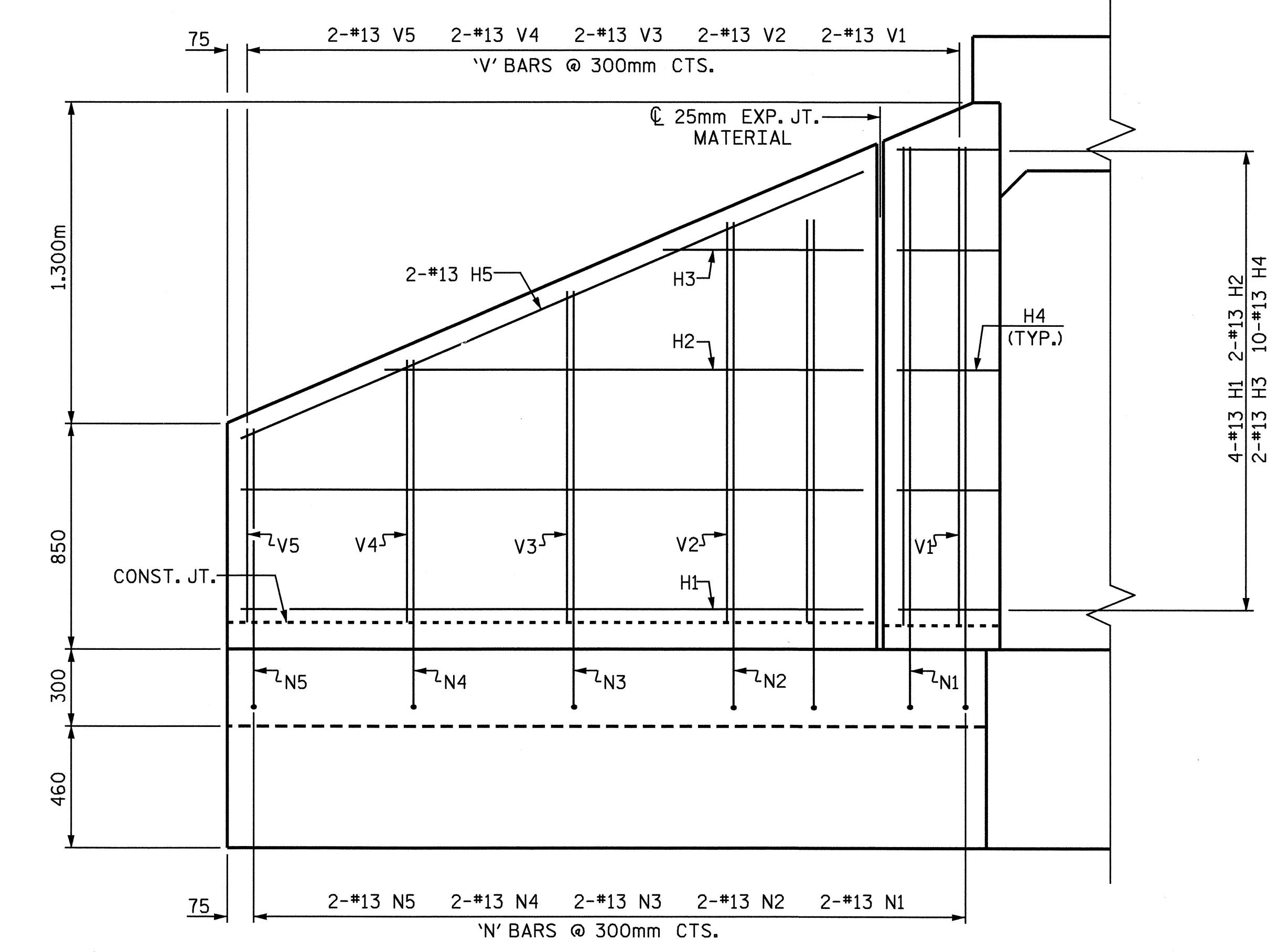
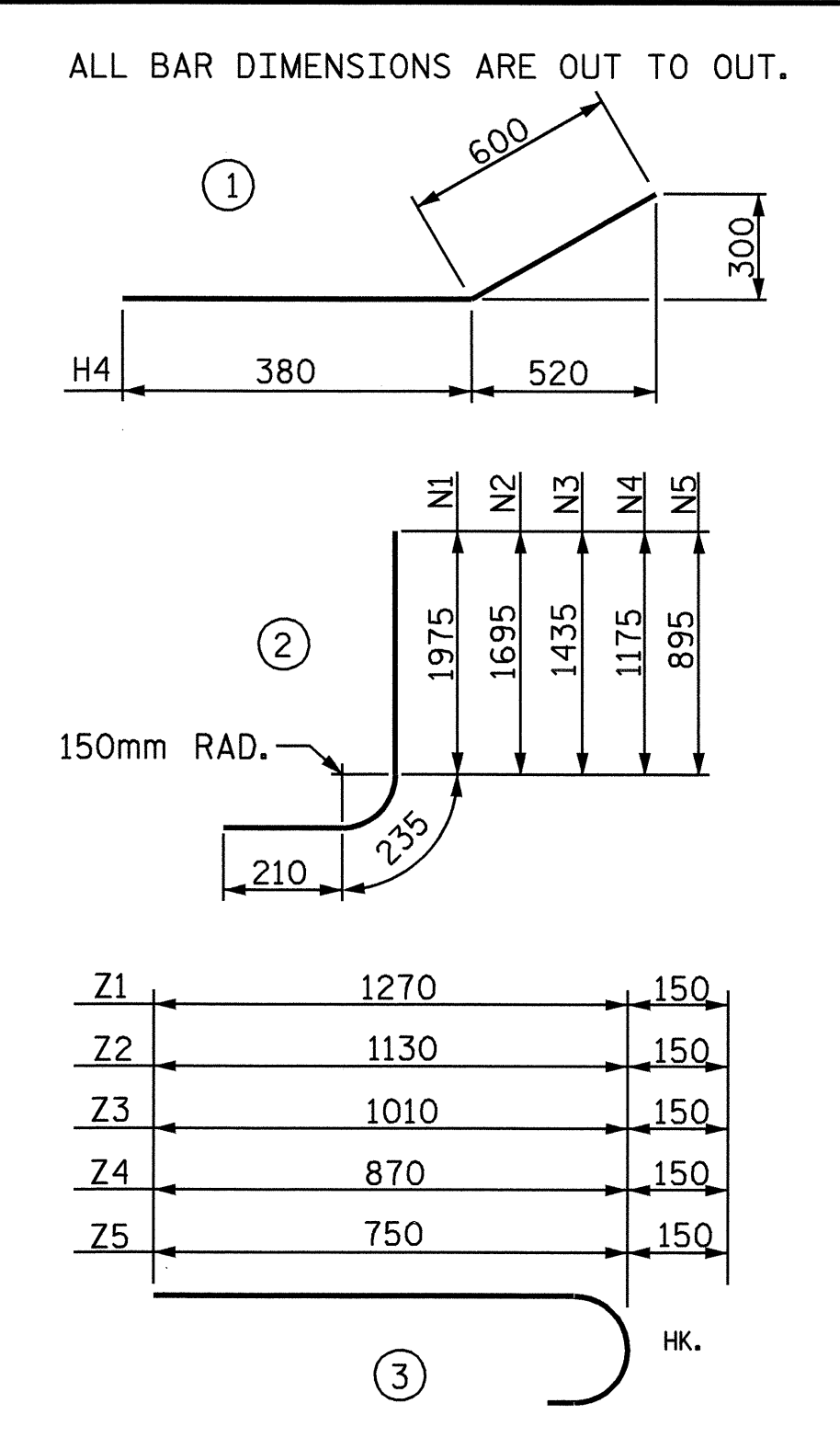


PLAN



ELEVATION

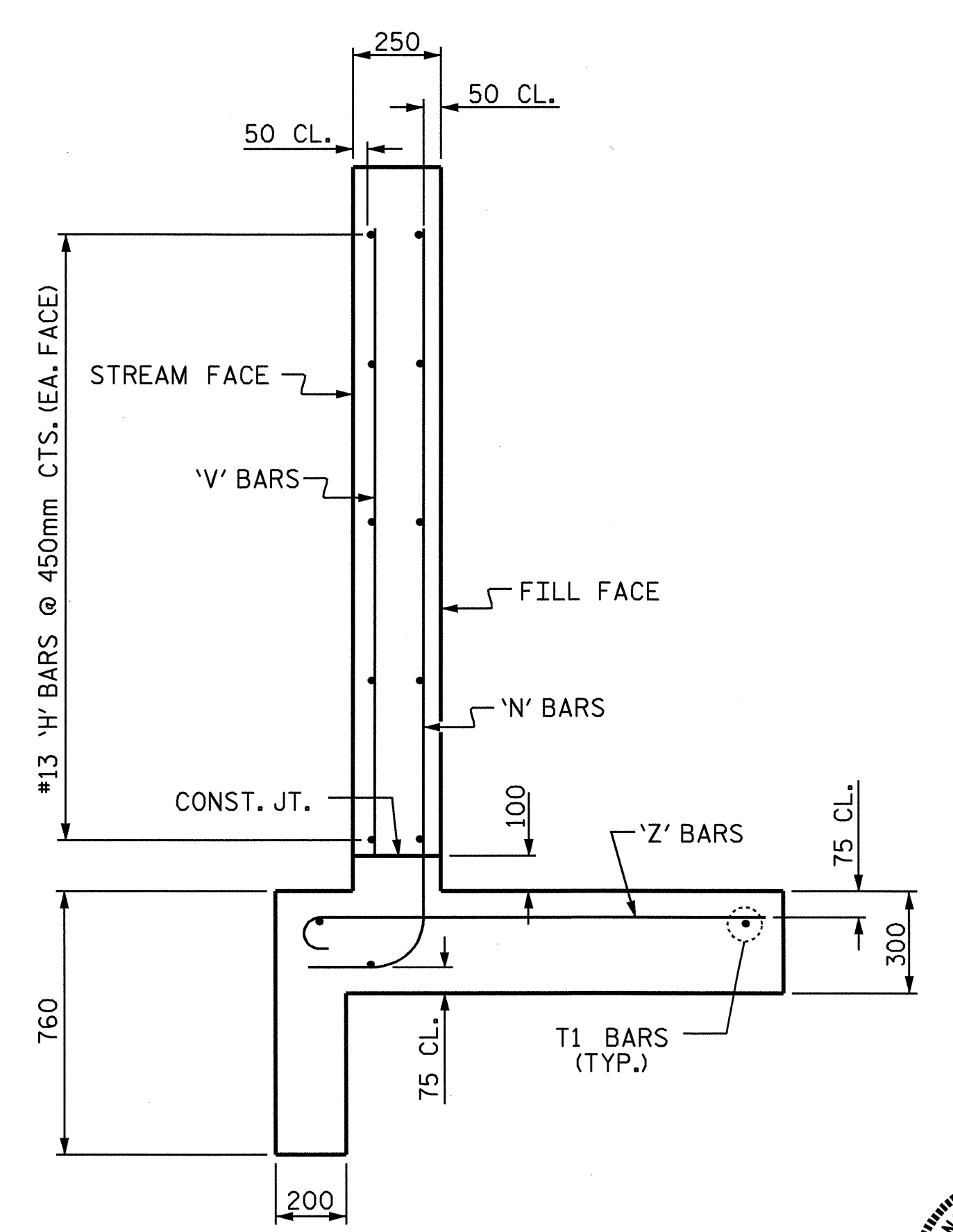
BAR TYPES



BILL OF MATERIAL RIGHT EXTENSION

| BAR NO. | SIZE | TYPE | LENGTH | WEIGHT |
|---------|------|--------|--------|--------|
| H1 | 8 | 13 STR | 2340 | 19 |
| H2 | 4 | 13 STR | 1800 | 7 |
| H3 | 4 | 13 STR | 800 | 3 |
| H4 | 20 | 13 STR | 980 | 19 |
| H5 | 4 | 13 STR | 2540 | 10 |
| N1 | 4 | 13 STR | 2420 | 10 |
| N2 | 4 | 13 STR | 2140 | 9 |
| N3 | 4 | 13 STR | 1880 | 7 |
| N4 | 4 | 13 STR | 1620 | 6 |
| N5 | 4 | 13 STR | 1340 | 5 |
| T1 | 6 | 16 STR | 2900 | 27 |
| V1 | 4 | 13 STR | 1800 | 7 |
| V2 | 4 | 13 STR | 1520 | 6 |
| V3 | 4 | 13 STR | 1260 | 5 |
| V4 | 4 | 13 STR | 1000 | 4 |
| V5 | 4 | 13 STR | 720 | 3 |
| Z1 | 4 | 13 STR | 1420 | 6 |
| Z2 | 6 | 13 STR | 1280 | 8 |
| Z3 | 4 | 13 STR | 1160 | 5 |
| Z4 | 4 | 13 STR | 1020 | 4 |
| Z5 | 4 | 13 STR | 900 | 4 |

REINFORCING STEEL IN 2 WINGS 174 kg
 CLASS A CONCRETE
 2 WINGS 4.8 m³
 1 HEADWALL .3 m³
 1 END CURTAIN WALL .2 m³
 TOTAL 5.3 m³

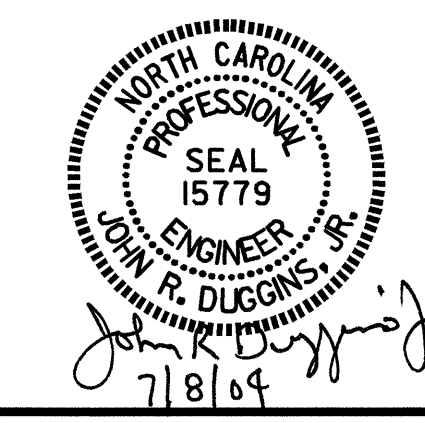


TYPICAL WING SECTION

PROJECT NO. R-2610A
 CHATHAM COUNTY
 STATION: 13+28.500 -L-

SHEET 5 OF 6

STATE OF NORTH CAROLINA
 DEPARTMENT OF TRANSPORTATION
 RALEIGH
 WINGS FOR CONCRETE
 BOX CULVERT
 H=1.830m SLOPE= 2:1
 RIGHT EXTENSION
 90° SKEW



ASSEMBLED BY : J. LAMBERT DATE : 9/03
 CHECKED BY : S. PEARCE DATE : 11/03
 DRAWN BY : KJA 06/97
 CHECKED BY : VAP 06/97

| REVISIONS | | | | | SHEET NO. |
|-----------|-----|-------|-----|-----|-----------|
| NO. | BY: | DATE: | NO. | BY: | DATE: |
| 1 | | | 3 | | |
| 2 | | | 4 | | |

TOTAL SHEETS 18