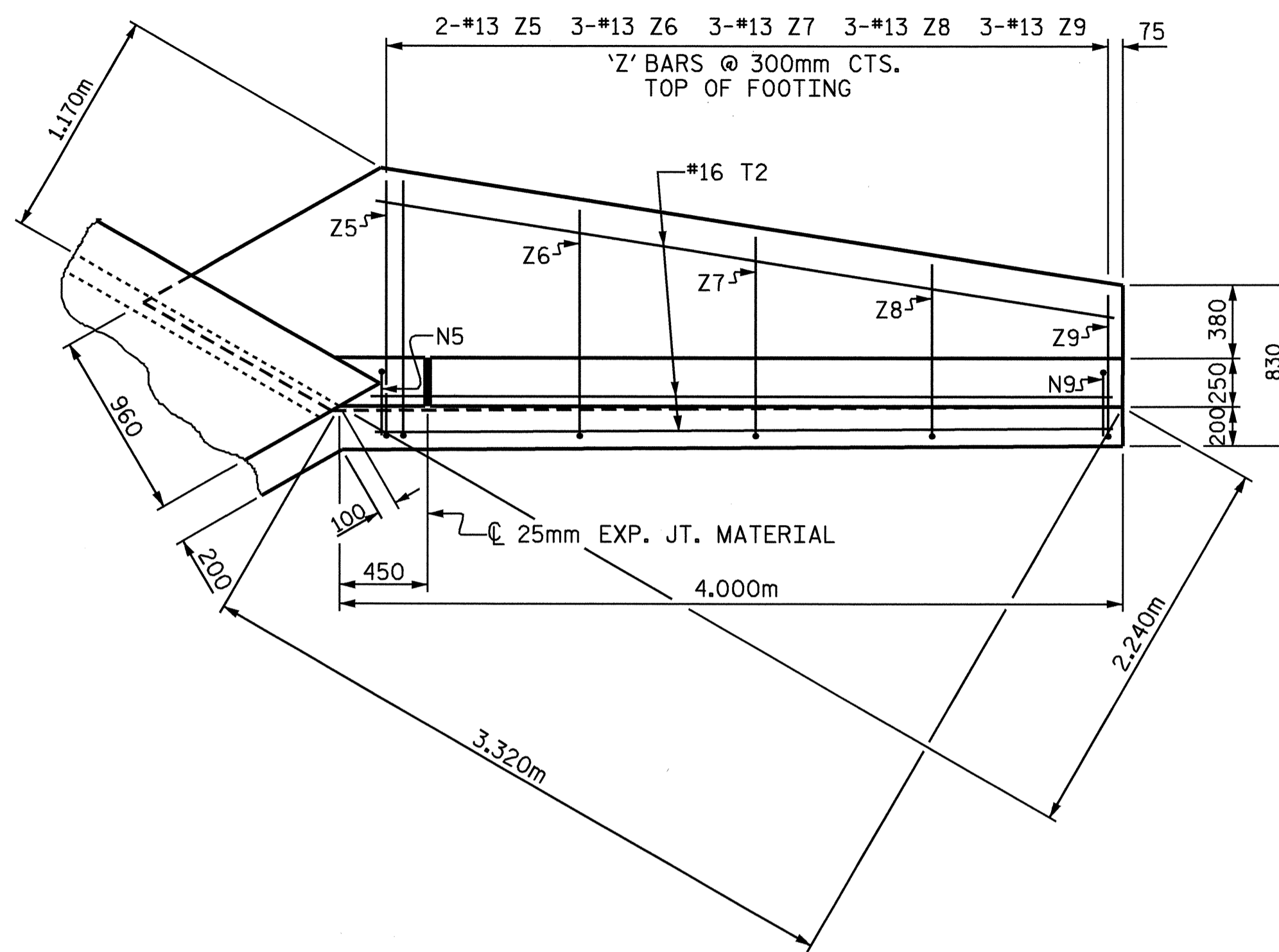
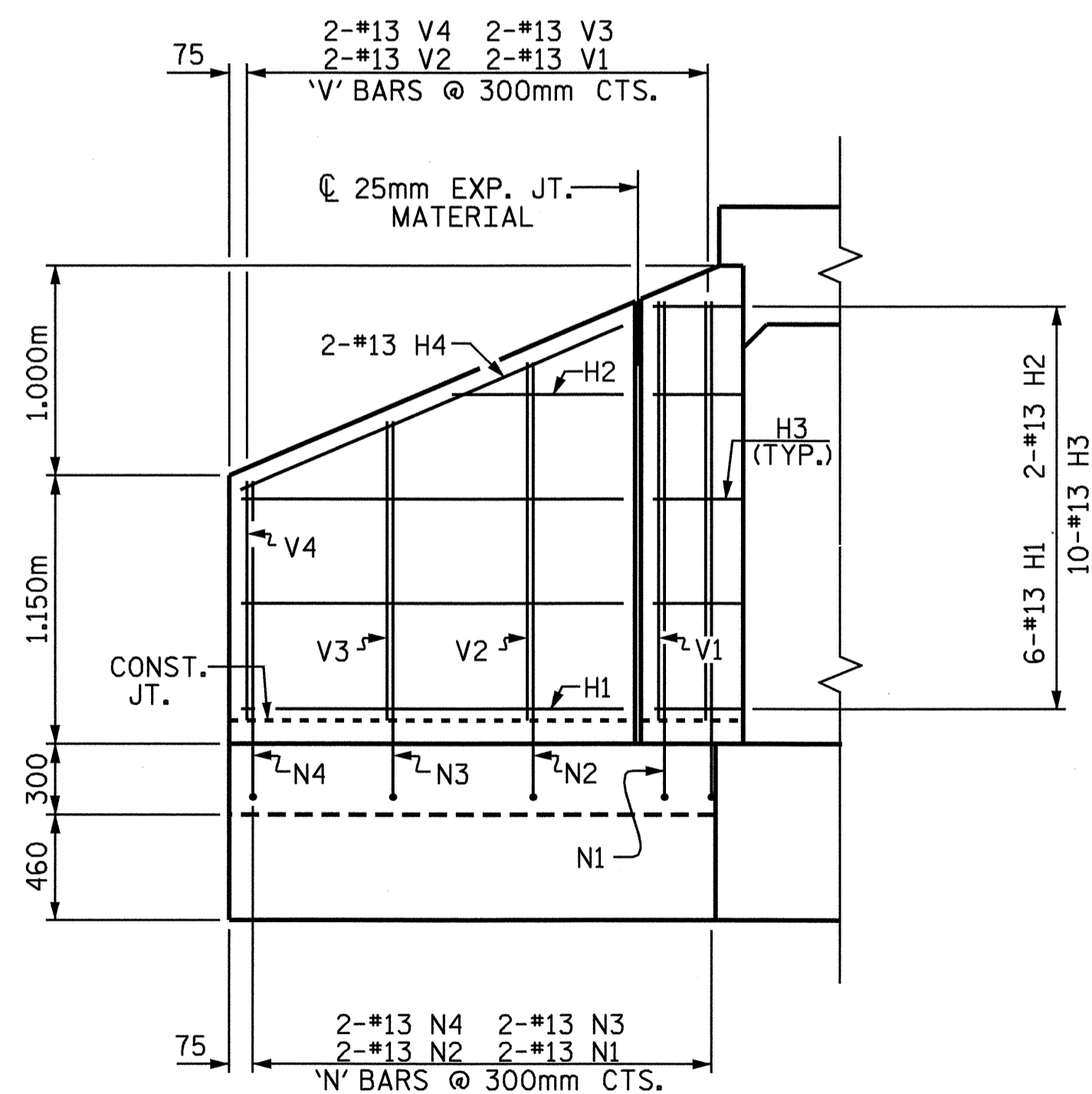


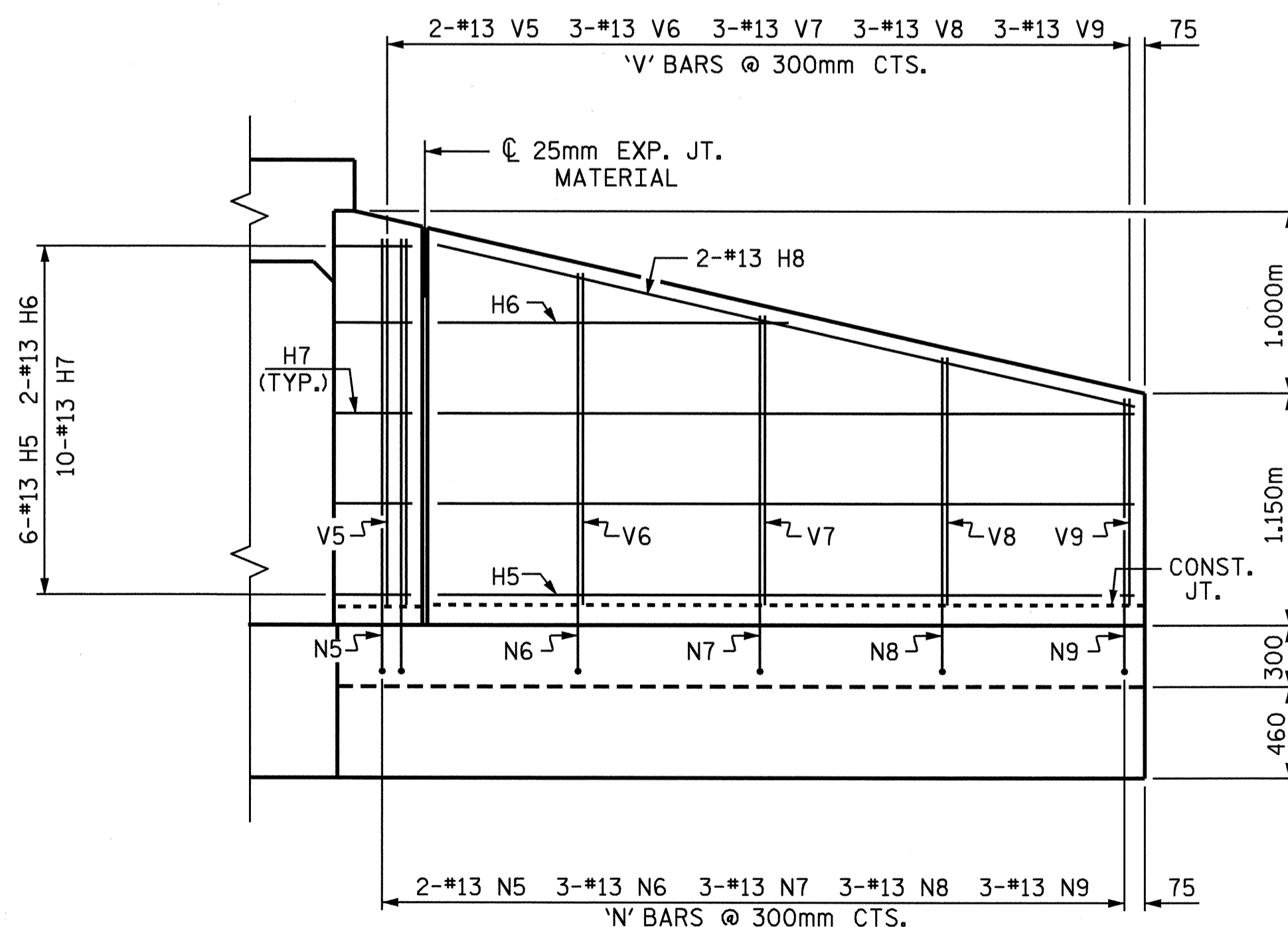
PLAN W2



PLAN W1



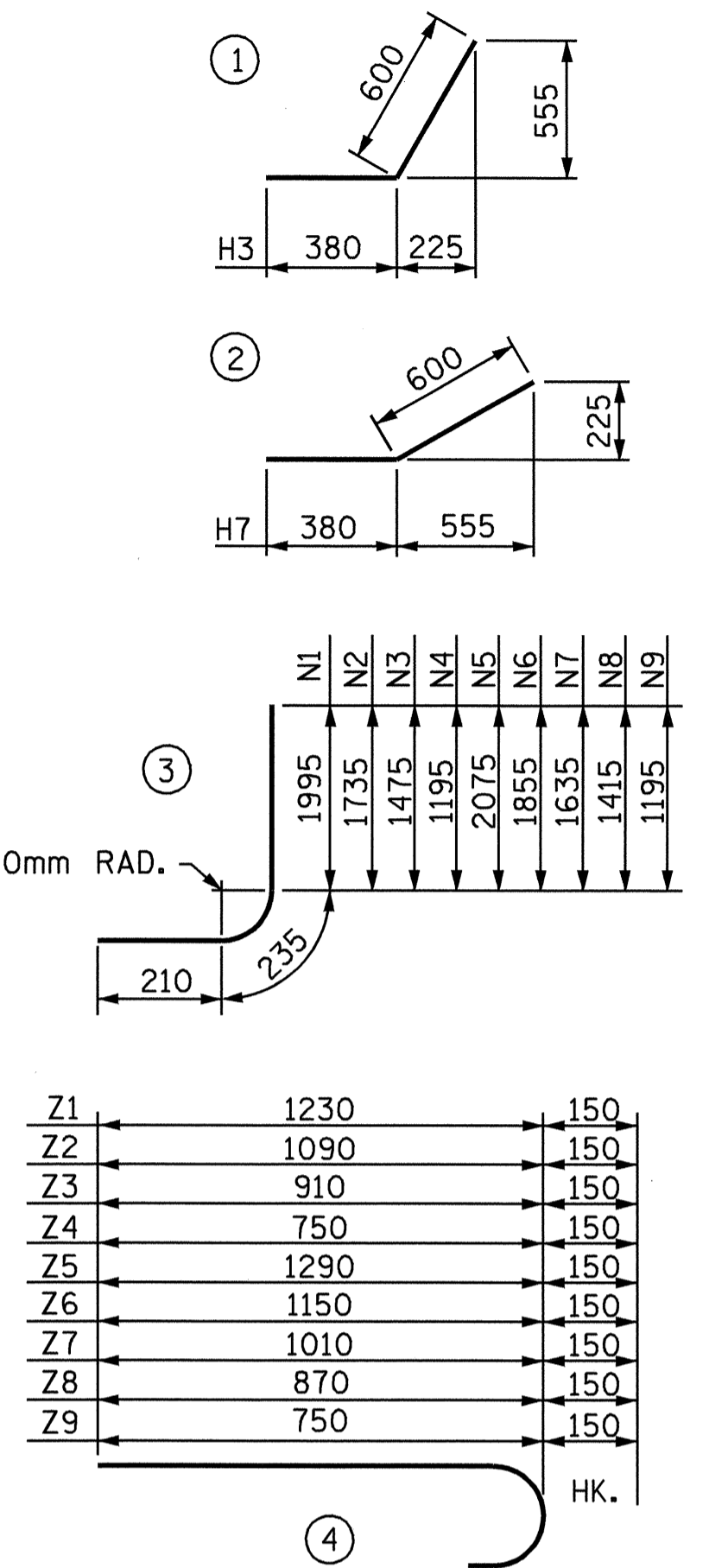
ELEVATION W2



ELEVATION W1

BAR TYPES

ALL BAR DIMENSIONS ARE OUT TO OUT.

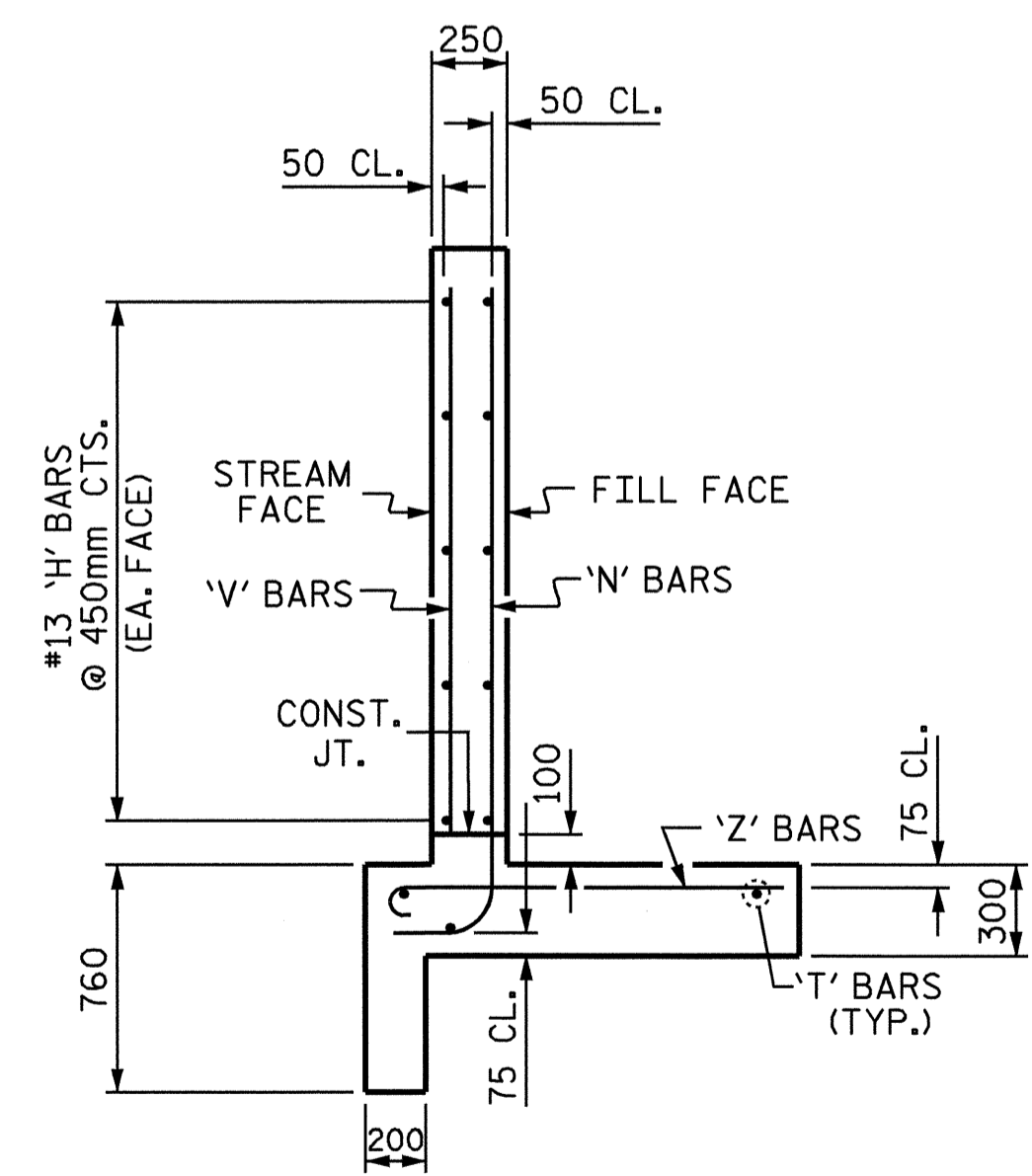


Z1	1230	150
Z2	1090	150
Z3	910	150
Z4	750	150
Z5	1290	150
Z6	1150	150
Z7	1010	150
Z8	870	150
Z9	750	150

BILL OF MATERIAL LEFT EXTENSION

BAR NO.	SIZE	TYPE	LENGTH	WEIGHT	
H1	6	13	STR	1640	10
H2	2	13	STR	780	2
H3	10	13	1	980	10
H4	2	13	STR	1780	4
H5	6	13	STR	3440	21
H6	2	13	STR	1940	4
H7	10	13	2	980	10
H8	2	13	STR	3520	7
N1	2	13	3	2440	5
N2	2	13	3	2180	4
N3	2	13	3	1920	4
N4	2	13	3	1640	3
N5	2	13	3	2520	5
N6	2	13	3	2300	4
N7	2	13	3	2080	3
N8	2	13	3	1860	3
N9	2	13	3	1640	3
T1	3	16	STR	2200	10
T2	3	16	STR	4000	19
V1	2	13	STR	1820	4
V2	2	13	STR	1560	3
V3	2	13	STR	1300	3
V4	2	13	STR	1020	2
V5	2	13	STR	1900	4
V6	2	13	STR	1680	3
V7	2	13	STR	1460	3
V8	2	13	STR	1240	2
V9	2	13	STR	1020	2
Z1	2	13	4	1380	3
Z2	2	13	4	1240	2
Z3	2	13	4	1060	2
Z4	2	13	4	900	2
Z5	2	13	4	1440	3
Z6	2	13	4	1300	3
Z7	2	13	4	1160	3
Z8	2	13	4	1020	3
Z9	2	13	4	900	3

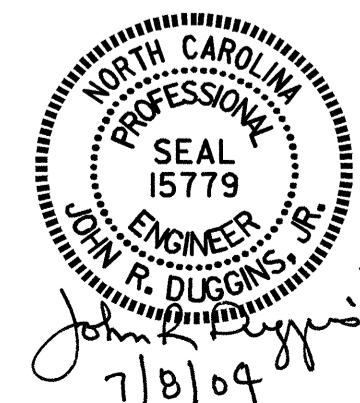
REINFORCING STEEL FOR 2 WING WALLS	199	kg
CLASS A CONCRETE		
2 WINGS	5.3	m ³
1 HEADWALL	.3	m ³
1 END CURTAIN WALL	.3	m ³
TOTAL	5.9	m ³



TYPICAL WING SECTION

PROJECT NO. R-2610A
 CHATHAM COUNTY
 STATION: 13+28.500 -L-

SHEET 6 OF 6
 STATE OF NORTH CAROLINA
 DEPARTMENT OF TRANSPORTATION
 WINGS FOR CONCRETE BOX CULVERT
 H=1.830m SLOPE=2:1
 LEFT EXTENSION
 68° SKEW



ASSEMBLED BY: J. LAMBERT DATE: 9/03
 CHECKED BY: S. PEARCE DATE: 11/03
 DRAWN BY: JLR 6/97
 CHECKED BY: VAP 6/97

FOR WING ORIENTATION, SEE BARREL STANDARD SHEET.

REVISIONS				SHEET NO.
NO.	BY:	DATE:	NO.	DATE:
1			3	
2			4	

TOTAL SHEETS 18