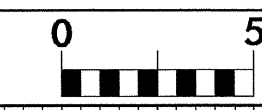
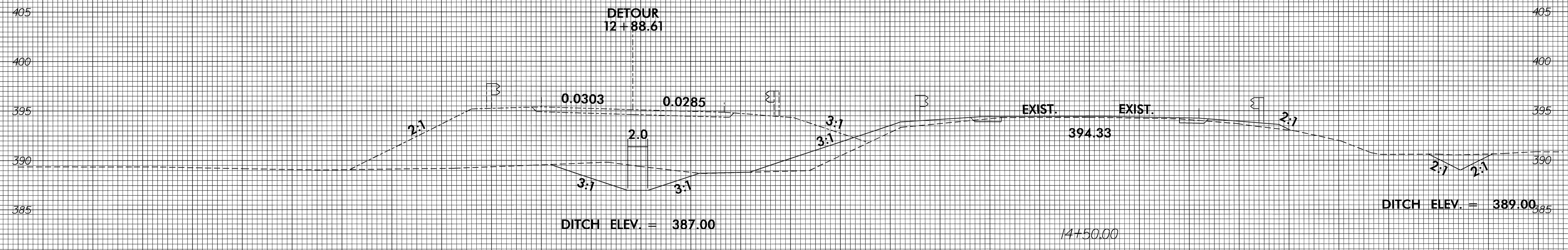
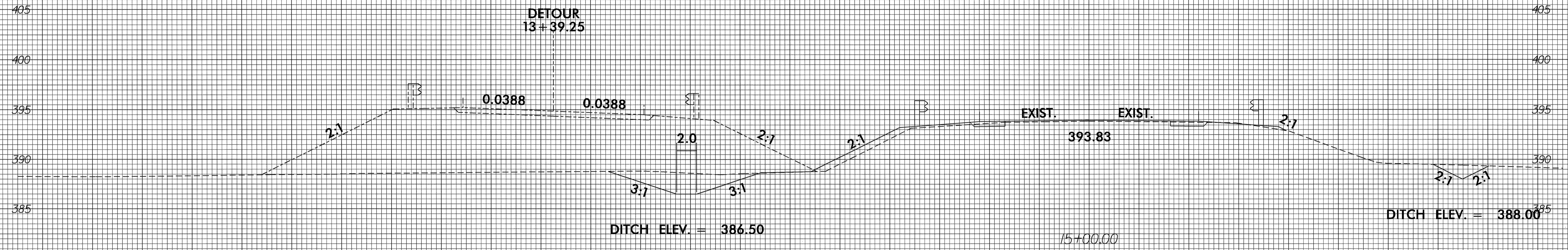


8/23/99



PROJ. REFERENCE NO.	SHEET NO.
B-3629	X-4

100 90 80 70 60 50 40 30 20 10 0 10 20 30 40



100 90 80 70 60 50 40 30 20 10 0 10 20 30 40

27-MAY-2004 07:55
J:\XSC\3629.XP1 RD203021
JBGauthier