

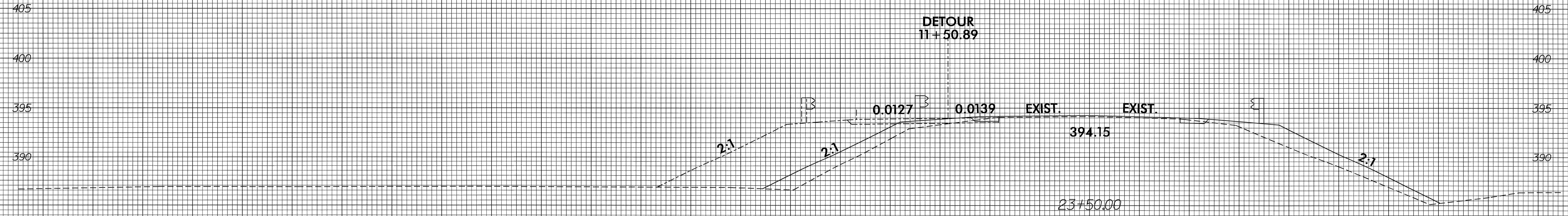
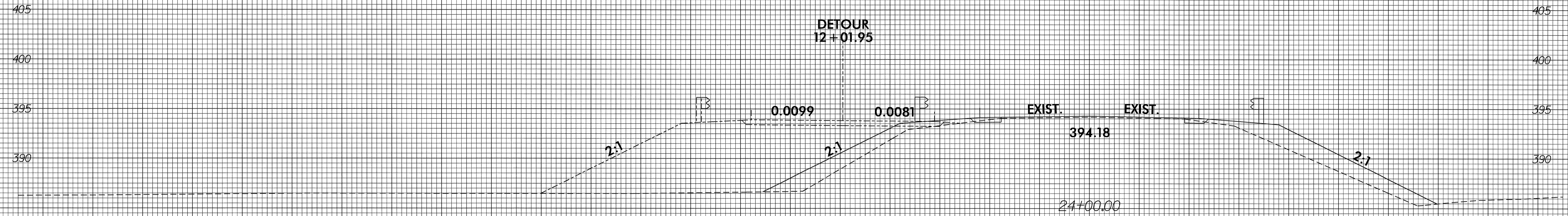
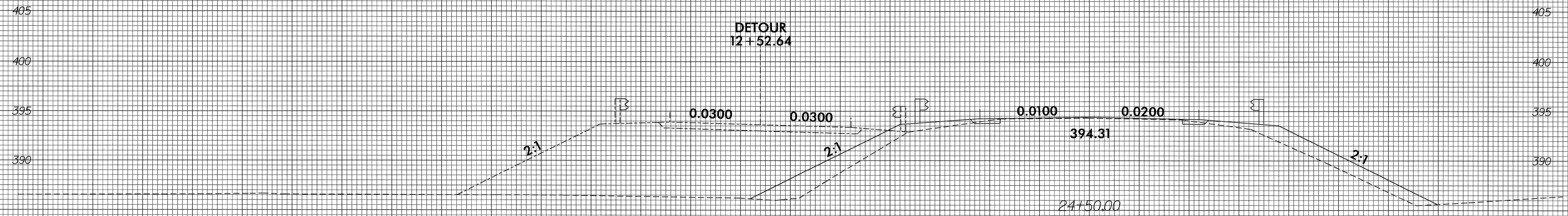
8/23/99



PROJ. REFERENCE NO.
B-3629

SHEET NO.
X-10

100 90 80 70 60 50 40 30 20 10 0 10 20 30 40



100 90 80 70 60 50 40 30 20 10 0 10 20 30 40

27-MAY-2004 07:52
R:\XSC\63629\pl RD203021
JBGauthier