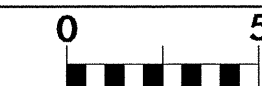


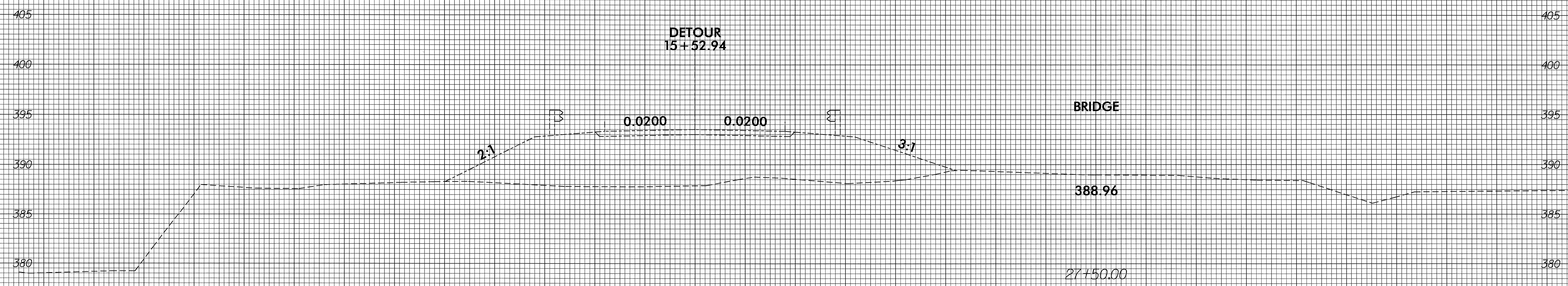
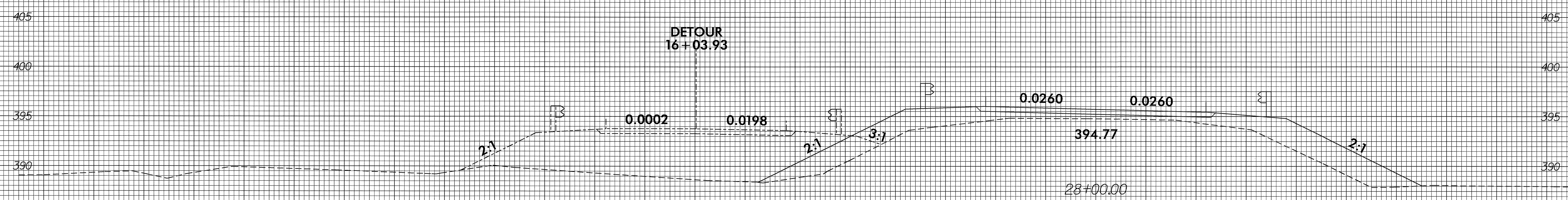
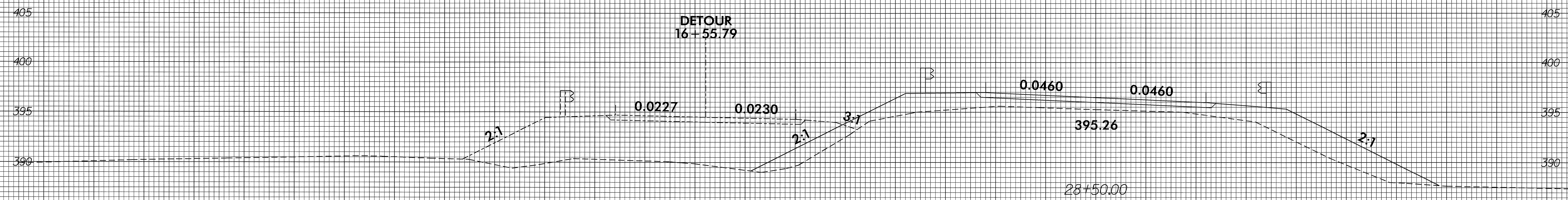
8/23/99



PROJ. REFERENCE NO.  
B-3629

SHEET NO.  
X-13

100 90 80 70 60 50 40 30 20 10 0 10 20 30 40



100 90 80 70 60 50 40 30 20 10 0 10 20 30 40

27-MAY-2004 01:51  
R:\XSC\B3629\RD203021  
JBGauthier