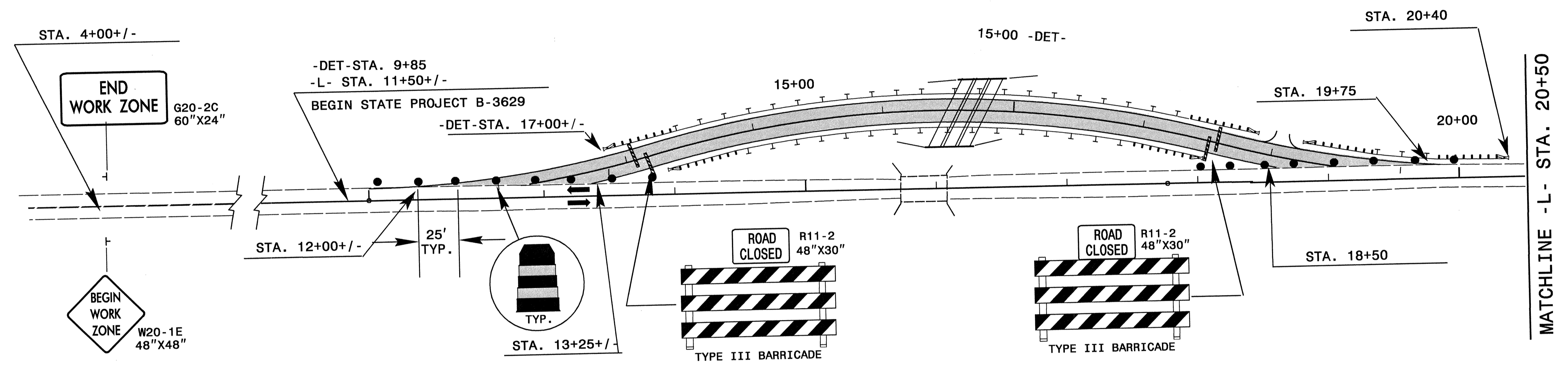


AREA I PHASE I



PHASING

NOTE: - INSTALL ADVANCE WARNING SIGNS ON SR 1565 AS SHOWN. IF WORK IS NOT PURSUED WITHIN THREE DAYS OF SIGN INSTALLATION, THE SIGNS SHALL BE COVERED OR REMOVED IN A METHOD APPROVED BY THE ENGINEER ACCORDING TO SECTION 1110 AT NO EXPENSE TO THE DEPARTMENT. COORDINATE CONSTRUCTION OF AREA 1 AND AREA 2 INVOLVING LANE CLOSURE TO AVOID LANE CLOSURE CONFLICTS. - USING ROADWAY STANDARD DRAWING 1101.02, SHEET 1 OF 7, ROADWAY WIDENING FROM STA. 11+00+/- TO STA. 33+00+/- CAN BE CONSTRUCTED AT ANY TIME PRIOR TO PLACEMENT OF THE FINAL SURFACE LAYER AND WITHOUT CONFLICTING WITH AREA 1 AND AREA 2 LANE CLOSURES.

AREA I - PHASE I

STEP 1. USING ROADWAY STANDARD DRAWING 1101.02, SHEET 1 OF 7 AS NEEDED, CONSTRUCT DETOUR STRUCTURE, TEMPORARY GUARDRAIL, AND DETOUR ROADWAY, INCLUDING TIE-INS, FROM STA. 12+00+/- TO STA. 20+40+/- AS SHOWN.

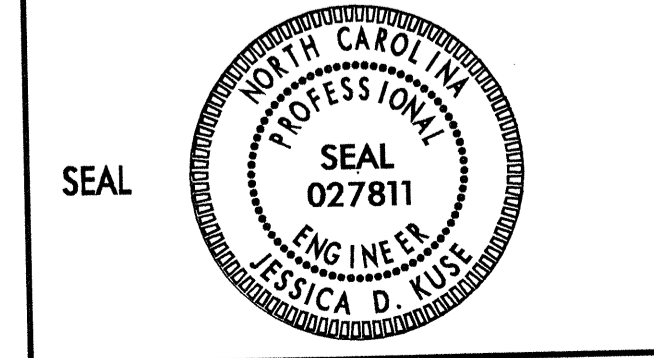
USING ROADWAY STANDARD DRAWING 1101.02, SHEET 1 OF 7, COMPLETE THE FOLLOWING STEP IN A CONTINUOUS MANNER.

STEP 2. APPLY TEMPORARY PAVEMENT MARKINGS AND SHIFT TRAFFIC TO DETOUR PATTERN. INSTALL TRAFFIC CONTROL DEVICES AND SIGNS AS SHOWN ON TCP-4 AND TCP-6.

LEGEND

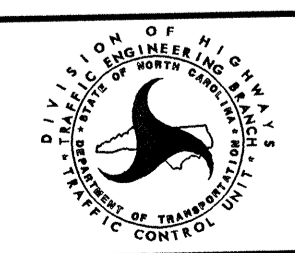
WORK AREA	
PAVEMENT REMOVAL	

APPROVED: *Jessica Kure* DATE: 7/30/04



AREA 1 PHASE I

SCALE: NONE
DATE: 6/14/04
DWG. BY: WRH
DESIGN BY: WRH
REVIEWED BY: JDK



REVISIONS	

30-JUL-2004 11:20
H:\TCP\B3629\TCP-03.dgn
rhems AT TEL087166