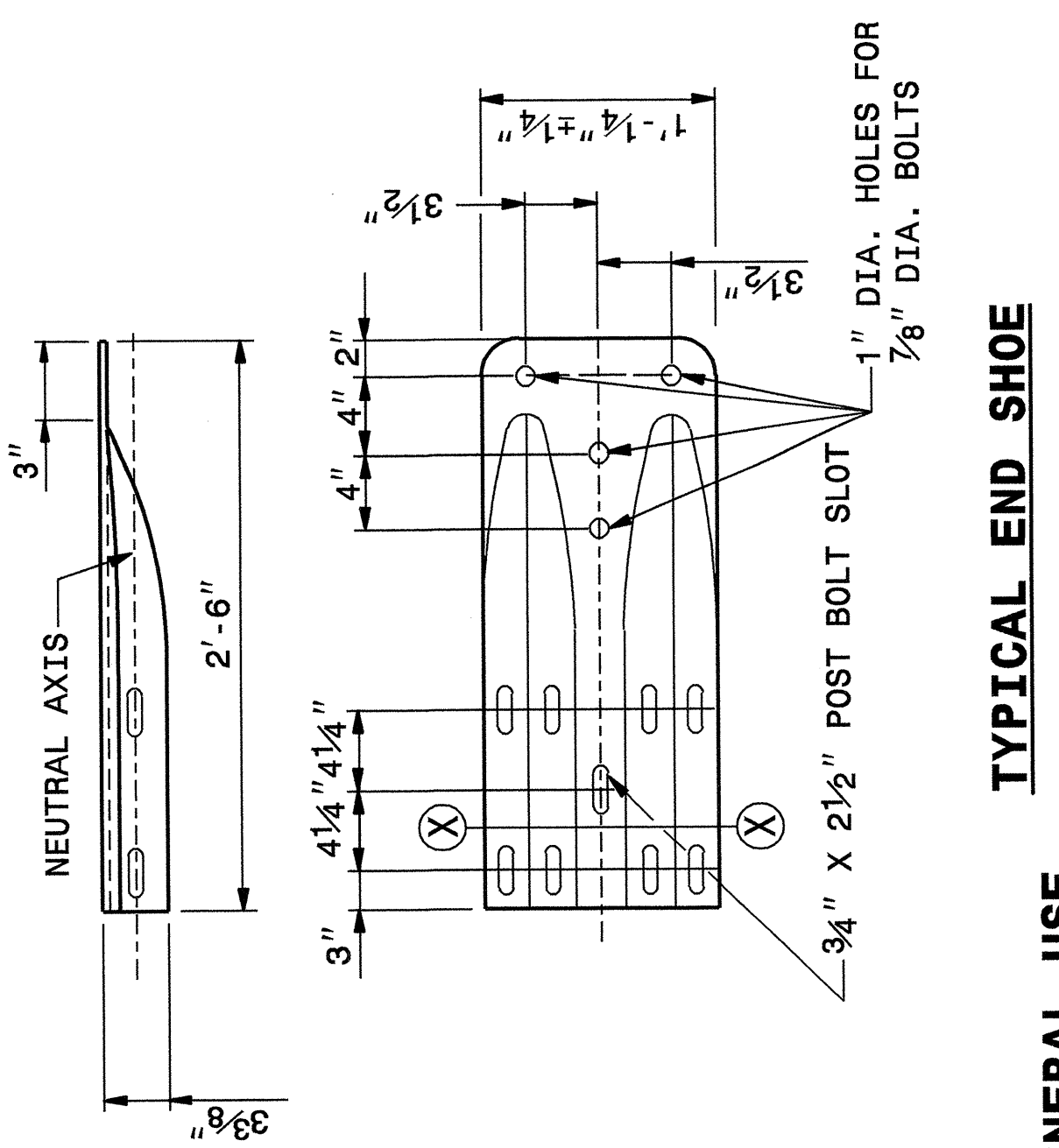
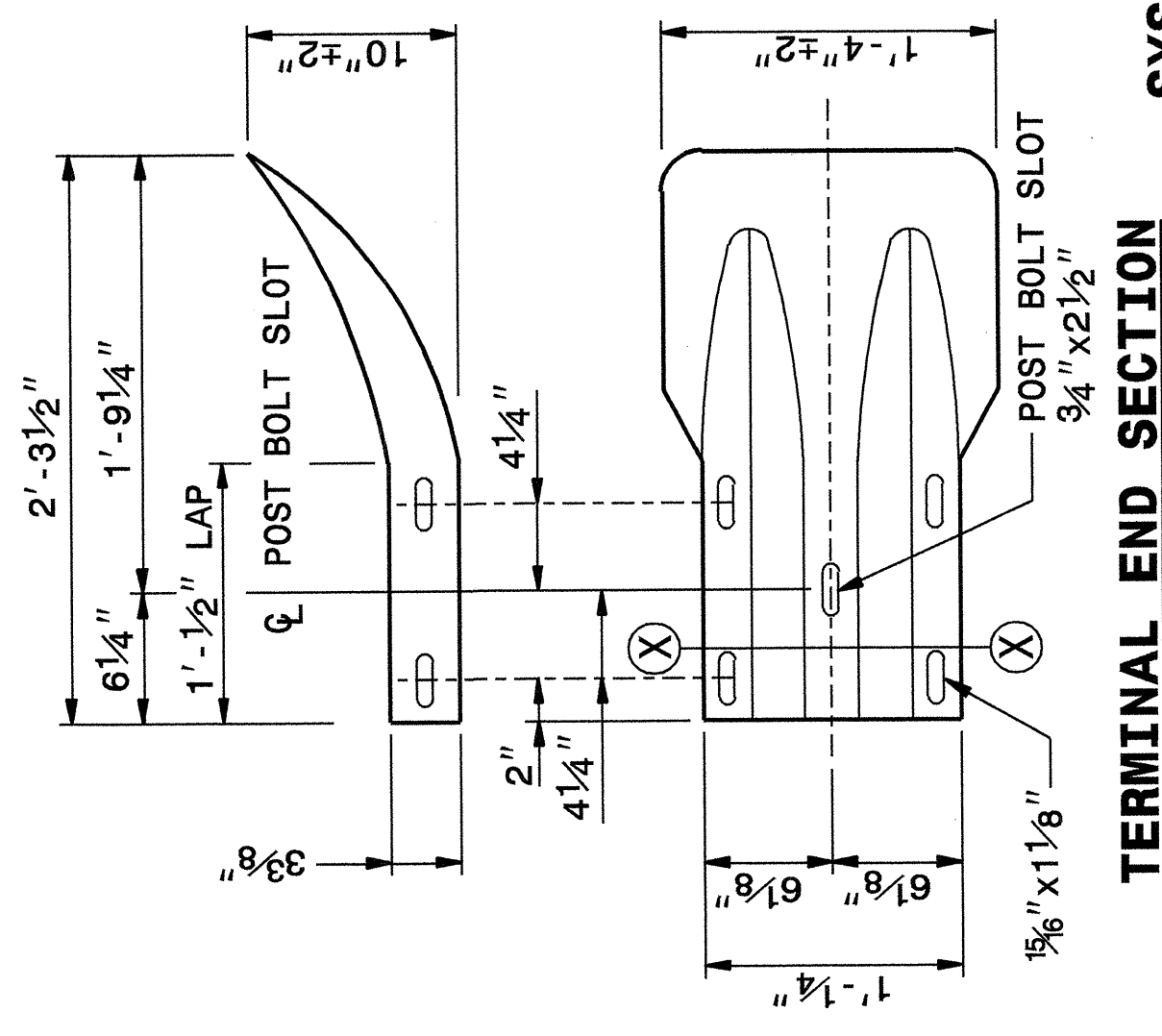
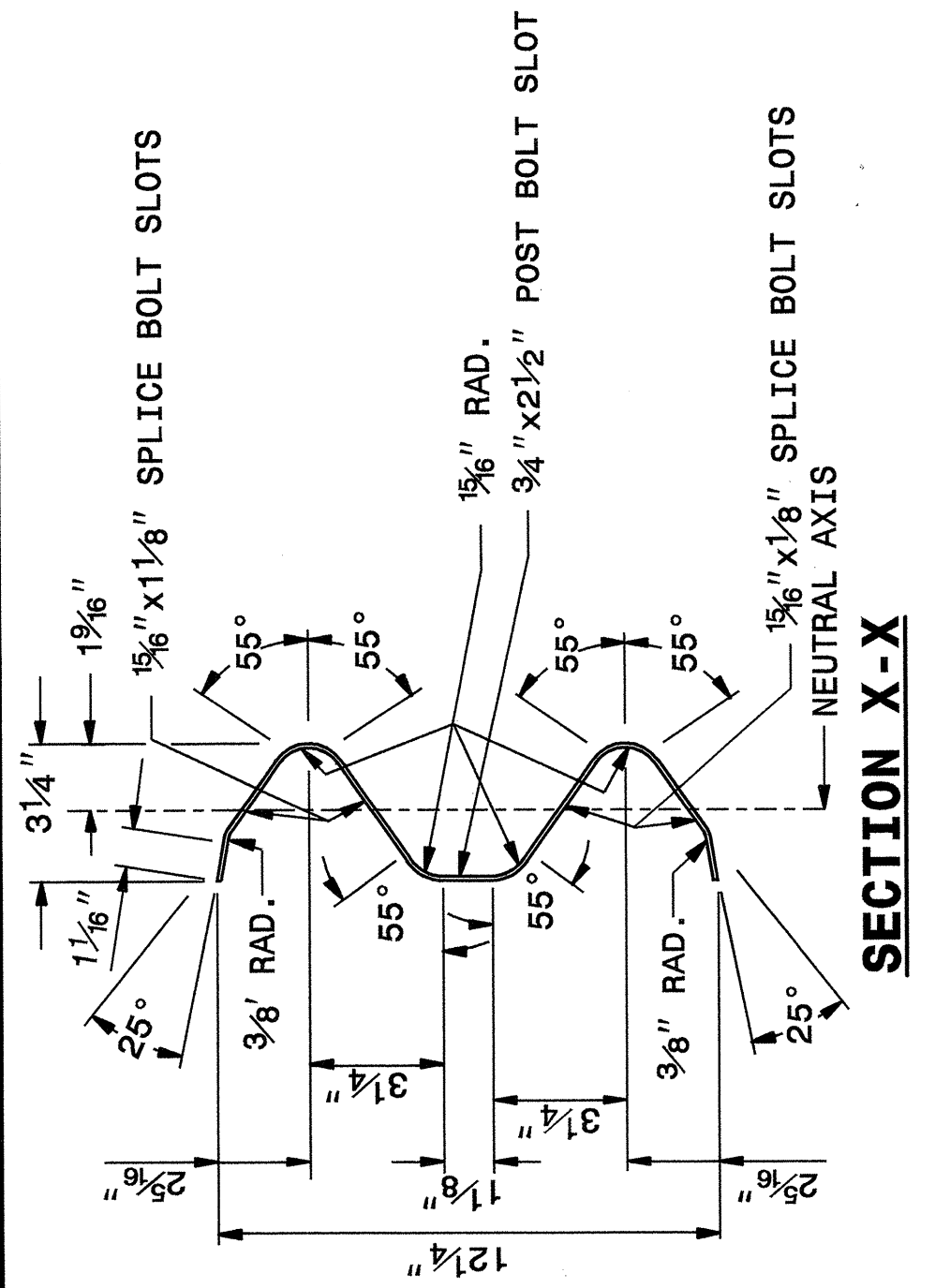


SYSTEM PARTS



SYSTEM PARTS - GENERAL USE

29-APR-2004 lit01 M:\Special_Details\newjward\stds\02\Std to Special_Details\english\862D02\0862d02.dgn 5/14/99

DESIGN SERVICES UNIT STANDARDS AND SPECIAL DESIGN
Office 919-250-4128 FAX 919-250-4119

SEE PLATE FOR TITLE

ORIGINAL BY: 2002 STD.862.02 DATE: 02-09-03
 MODIFIED BY: E.E. WARD DATE: 4-24-04
 CHECKED BY: JOEL S. HOWARD DATE: 1/22/04
 FILE SPEC.: I:\stds\02todetail\enq11sh\86202\862d02.dgn

