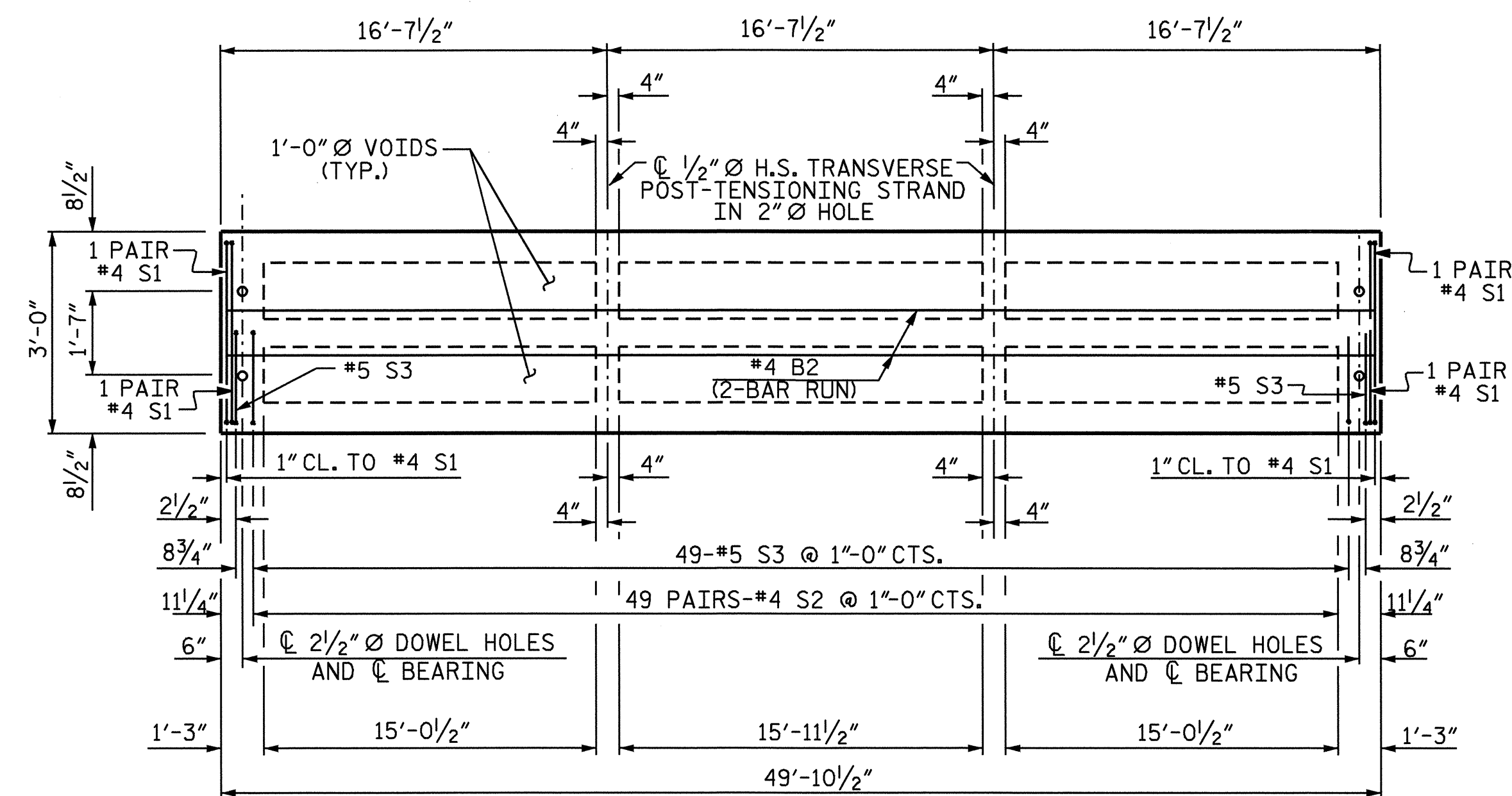
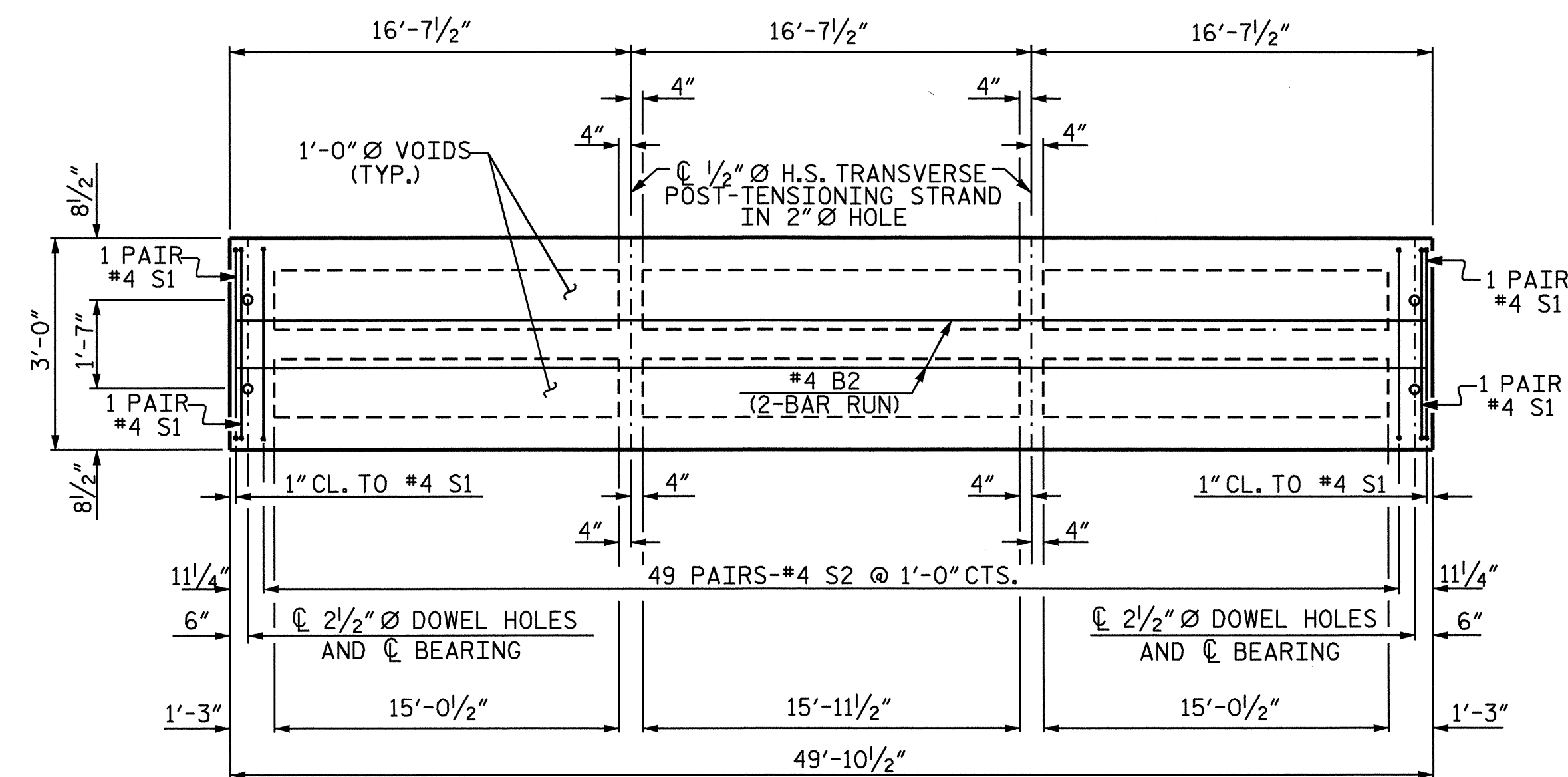


SPAN B THRU D



PLAN OF EXTERIOR CORED SLAB UNIT



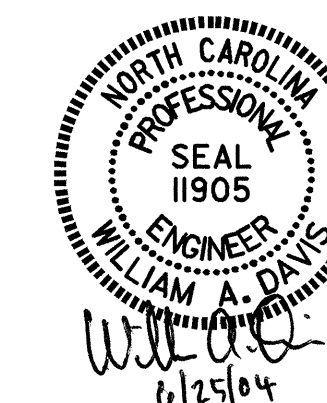
PLAN OF INTERIOR CORED SLAB UNIT

PROJECT NO. B-3629
CASWELL COUNTY
STATION: 26+65.00 -L-

SHEET 3 OF 5

STATE OF NORTH CAROLINA
DEPARTMENT OF TRANSPORTATION
RALEIGH

SUPERSTRUCTURE
PLAN OF SPAN B THRU D



DRAWN BY: J.D. HAWK DATE: 1-12-04
CHECKED BY: J.G. KHARVA DATE: 1-15-04

REVISIONS						SHEET NO.
NO.	BY:	DATE:	NO.	BY:	DATE:	S-6
1			3			TOTAL SHEETS
2			4			26