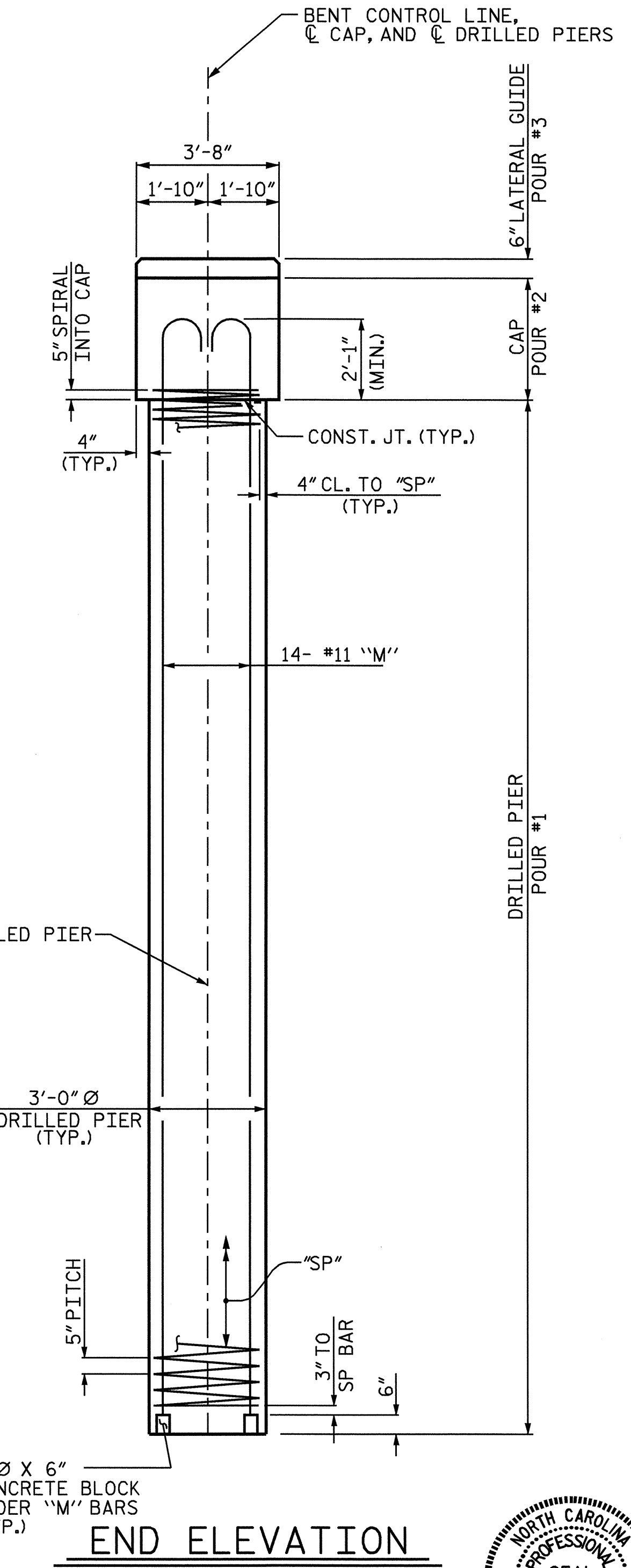
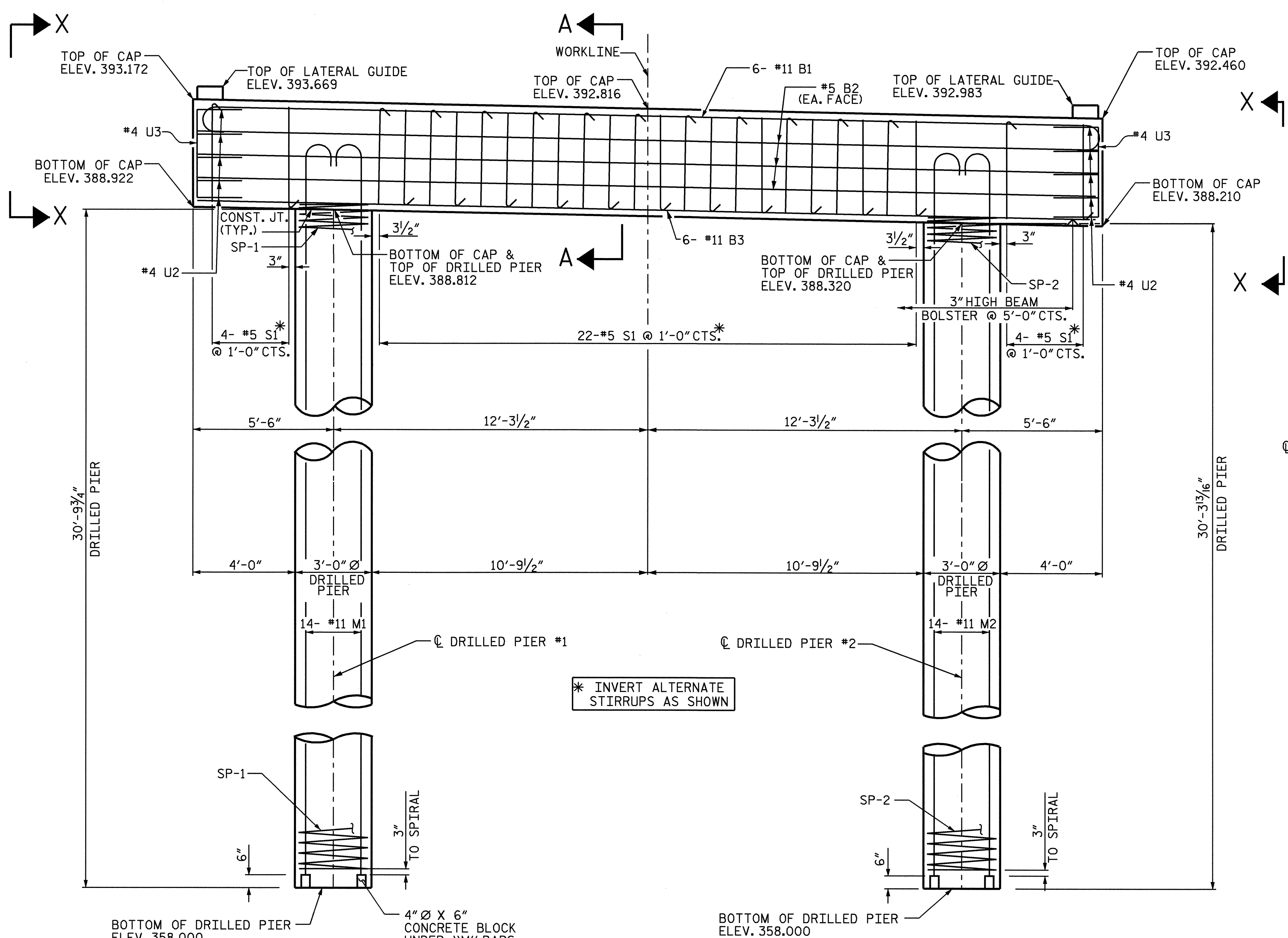
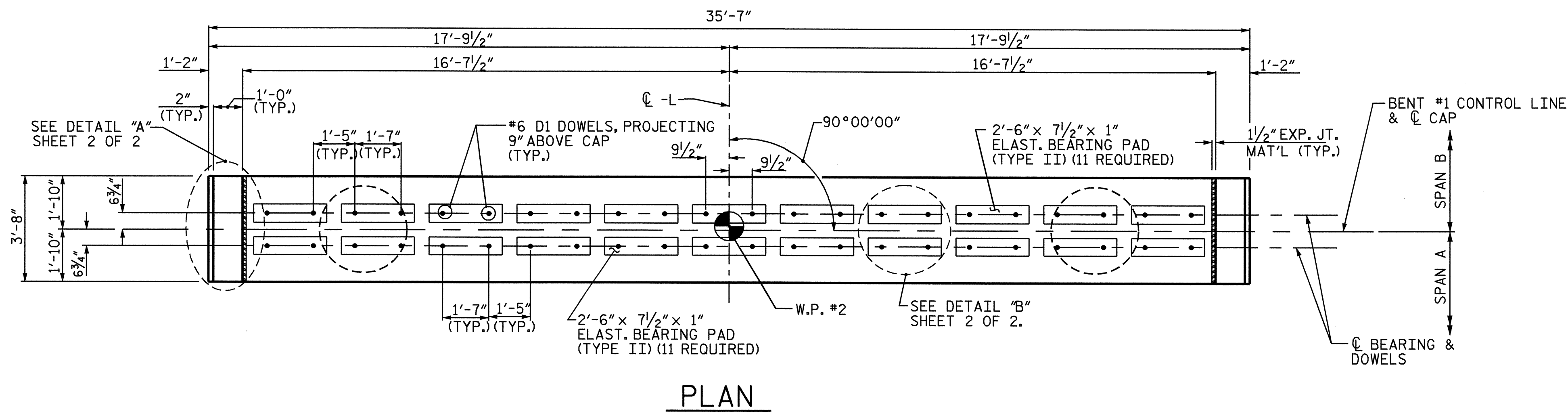


NOTES

STIRRUPS IN CAP MAY BE SHIFTED AS NECESSARY TO CLEAR DOWELS.  
 HOOKS ON "M" BARS MAY BE TURNED AS NECESSARY FOR PLACING REINFORCING STEEL.  
 ALL STEEL IN THE DRILLED PIERS IS INCLUDED IN THE PAY ITEMS FOR "REINFORCING STEEL" AND "SPIRAL COLUMN REINFORCING STEEL".  
 THE CONTRACTORS ATTENTION IS CALLED TO THE FACT THAT THE LONGITUDINAL REINFORCEMENT FOR THE DRILLED PIERS IS DETAILED WITH 3 FEET OF EXTRA LENGTH.  
 THE LATERAL GUIDE AT EACH END OF THE CAP, IS NOT TO BE POURED UNTIL AFTER THE CORED SLAB UNITS ARE IN PLACE.



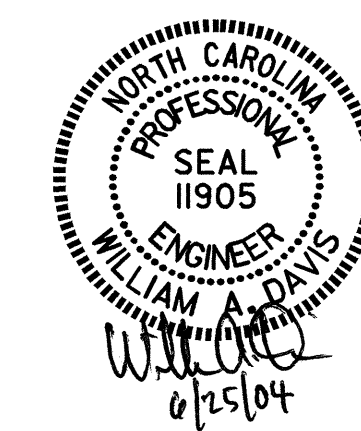
DRAWN BY : GEORGE COOPER DATE : 3/15/04  
 CHECKED BY : J.G. KHARVA DATE : 4/21/04

25-JUN-2004 10:27  
 W:\squadh\b3629\jharva\Drawings\B-3629.ed.B.01.dgn  
 Jdhawk

ELEVATION

PROJECT NO. B-3629  
 CASWELL COUNTY  
 STATION: 26+65.00-L-  
 SHEET 1 OF 2

STATE OF NORTH CAROLINA DEPARTMENT OF TRANSPORTATION RALEIGH					
SUBSTRUCTURE BENT #1					
REVISIONS					
NO.	BY:	DATE:	NO.	BY:	DATE:
1			3		
2			4		
SHEET NO. S-12					TOTAL SHEETS 26



NCB06