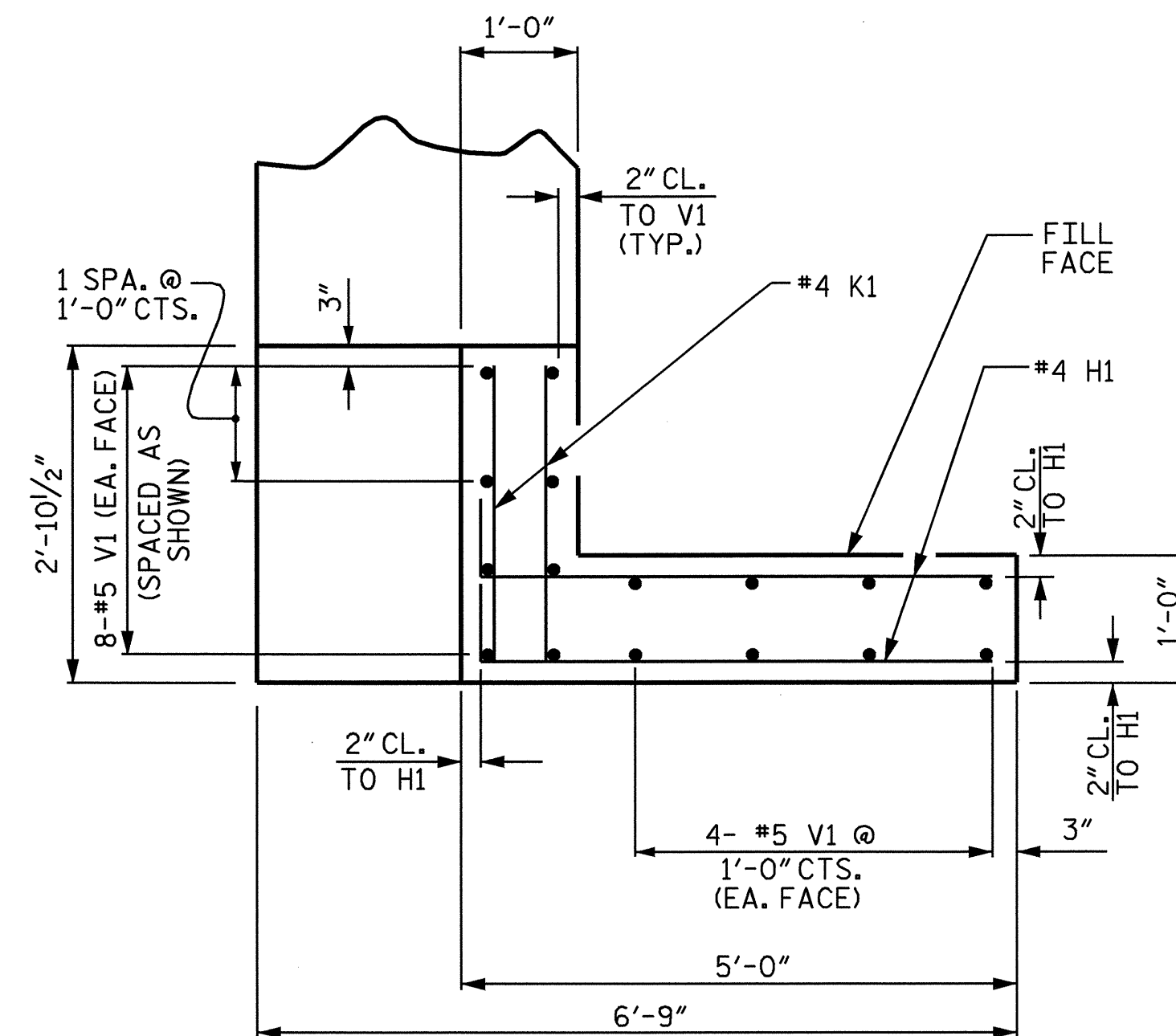
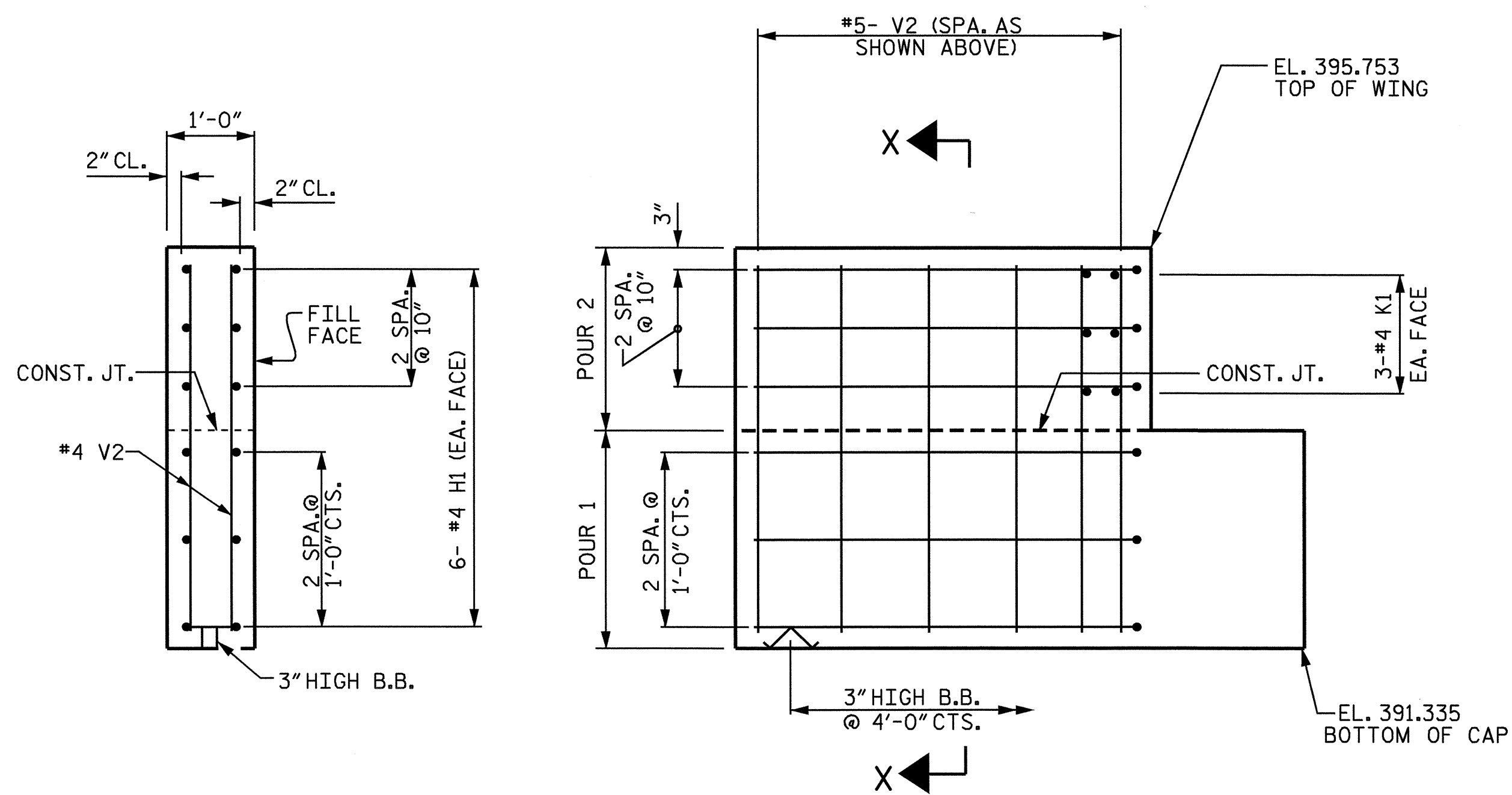


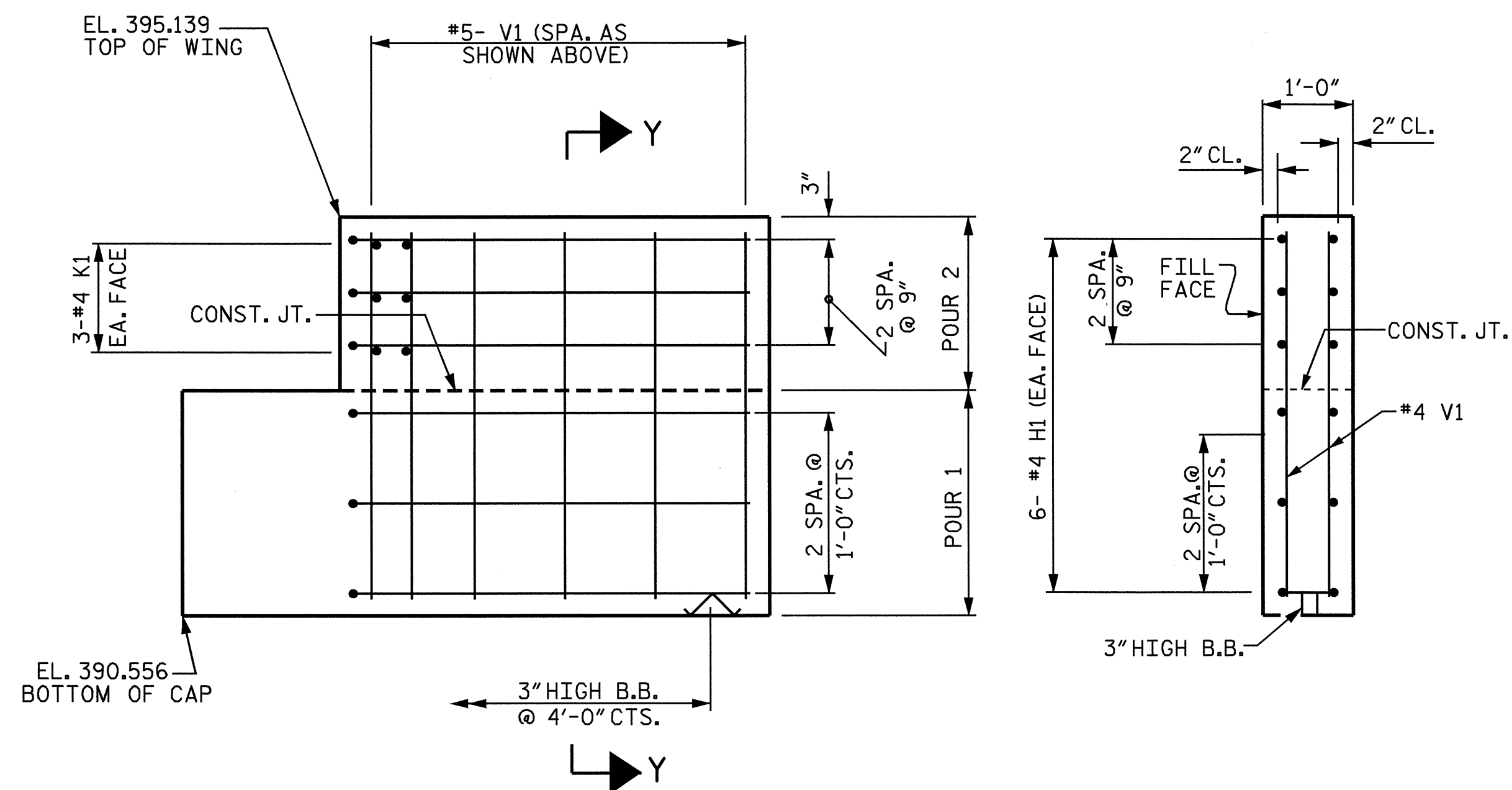
PLAN OF W1



PLAN OF W2



SECTION X-X



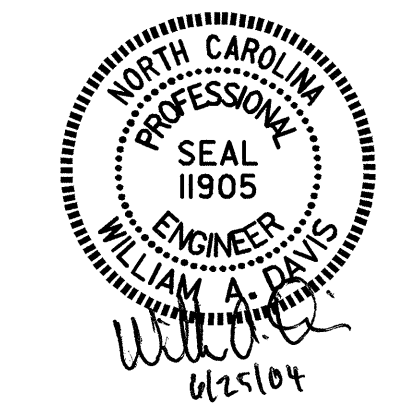
ELEVATION OF W2

SECTION Y-Y

PROJECT NO. B-3629
CASWELL COUNTY
 STATION: 26+65.00 -L-

SHEET 2 OF 3

STATE OF NORTH CAROLINA DEPARTMENT OF TRANSPORTATION RALEIGH					
SUBSTRUCTURE END BENT #2					
REVISIONS					
NO.	BY:	DATE:	NO.	BY:	DATE:
1			3		
2			4		
					SHEET NO. S-21
					TOTAL SHEETS 26



DRAWN BY: G.O. COOPER DATE: 1/4/04
 CHECKED BY: J.G. KHARVA DATE: 4/16/04