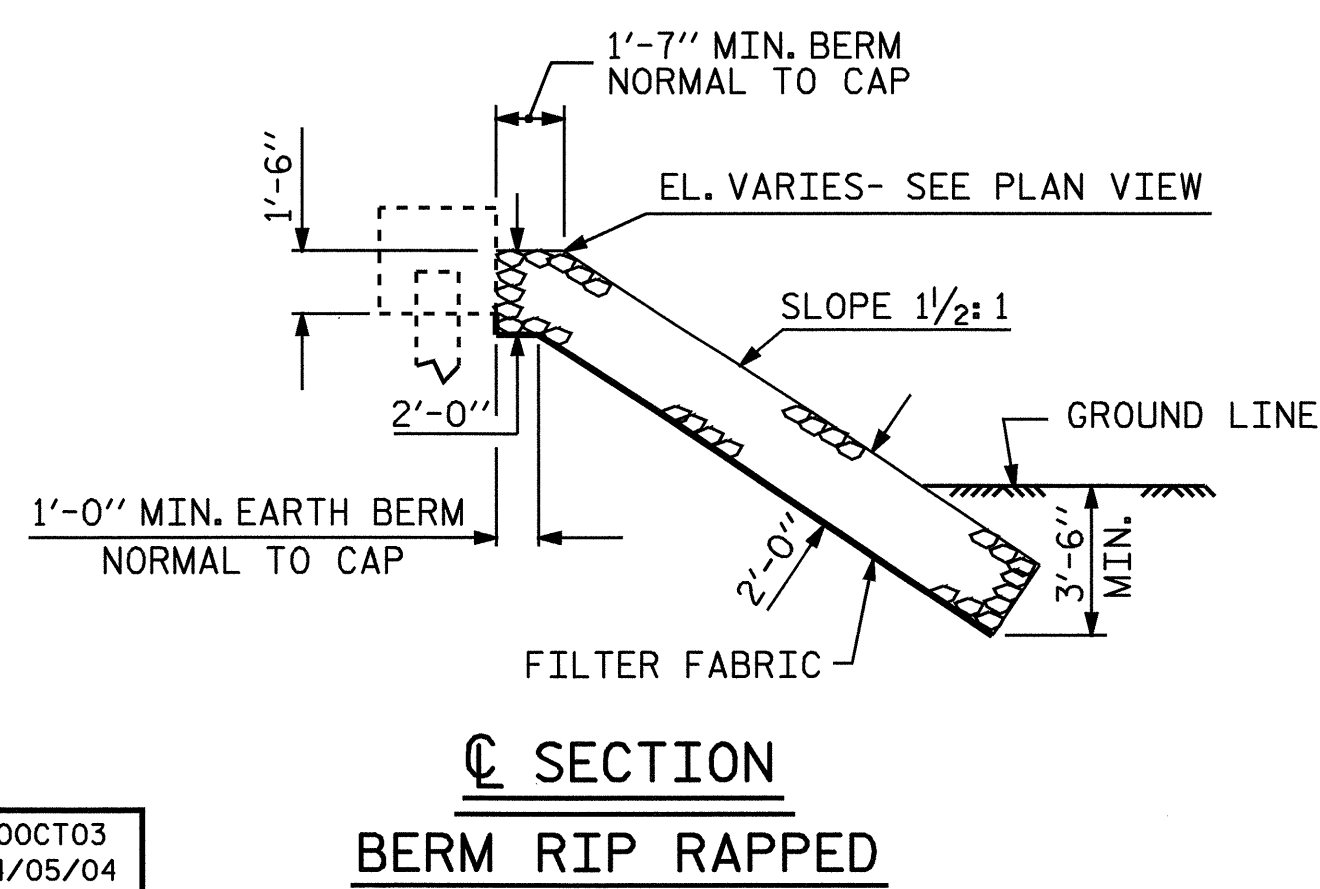
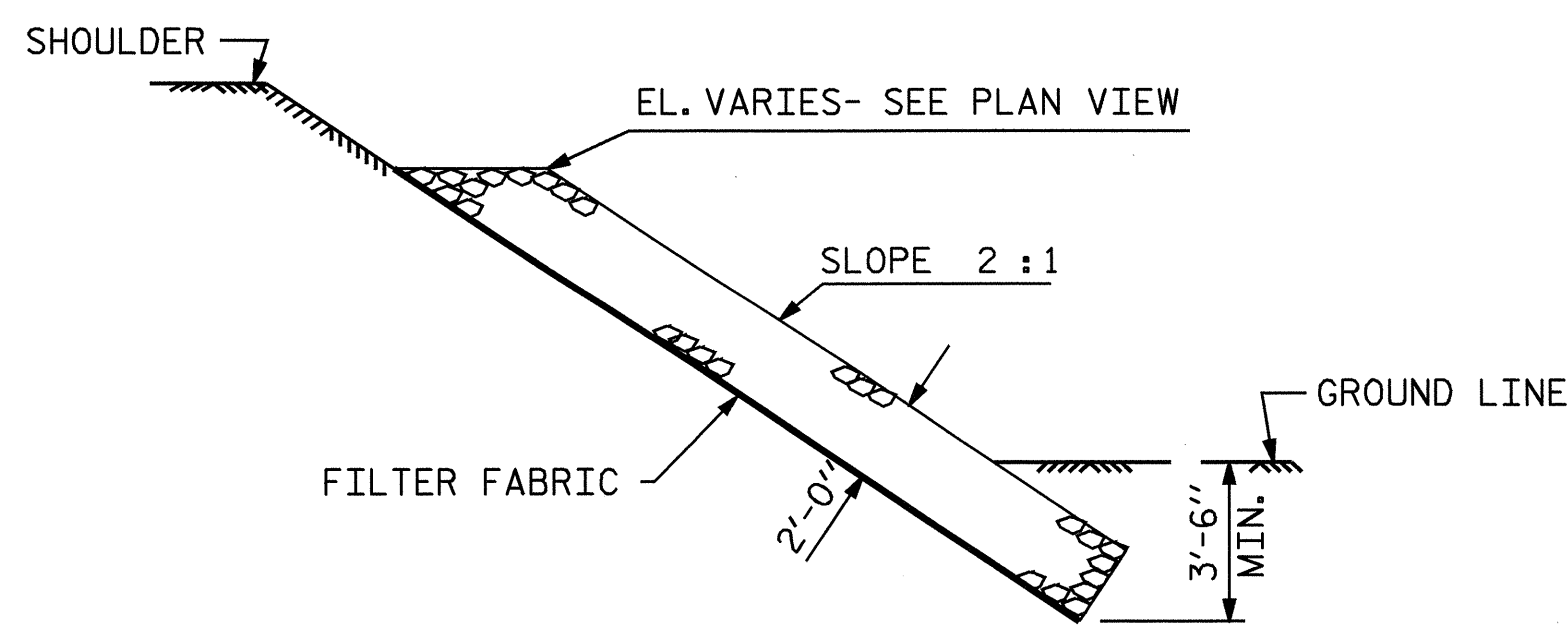


PLAN

ESTIMATED QUANTITIES		
BRIDGE @ STA. 26+65.00 -L-	PLAIN RIP RAP CLASS II	FILTER FABRIC FOR DRAINAGE
	TONS	SQUARE YARDS
END BENT #1	220	243
END BENT #2	170	190

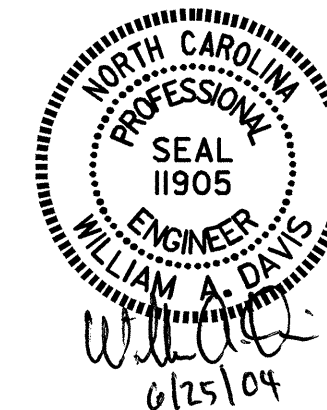


SECTION BERM RIP RAPPED



SECTION C-C

PROJECT NO. B-3629
CASWELL COUNTY
 STATION: 26+65.00 -L-



STATE OF NORTH CAROLINA DEPARTMENT OF TRANSPORTATION RALEIGH					
STANDARD RIP RAP DETAILS					
REVISIONS					SHEET NO.
NO.	BY:	DATE:	NO.	BY:	DATE:
1			3		
2			4		
					TOTAL SHEETS 26

ASSEMBLED BY : G.O. COOPER	DATE : 20OCT03
CHECKED BY : J. G. KHARVA	DATE : 04/05/04
DRAWN BY : FCJ 2/88	REV. 7/17/98 REK/RWW
CHECKED BY : ARB 8/88	REV. 8/16/99 RWW/LES
	REV. 10/17/00 RWW/LES