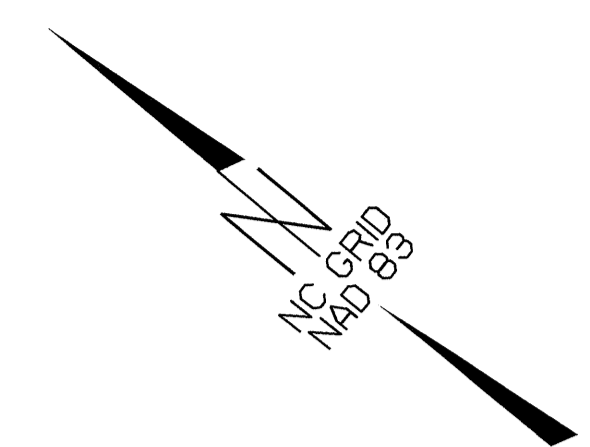
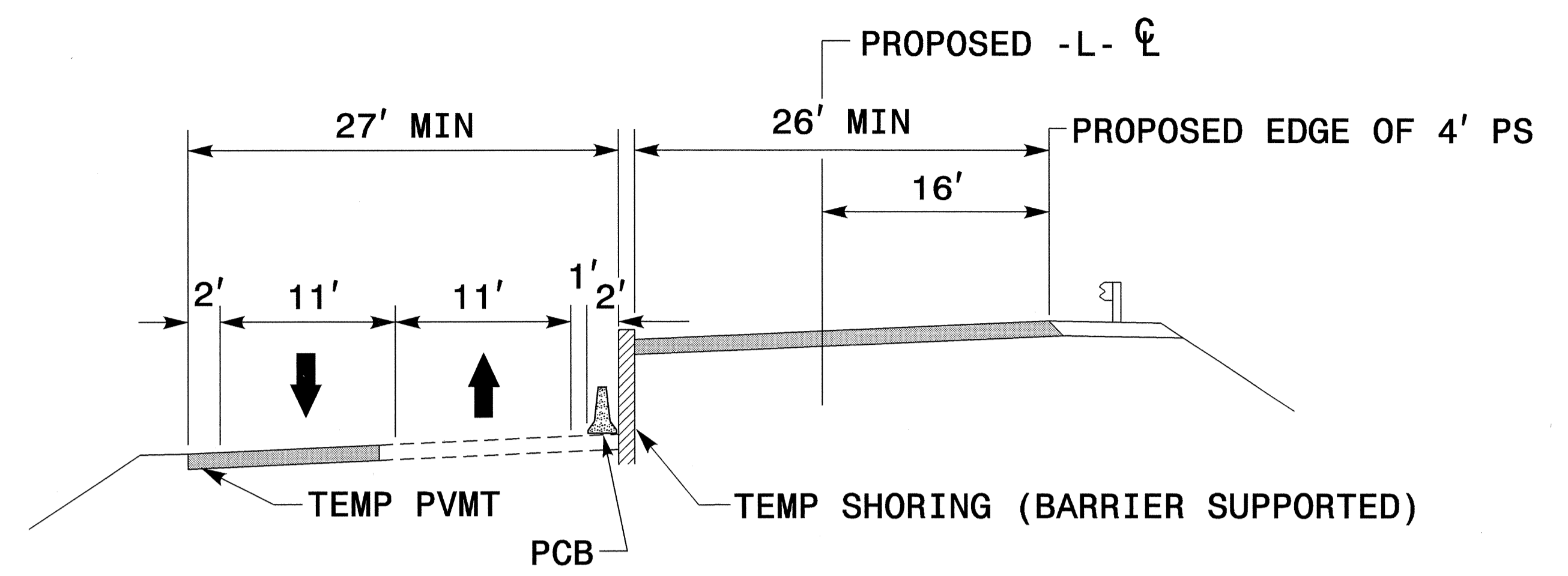
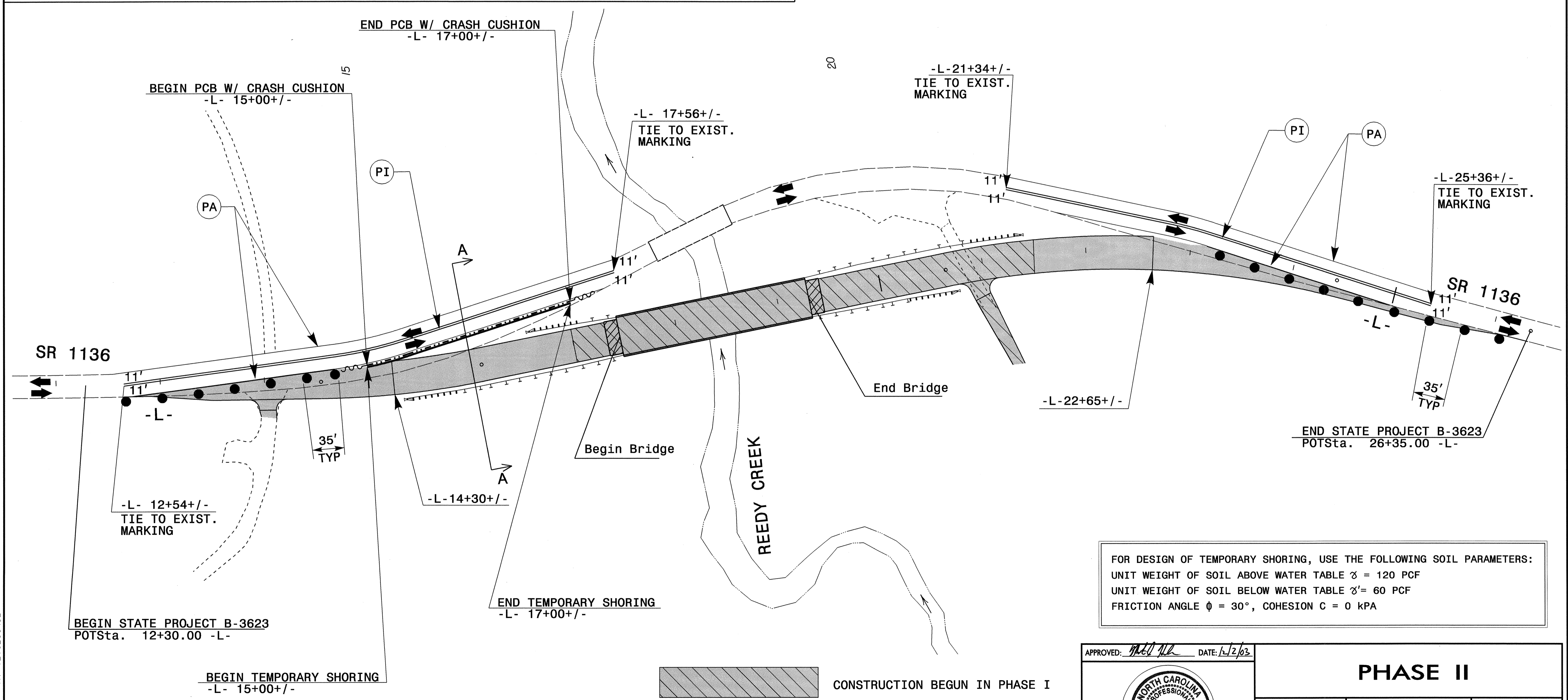


SECTION A-A @ -L- 16+00



25



FOR DESIGN OF TEMPORARY SHORING, USE THE FOLLOWING SOIL PARAMETERS:
 UNIT WEIGHT OF SOIL ABOVE WATER TABLE $\gamma = 120$ PCF
 UNIT WEIGHT OF SOIL BELOW WATER TABLE $\gamma' = 60$ PCF
 FRICTION ANGLE $\phi = 30^\circ$, COHESION $c = 0$ KPA

CONSTRUCTION BEGUN IN PHASE I

02-DEC-2003 08:39
 GEN:TCPAB3623.TC-base01.dgn
 DER:richardson AT TEL:206-432

APPROVED: DATE: 4/2/03	PHASE II	
	SCALE: NONE	
	DATE: 04/03	
	DWG. BY: DER	
	DESIGN BY: DER	
REVIEWED BY: MJH	REVISIONS	