

22-MAY-2003 10:17
W:\Special Details\encl\ward\stds\02\Std to Special Details\english\86202.0862d02.dgn
encl\ward At 05212260

5/14/99

PROJECT REFERENCE NO. **B-3623**
SHEET NO. **2-0**

STATE OF NORTH CAROLINA
DEPT. OF TRANSPORTATION
DIVISION OF HIGHWAYS
RALEIGH, N.C.

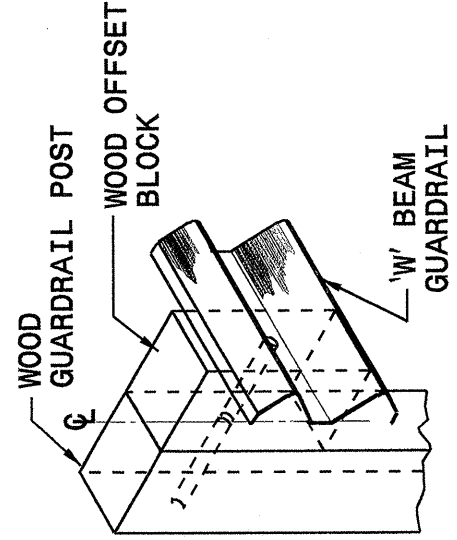
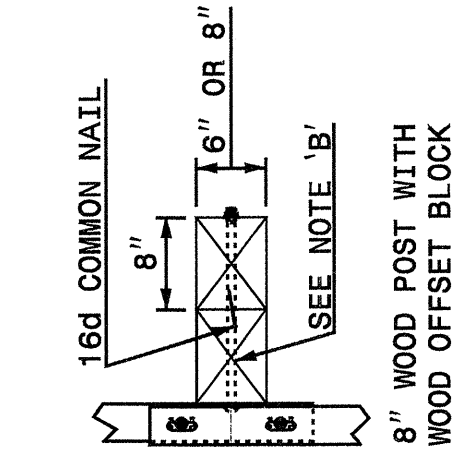
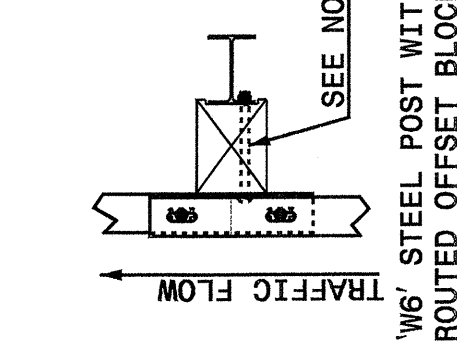
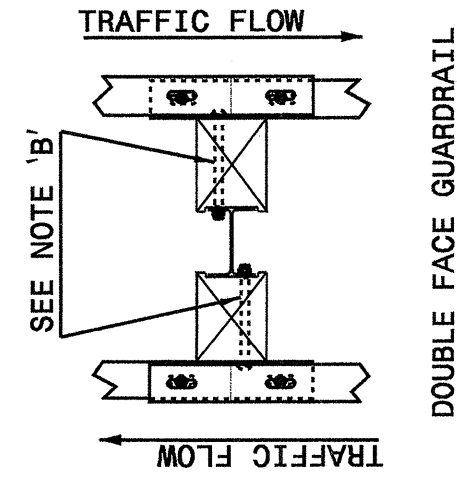
**ENGLISH DETAIL DRAWING FOR
GUARDRAIL INSTALLATION**

SHEET 3 OF 7
862D02

STATE OF NORTH CAROLINA
DEPT. OF TRANSPORTATION
DIVISION OF HIGHWAYS
RALEIGH, N.C.

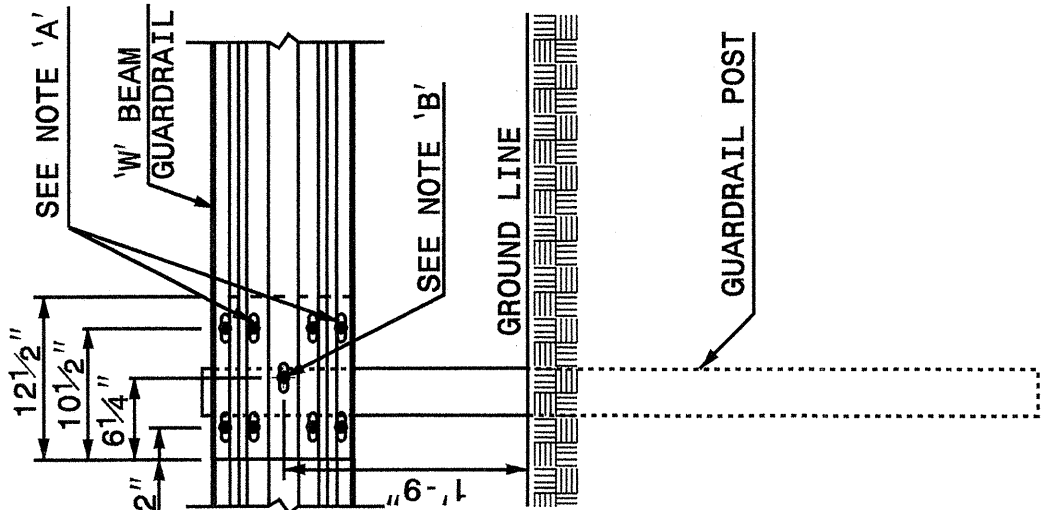
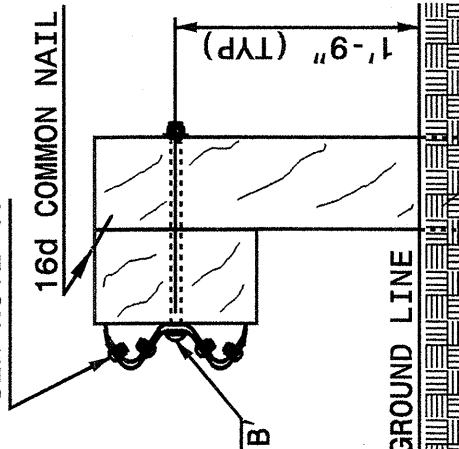
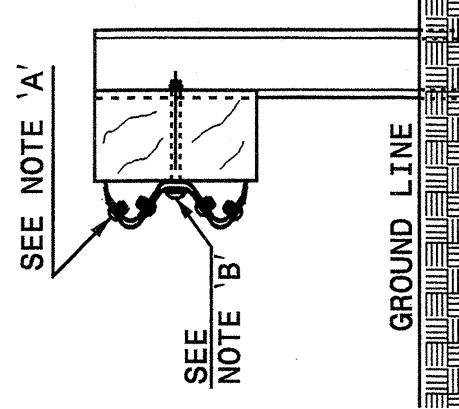
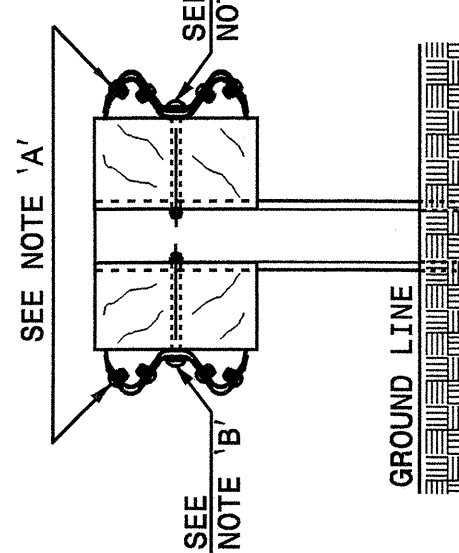
**ENGLISH DETAIL DRAWING FOR
GUARDRAIL INSTALLATION**

SHEET 3 OF 7
862D02



PLAN

ISOMETRIC VIEWS



FRONT

FRONT

FRONT

SIDE

SIDE

NOTES:
A - 9/8" DIA. BUTTON HEAD SPLICE BOLT 1 1/4" LONG WITH STD. WASHER UNDER NUT (8 REQ. PER SPLICE JOINT).
B - 9/8" DIA. BUTTON HEAD BOLT 7 1/2" / 9" LONG WITH NUT FOR BOLTING 6" / 8" ROUTED OFFSET BLOCK TO STEEL POSTS OR
5/8" DIA. BUTTON HEAD BOLT 18" LONG WITH STD. WASHER UNDER NUT FOR BOLTING TO WOOD POSTS (1 REQ. PER LOCATION)
C - FIELD PUNCHING OF HOLES INTO GUARDRAIL SHALL BE AS DIRECTED BY THE ENGINEER.

TYPICAL GUARDRAIL AND GUARDRAIL POST ALTERNATIVES

STATE OF NORTH CAROLINA
DEPT. OF TRANSPORTATION
DIVISION OF HIGHWAYS
RALEIGH, N.C.

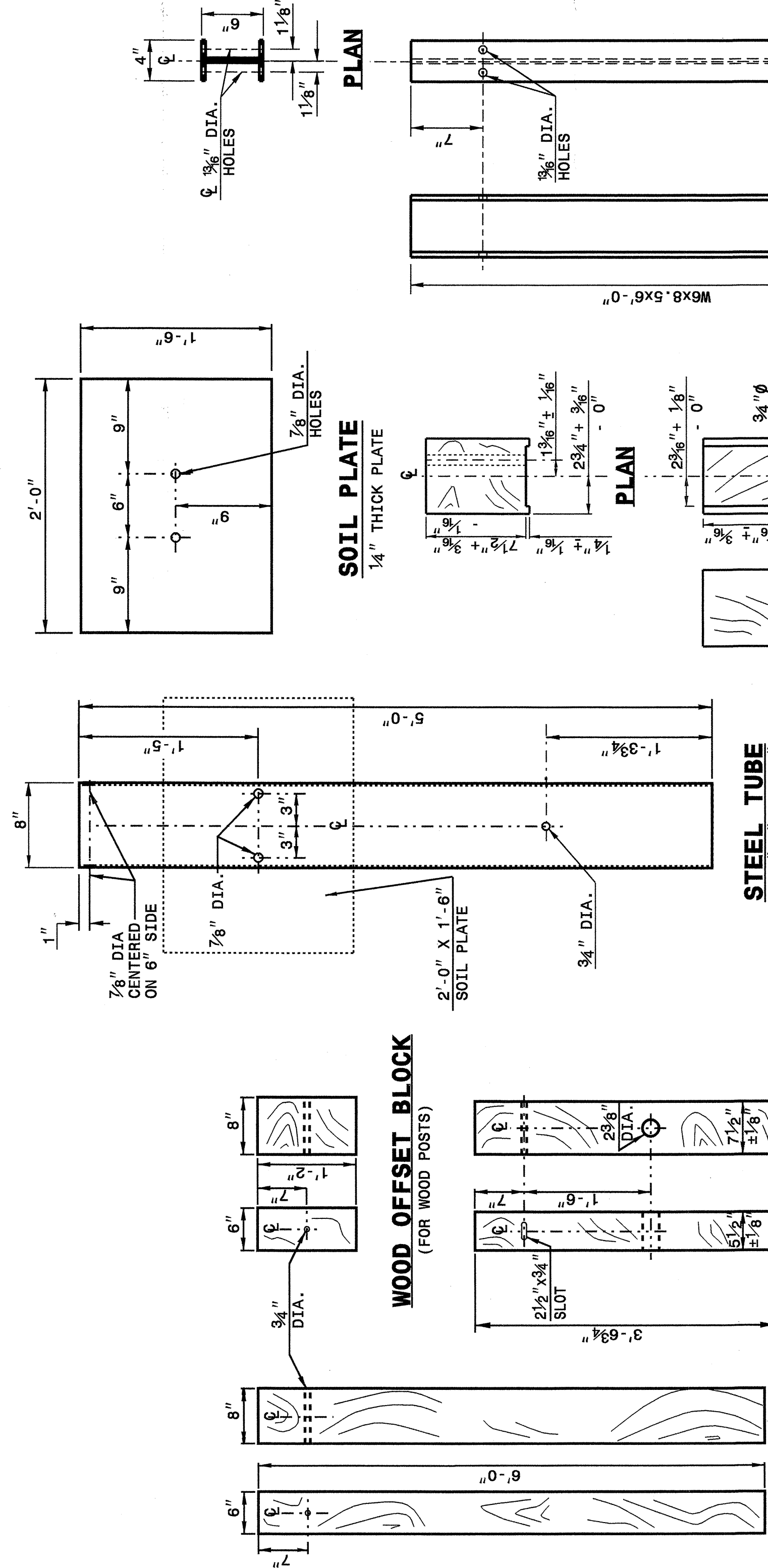
**ENGLISH DETAIL DRAWING FOR
GUARDRAIL INSTALLATION**

SHEET 4 OF 7
862D02

STATE OF NORTH CAROLINA
DEPT. OF TRANSPORTATION
DIVISION OF HIGHWAYS
RALEIGH, N.C.

**ENGLISH DETAIL DRAWING FOR
GUARDRAIL INSTALLATION**

SHEET 4 OF 7
862D02



SYSTEM PARTS

DESIGN SERVICES UNIT
STANDARDS AND SPECIAL DESIGN
Office 919-250-4128 FAX 919-250-4119

SEE PLATE FOR TITLE

ORIGINAL BY: 2002 STD.862.02 DATE:
MODIFIED BY: E. E. WARD DATE: 02-09-03
CHECKED BY: *[Signature]* DATE: 5-02
FILE SPEC.: /usr/stg/02todet/eng/1sh/86202/862d02.dgn

