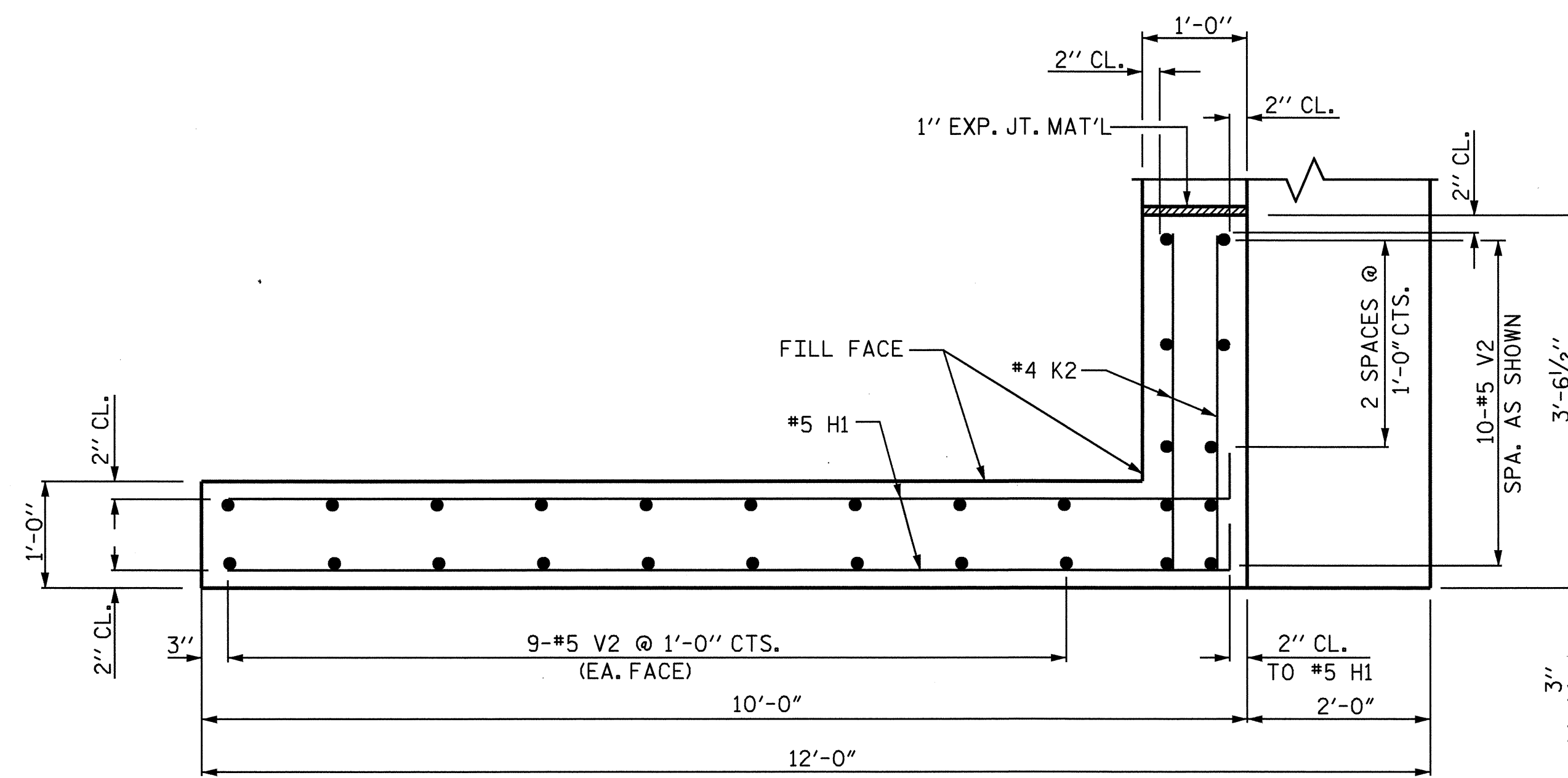
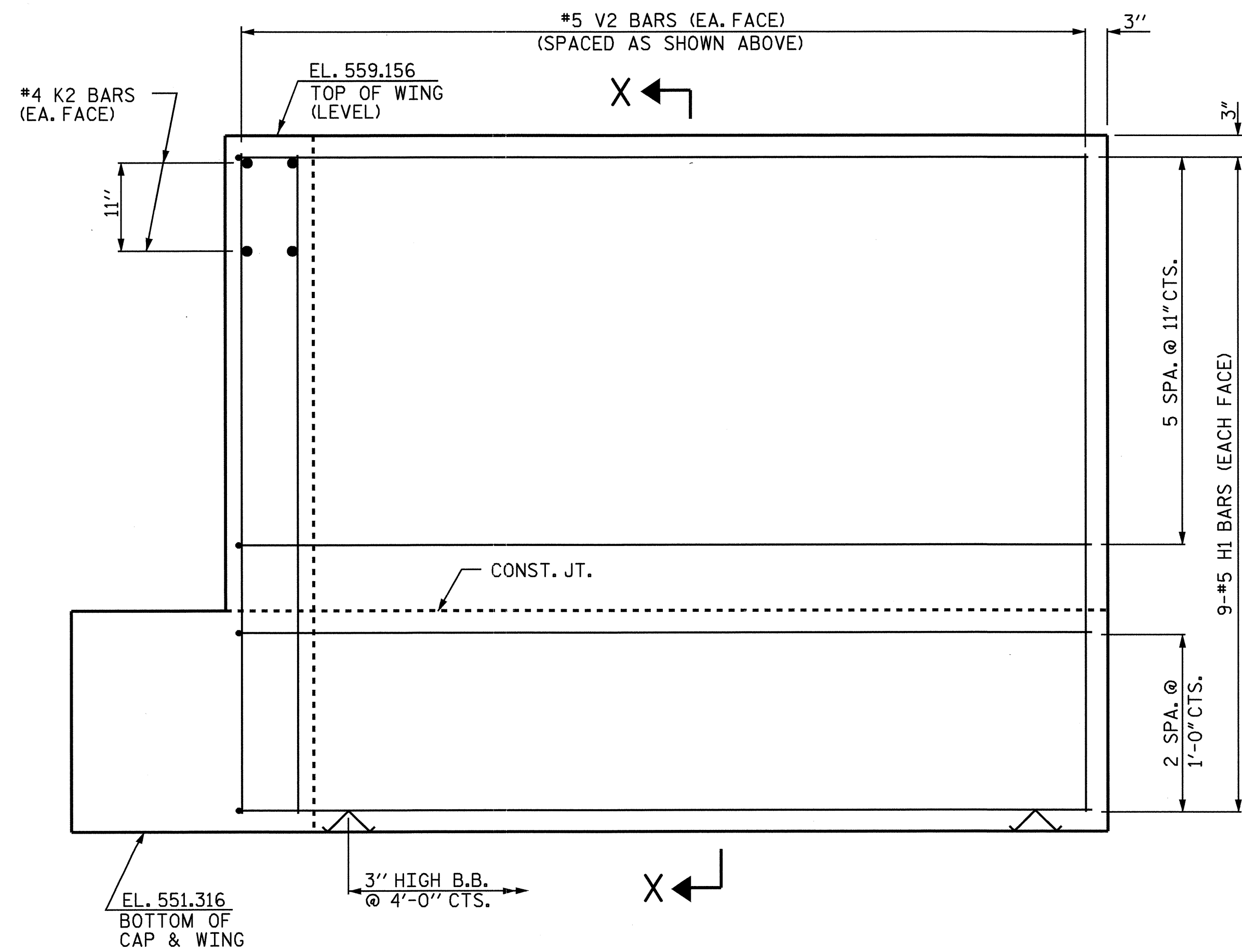


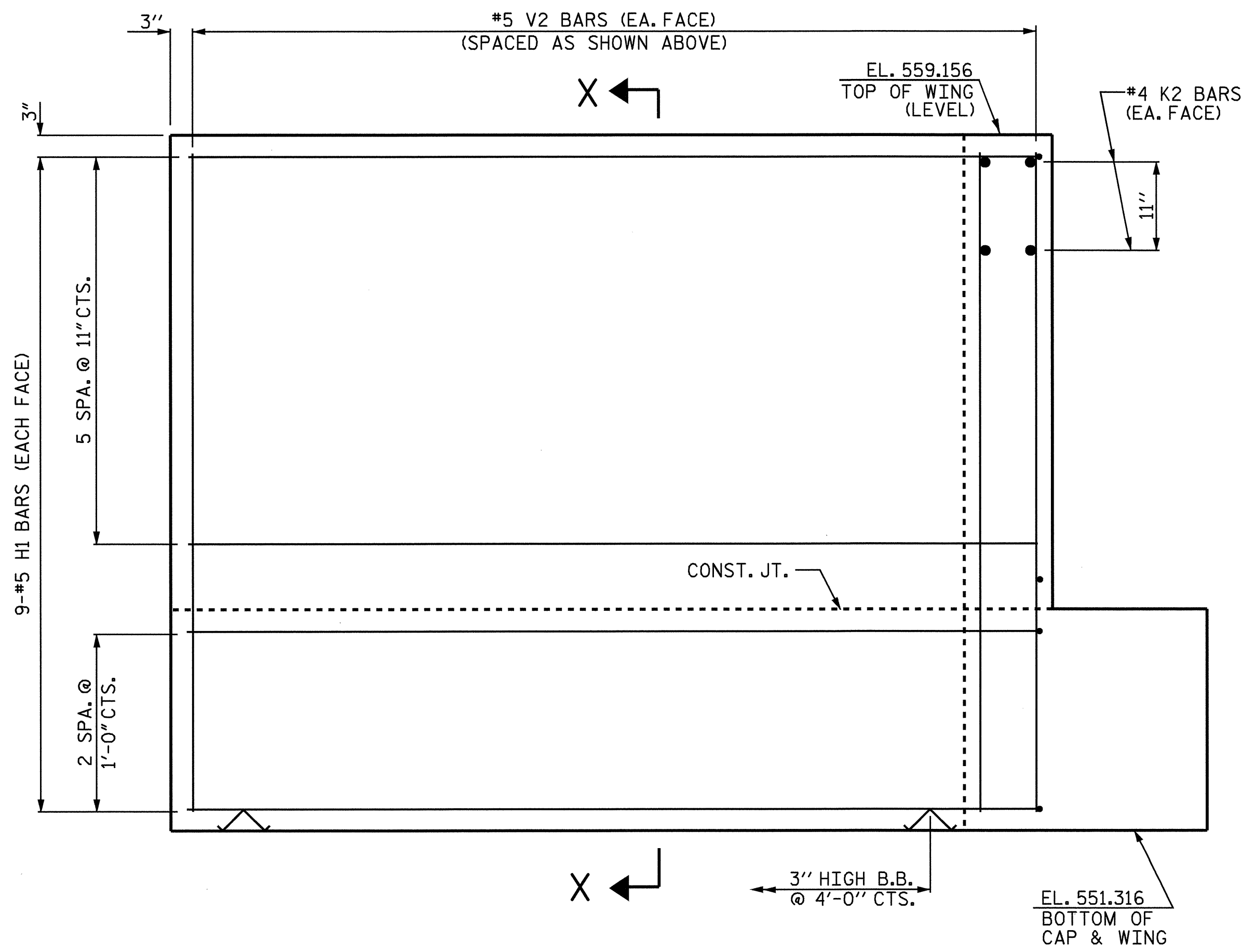
PLAN OF WING (W2)



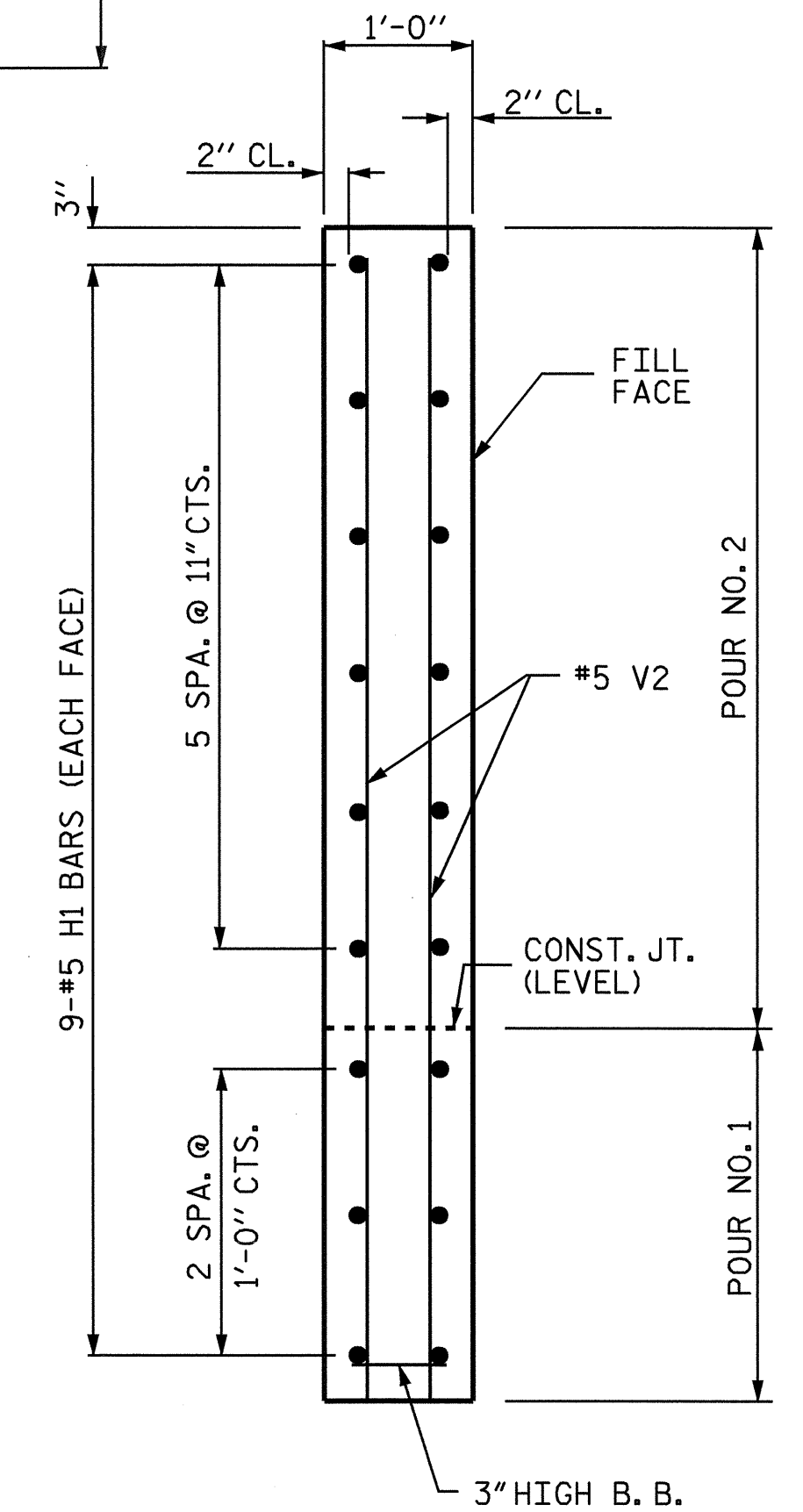
PLAN OF WING (W1)



ELEVATION OF WING (W2)



ELEVATION OF WING (W1)

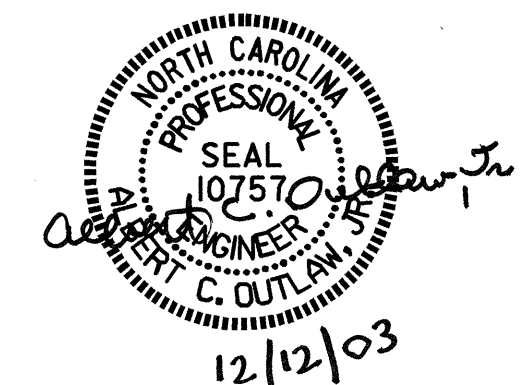


SECTION X-X

PROJECT NO. B-3623  
 CABARRUS COUNTY  
 STATION: 18+37.50 -L-

SHEET 2 OF 3

STATE OF NORTH CAROLINA DEPARTMENT OF TRANSPORTATION RALEIGH					
SUBSTRUCTURE END BENT No. 2					
REVISIONS					
NO.	BY:	DATE:	NO.	BY:	DATE:
1			3		
2			4		
SHEET NO. S-30					TOTAL SHEETS 34



DRAWN BY: D.L. PLATICA DATE: 5/19/03  
 CHECKED BY: P.C. BREWER DATE: 9/27/03