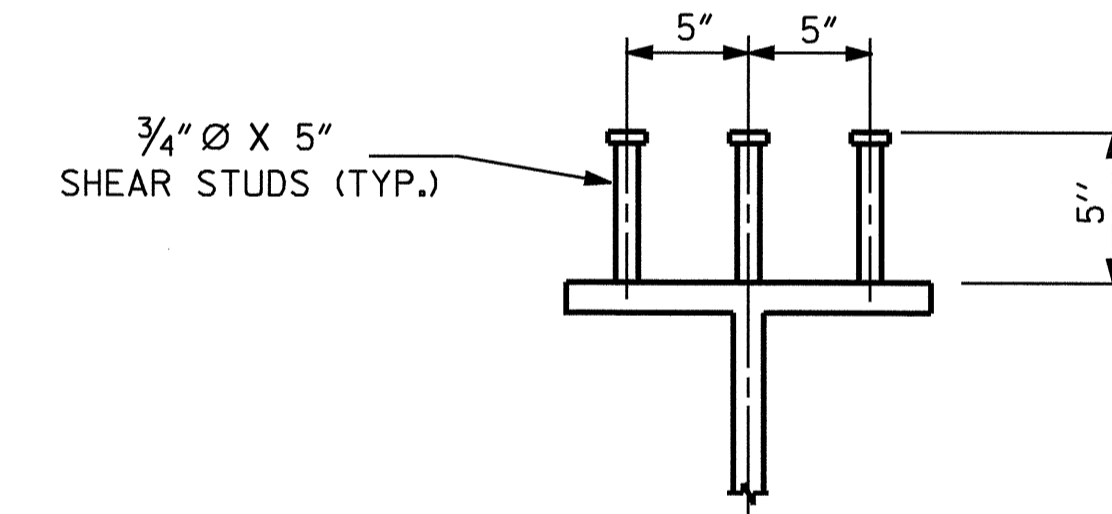


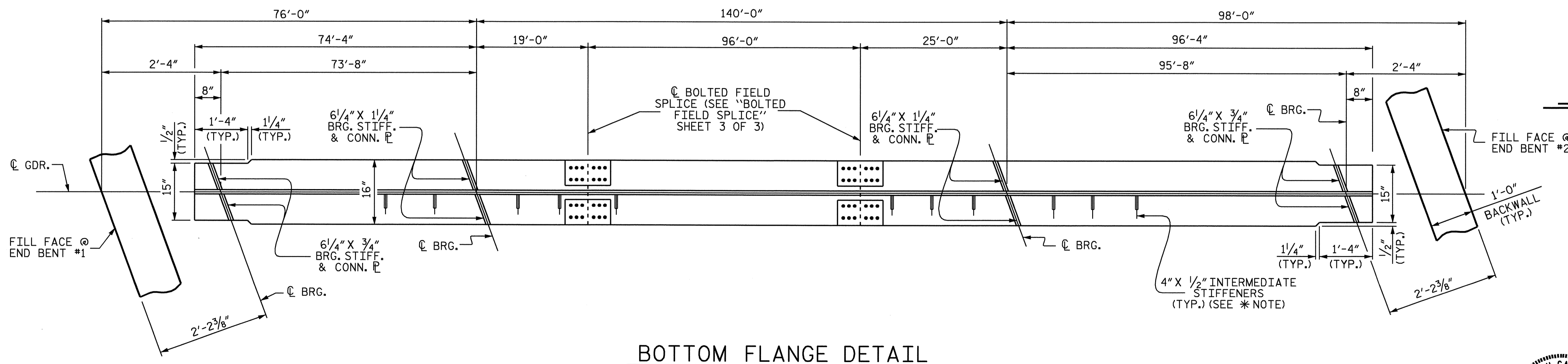
* NOTE : INTERMEDIATE STIFFENERS ARE NOT TO BE PLACED ON THE OUTSIDE OF EXTERIOR GIRDERS. (SEE FRAMING PLAN FOR LOCATION)

GIRDER ELEVATION

3 SHEAR STUDS PER ROW
(INTERMEDIATE DIAPHRAGMS NOT SHOWN)



SHEAR STUD DETAILS



BOTTOM FLANGE DETAIL

PROJECT NO. B-4010
ASHE COUNTY
 STATION: 20+93.60-L-

SHEET 1 OF 3

STATE OF NORTH CAROLINA
 DEPARTMENT OF TRANSPORTATION
 RALEIGH
 SUPERSTRUCTURE
 STRUCTURAL STEEL



DRAWN BY : L.L. MURPHY DATE : 04-04
 CHECKED BY : D. HODGE DATE : 05-04

25-JUN-2004 12:11
 w:\sdquady\b4010\lrmurphy\Microrotation\B4010_sd_SS_01.dgn
 lrmurphy

REVISIONS						SHEET NO.
NO.	BY:	DATE:	NO.	BY:	DATE:	S-13
1			3			TOTAL SHEETS
2			4			37

NC006