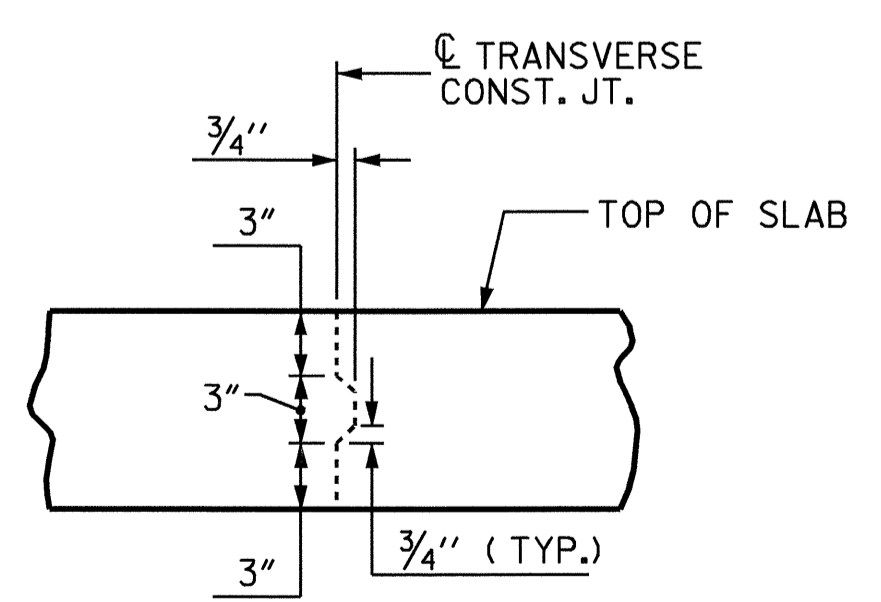


DETAIL A



TRANSVERSE CONSTRUCTION JOINT DETAIL

NOTE: REINFORCING STEEL IN SLAB NOT SHOWN.
LONGITUDINAL REINFORCING STEEL SHALL BE CONTINUOUS THRU JOINT

PLAN OF SPAN A

* TRANSVERSE CONSTRUCTION JOINT IS PARALLEL TO BENT #1 CONTROL LINE.
FOR REINFORCING STEEL IN BARRIER RAIL, SEE "CONCRETE BARRIER RAIL" SHEET.

PROJECT NO. B-4010
ASHE COUNTY
 STATION: 20+93.60-L-

SHEET 1 OF 3



STATE OF NORTH CAROLINA DEPARTMENT OF TRANSPORTATION RALEIGH						SHEET NO. S-9
SUPERSTRUCTURE PLAN OF SPAN A						
REVISIONS						TOTAL SHEETS 37
NO.	BY:	DATE:	NO.	BY:	DATE:	
1			3			
2			4			

DRAWN BY : L.L. MURPHY DATE : 12/03
 CHECKED BY : D. HODGE DATE : 05-04