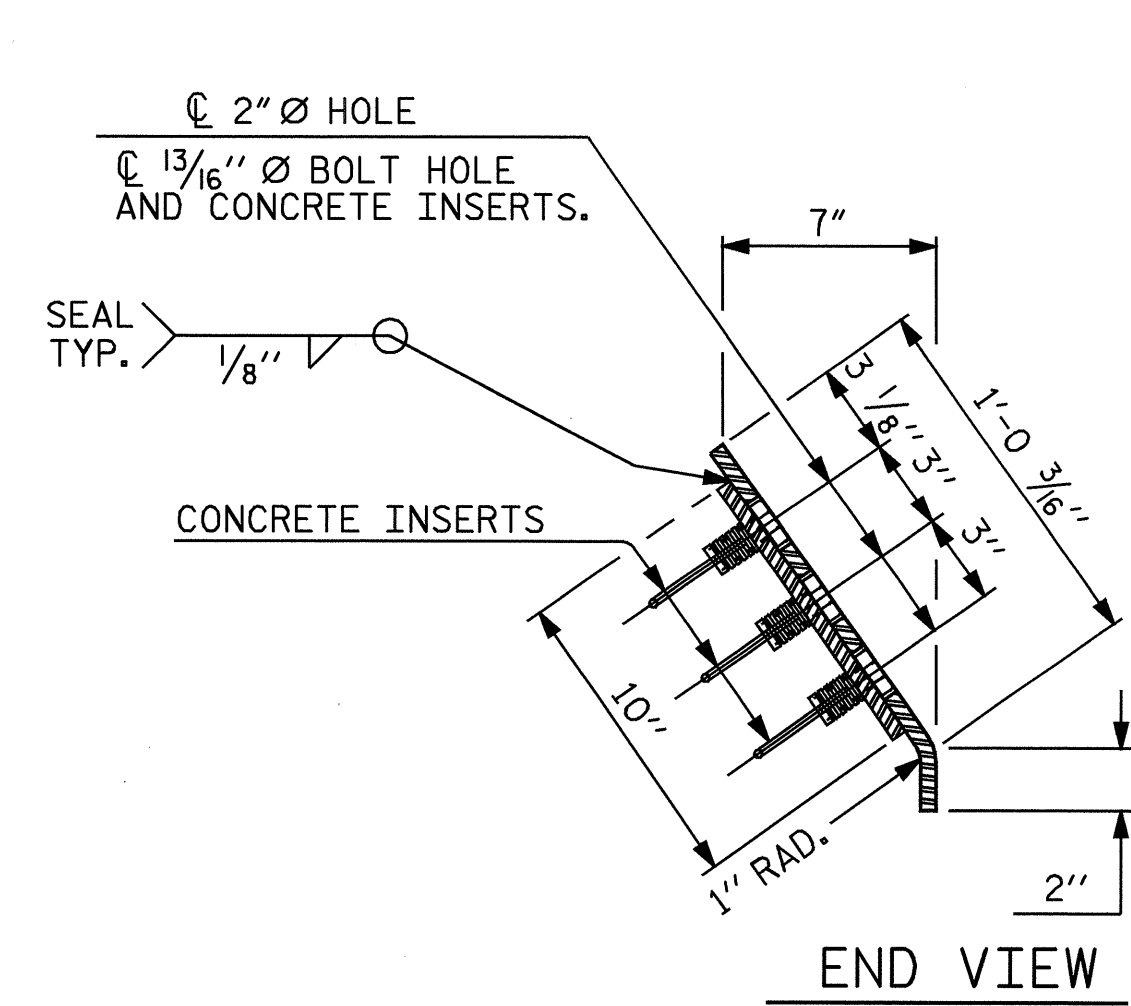
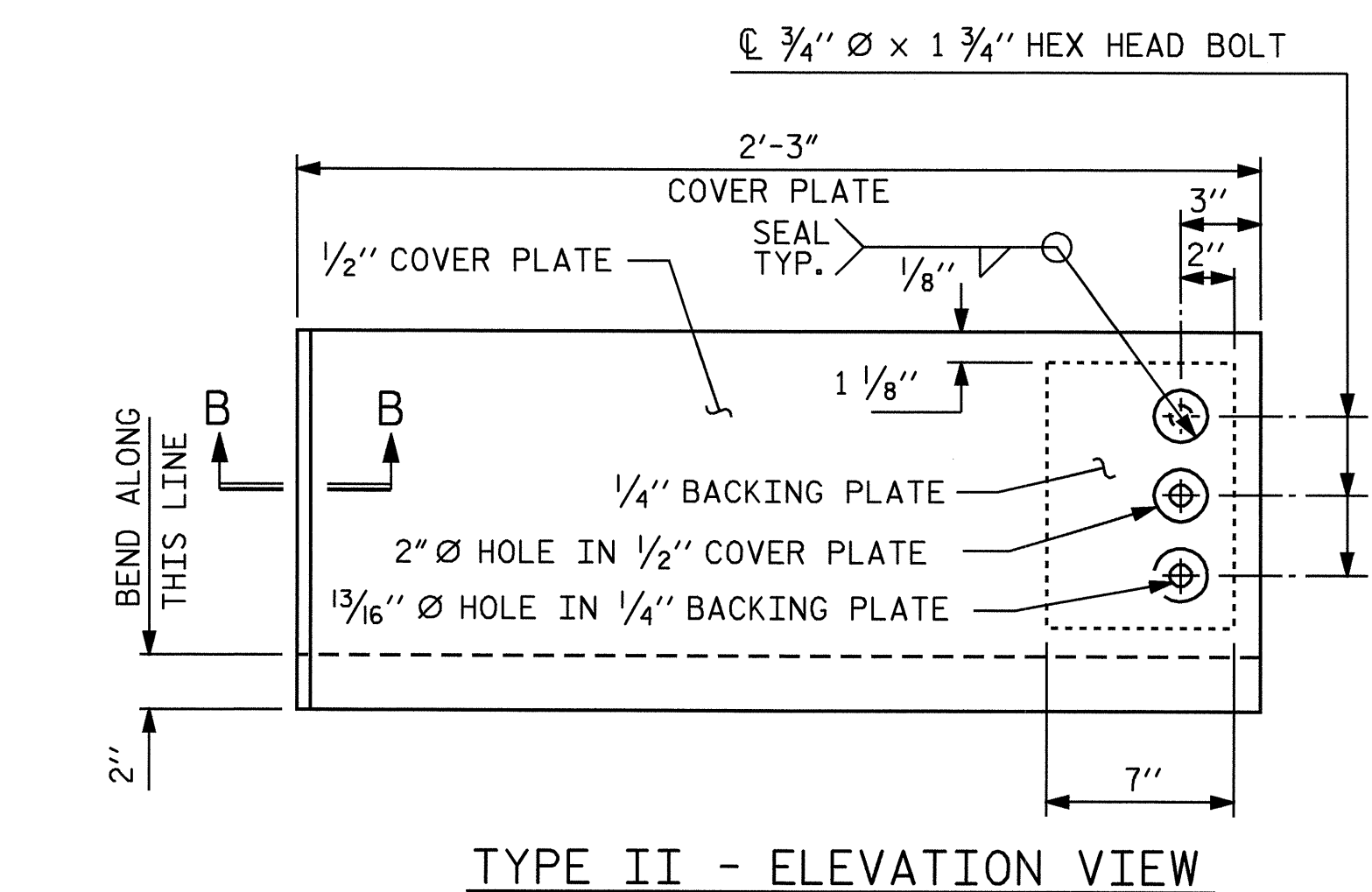


**SECTION THRU RAIL NORMAL TO JOINT**

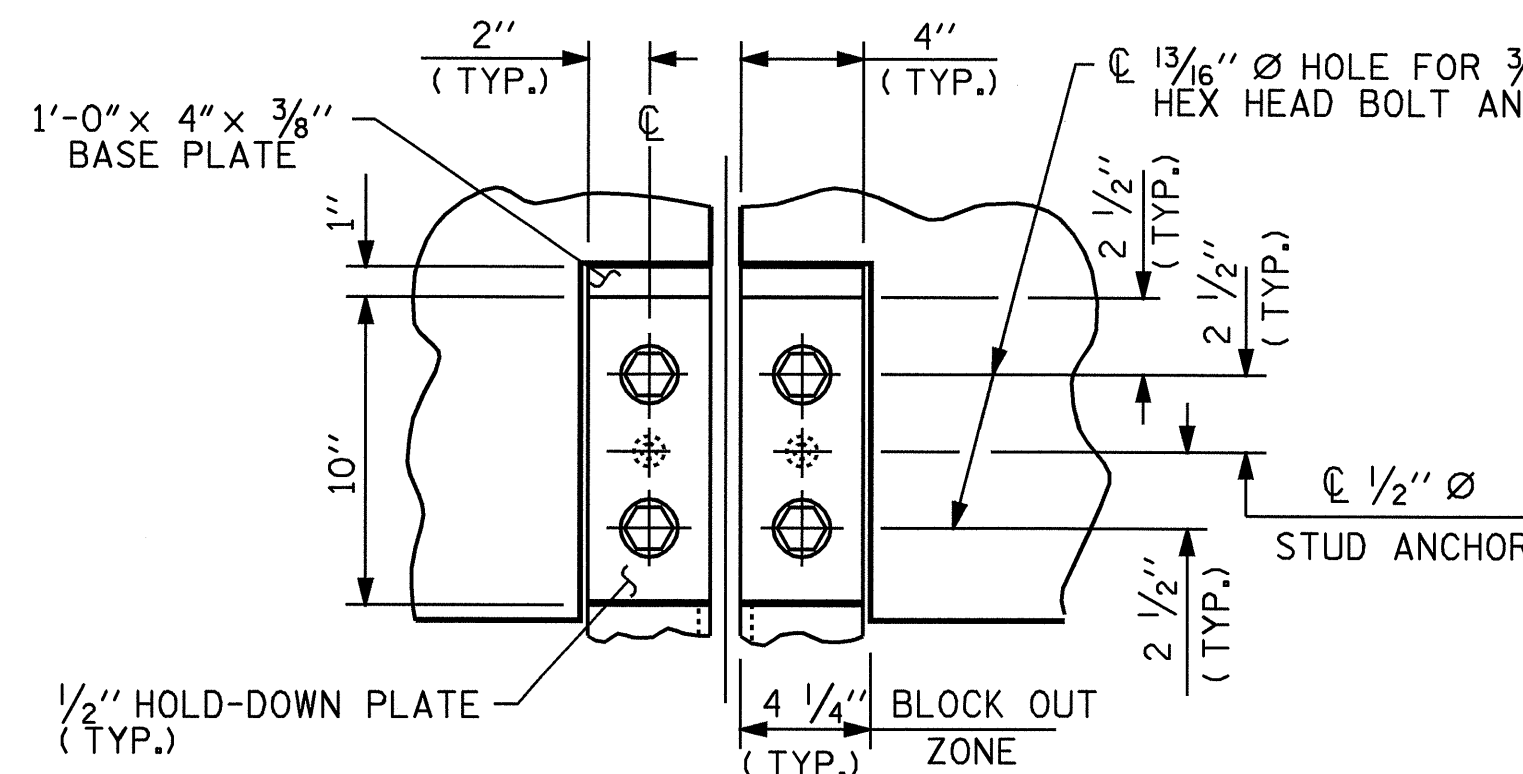


**END VIEW**

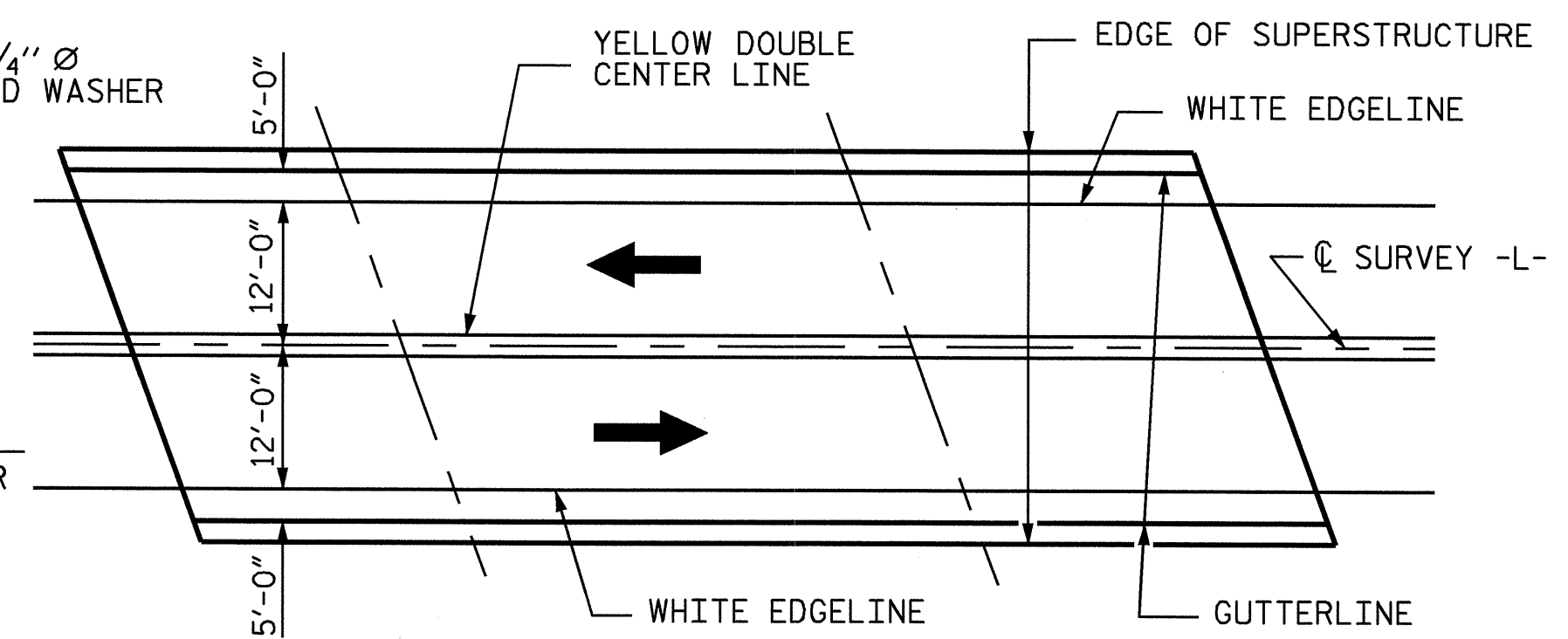


**TYPE II - ELEVATION VIEW**

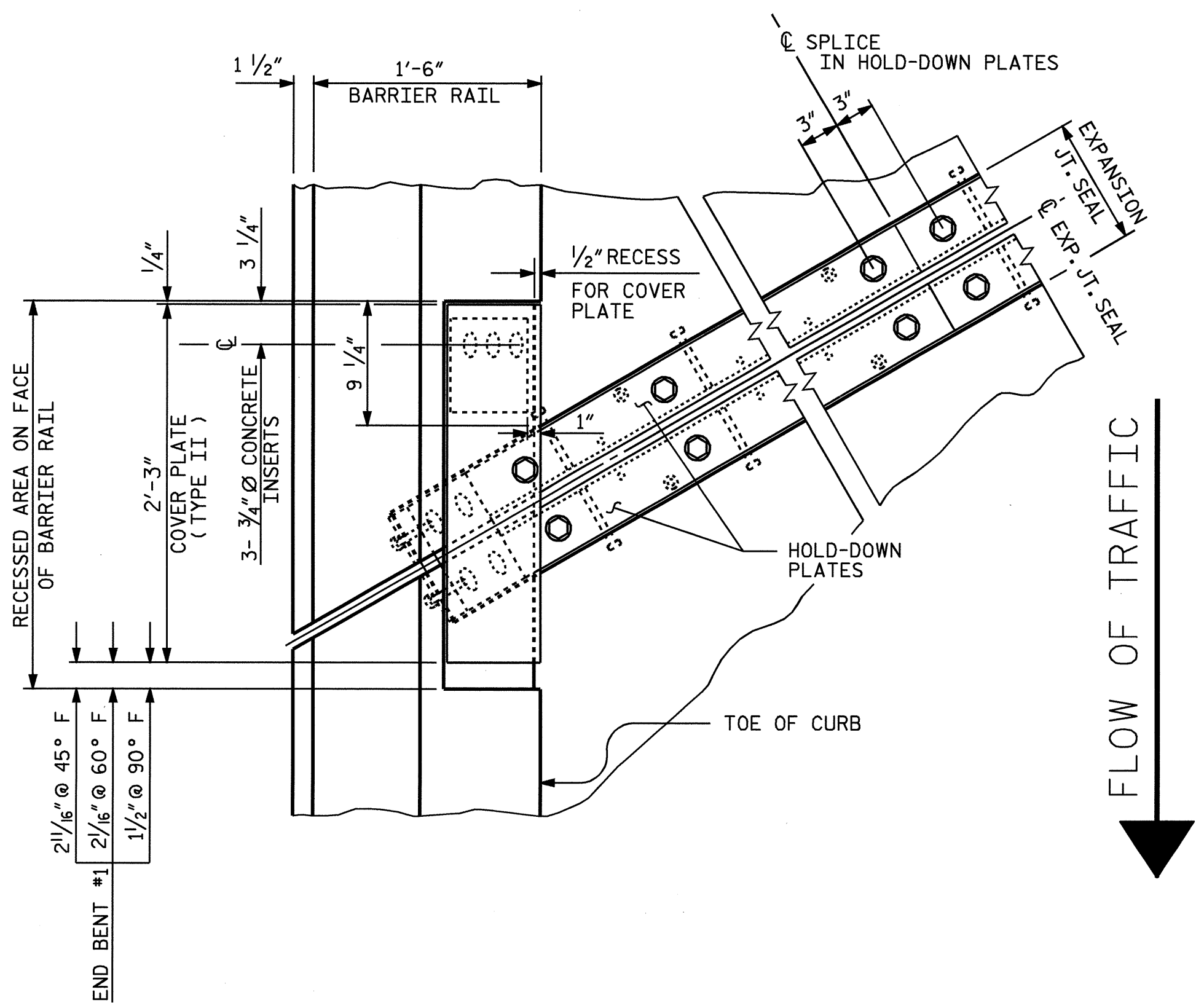
**COVER PLATE DETAILS**



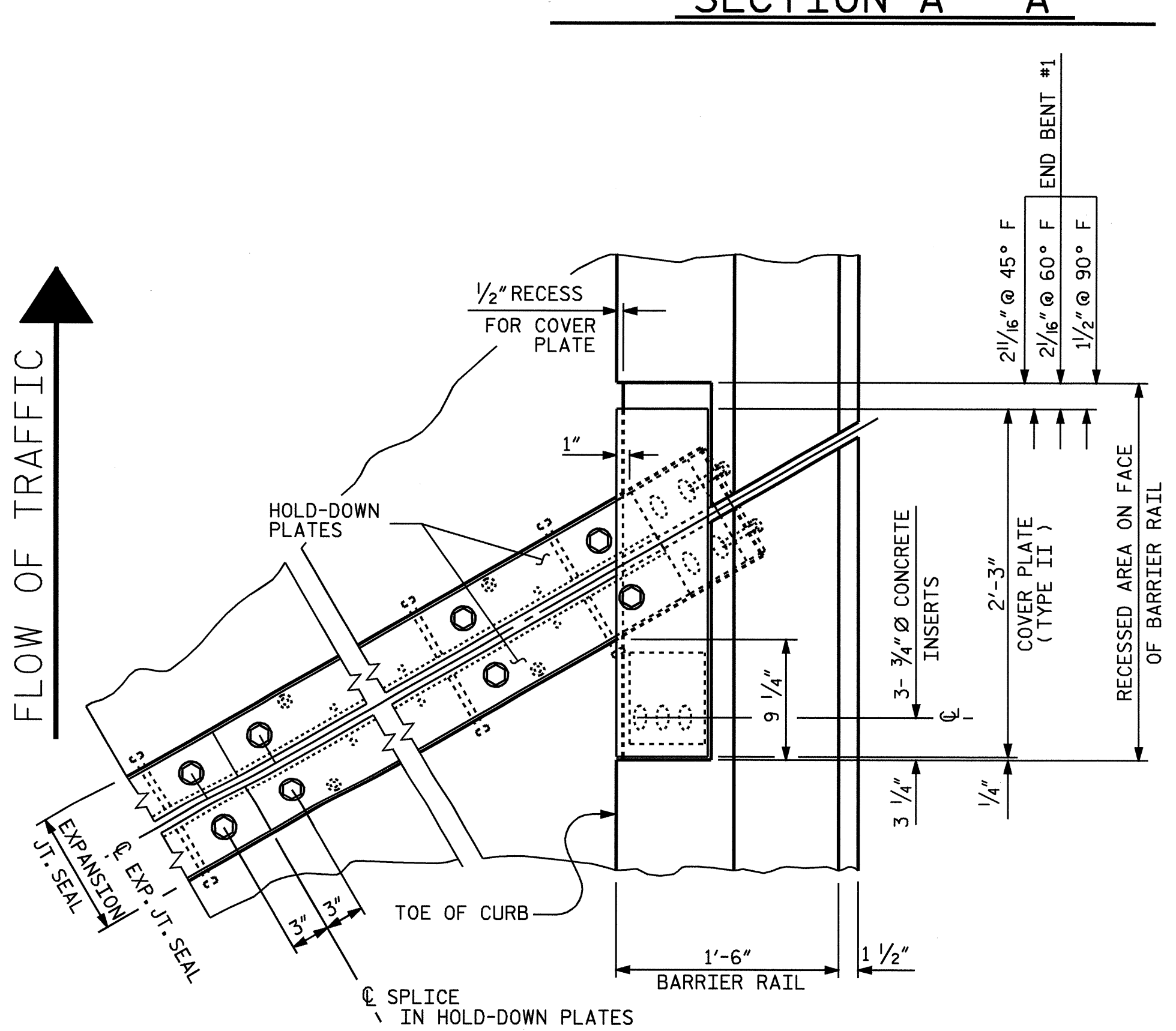
**SECTION A - A**



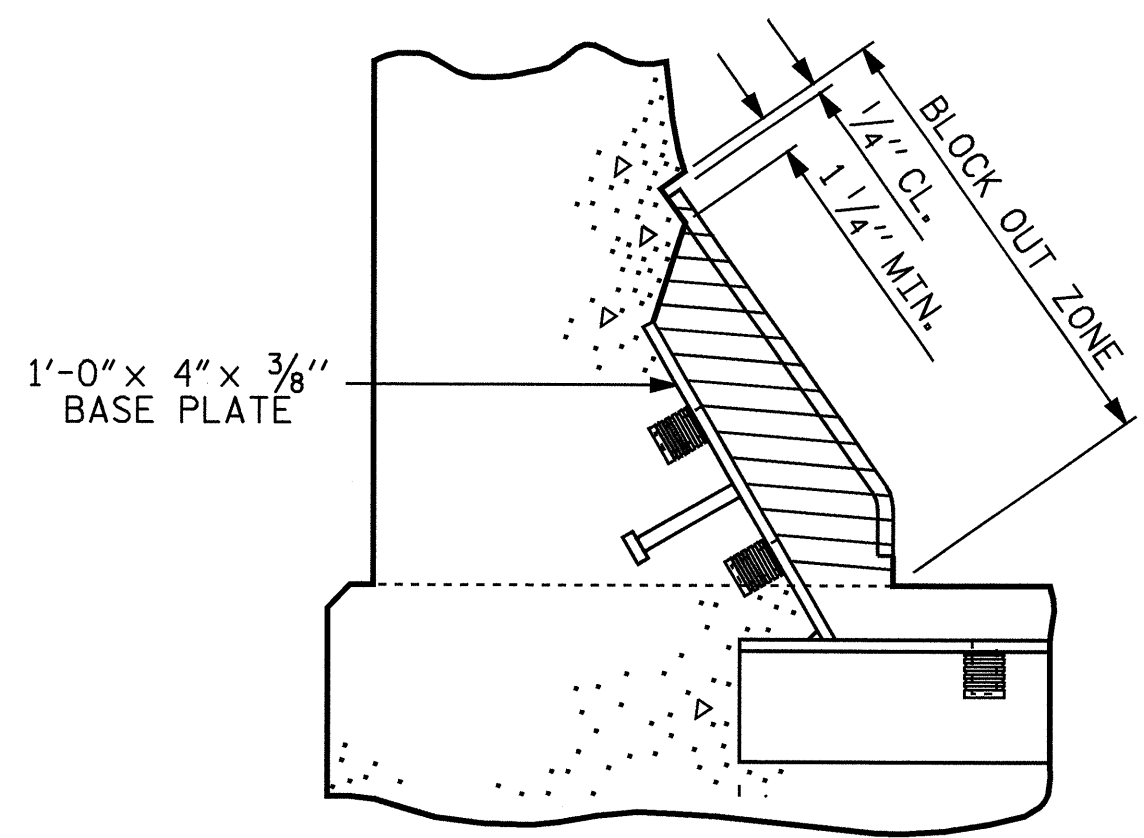
**PAVEMENT MARKING ALIGNMENT**



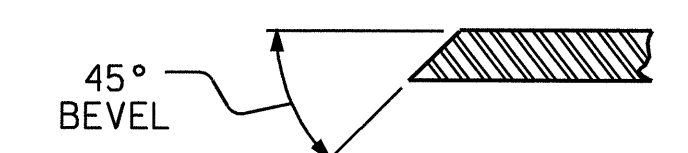
**PLAN OF EXPANSION JOINT SEAL - LEFT SIDE**



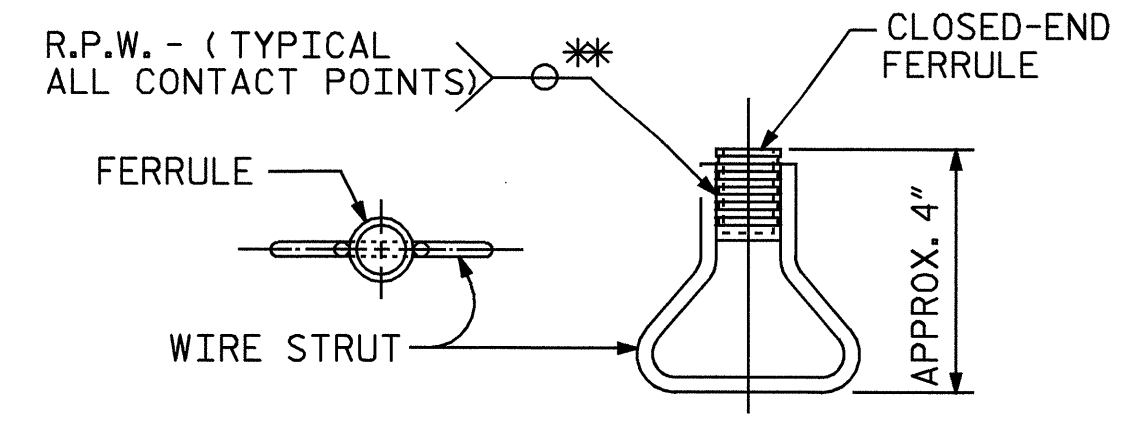
**PLAN OF EXPANSION JOINT SEAL - RIGHT SIDE**



**BLOCK OUT DETAIL**



**SECTION B - B**



**CONCRETE INSERT**

\* EACH WELDED ATTACHMENT OF WIRE TO FERRULE SHALL DEVELOP THE TENSILE STRENGTH OF THE WIRE.



PROJECT NO. B-4010  
 ASHE COUNTY  
 STATION: 20+93.60-L-

SHEET 2 OF 2

STATE OF NORTH CAROLINA  
 DEPARTMENT OF TRANSPORTATION  
 RALEIGH  
**STANDARD EXPANSION JOINT SEAL DETAILS FOR BARRIER RAIL**

ASSEMBLED BY : L.L. MURPHY	DATE : 04-04
CHECKED BY : D. HODGE	DATE : 05-04
DRAWN BY : REK 9/87	REV. 6/16/95 EEM/RW
CHECKED BY : CRK 10/87	REV. 7/17/98 RWW/LES
	REV. 10/17/00 RWW/LES

REVISIONS						SHEET NO.
NO.	BY:	DATE:	NO.	BY:	DATE:	TOTAL SHEETS
1			3			5-18
2			4			37