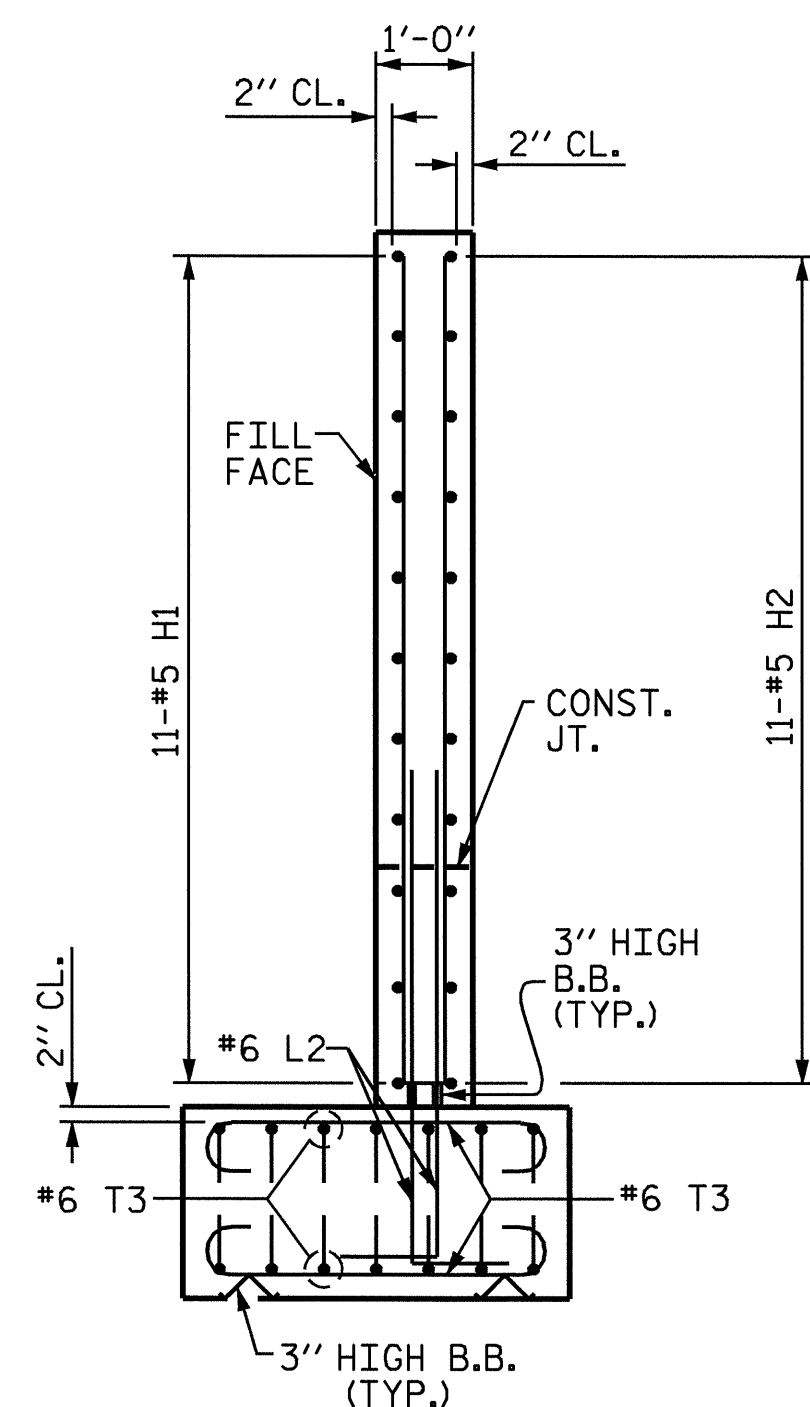
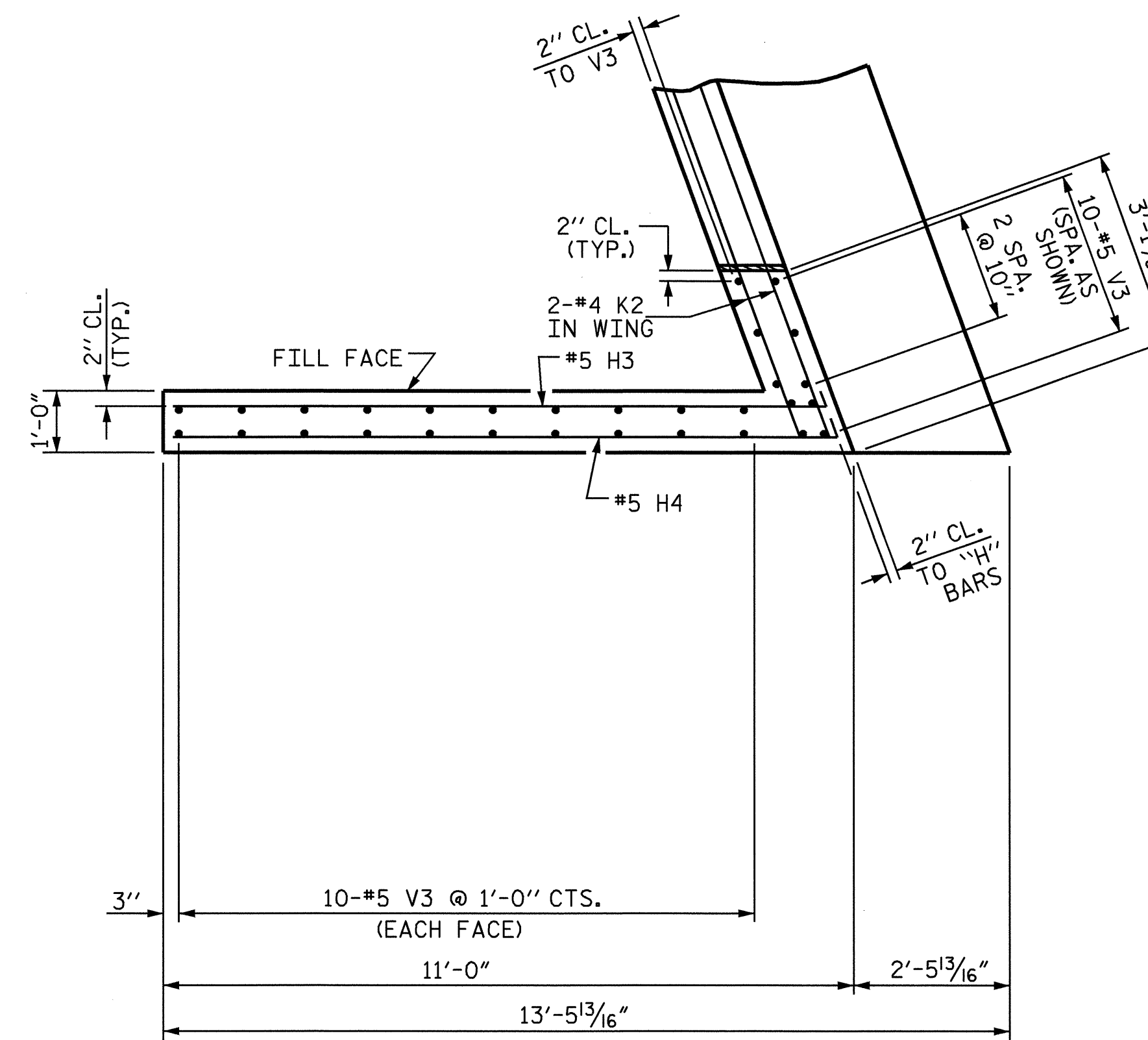


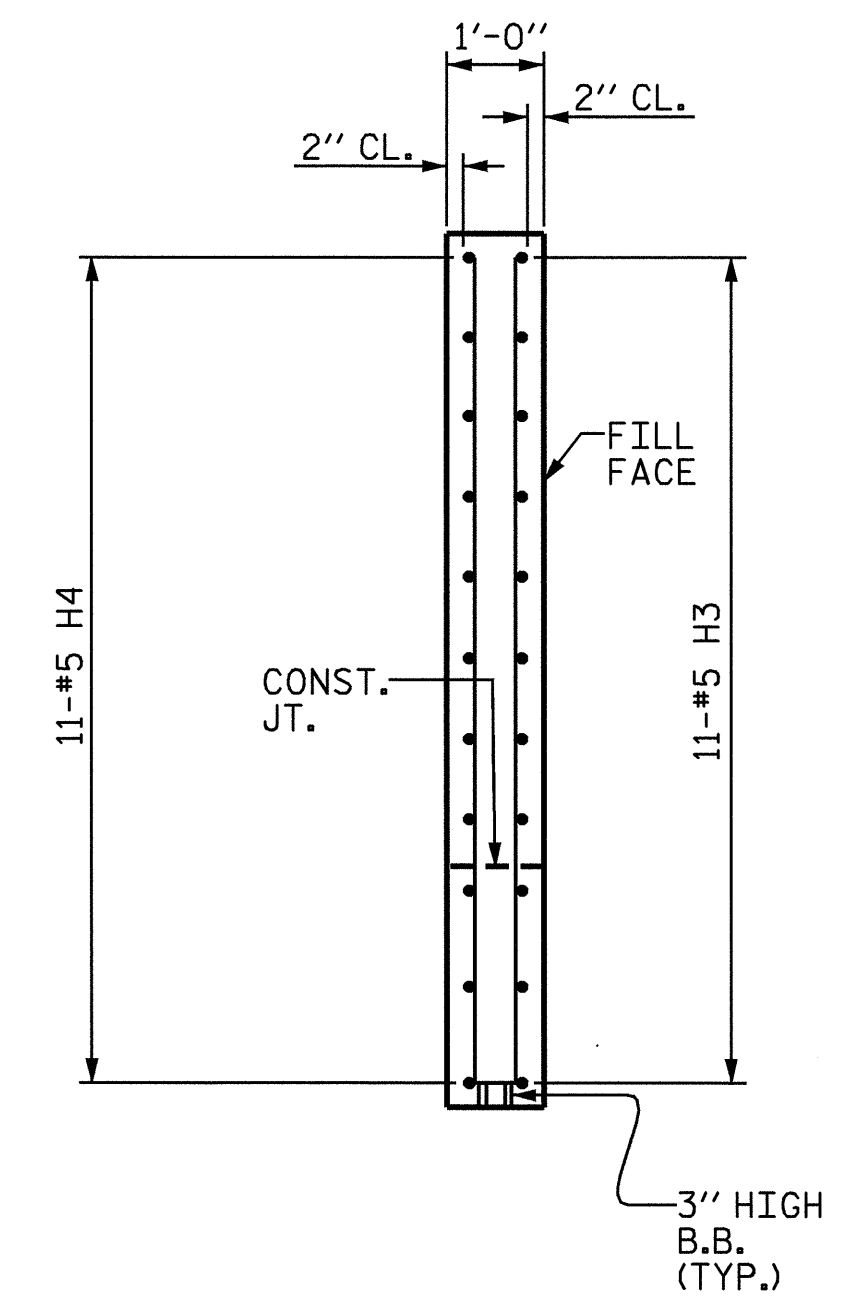
PLAN OF LEFT WING W1



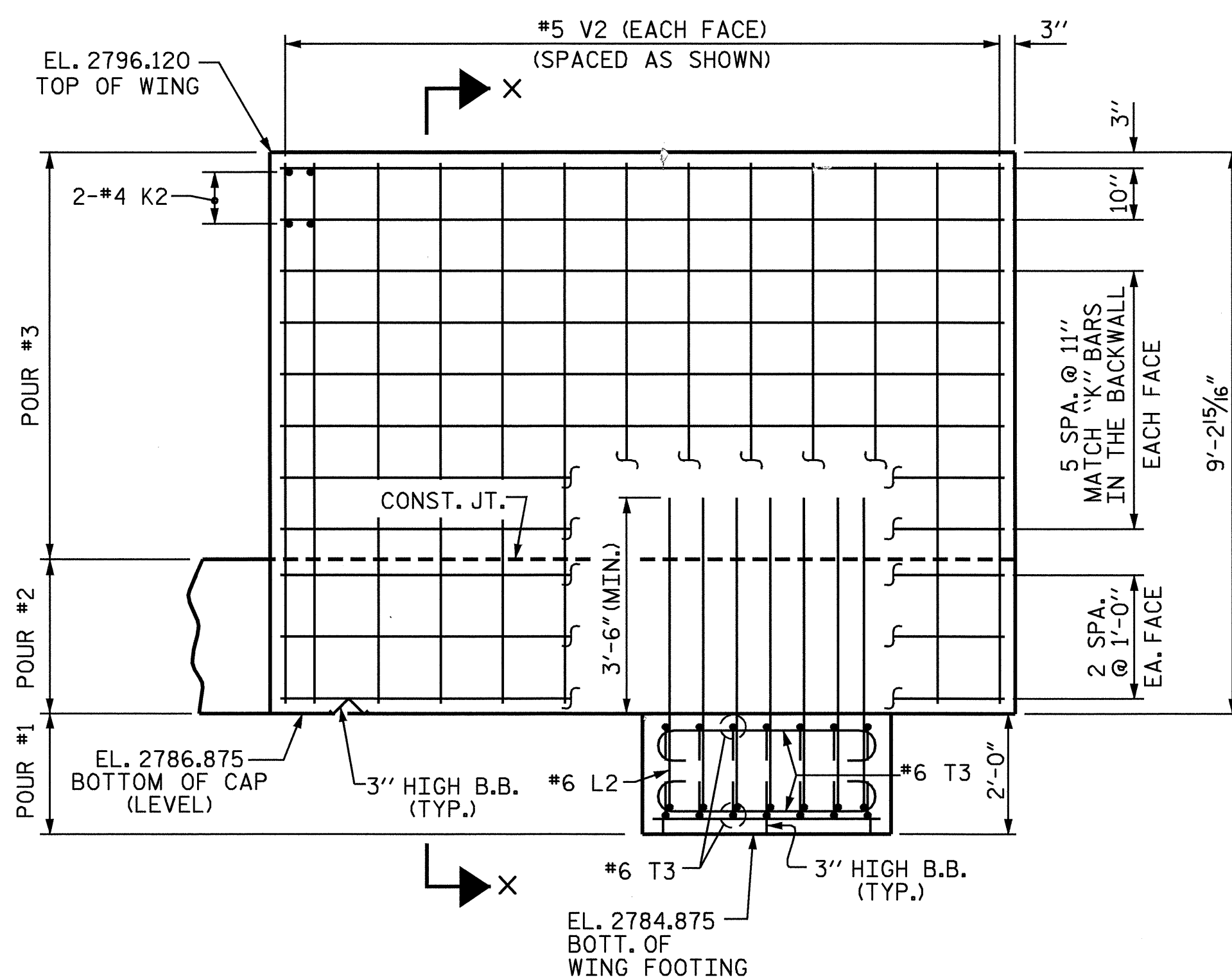
SECTION X-X



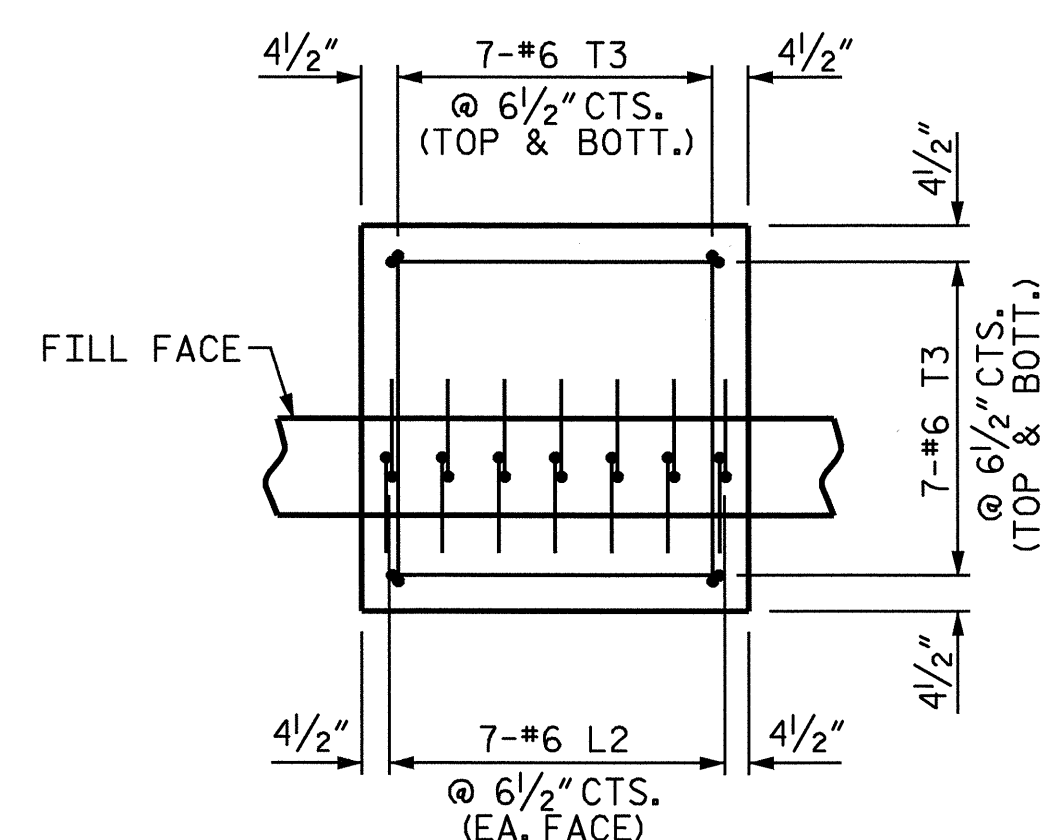
PLAN OF RIGHT WING W2



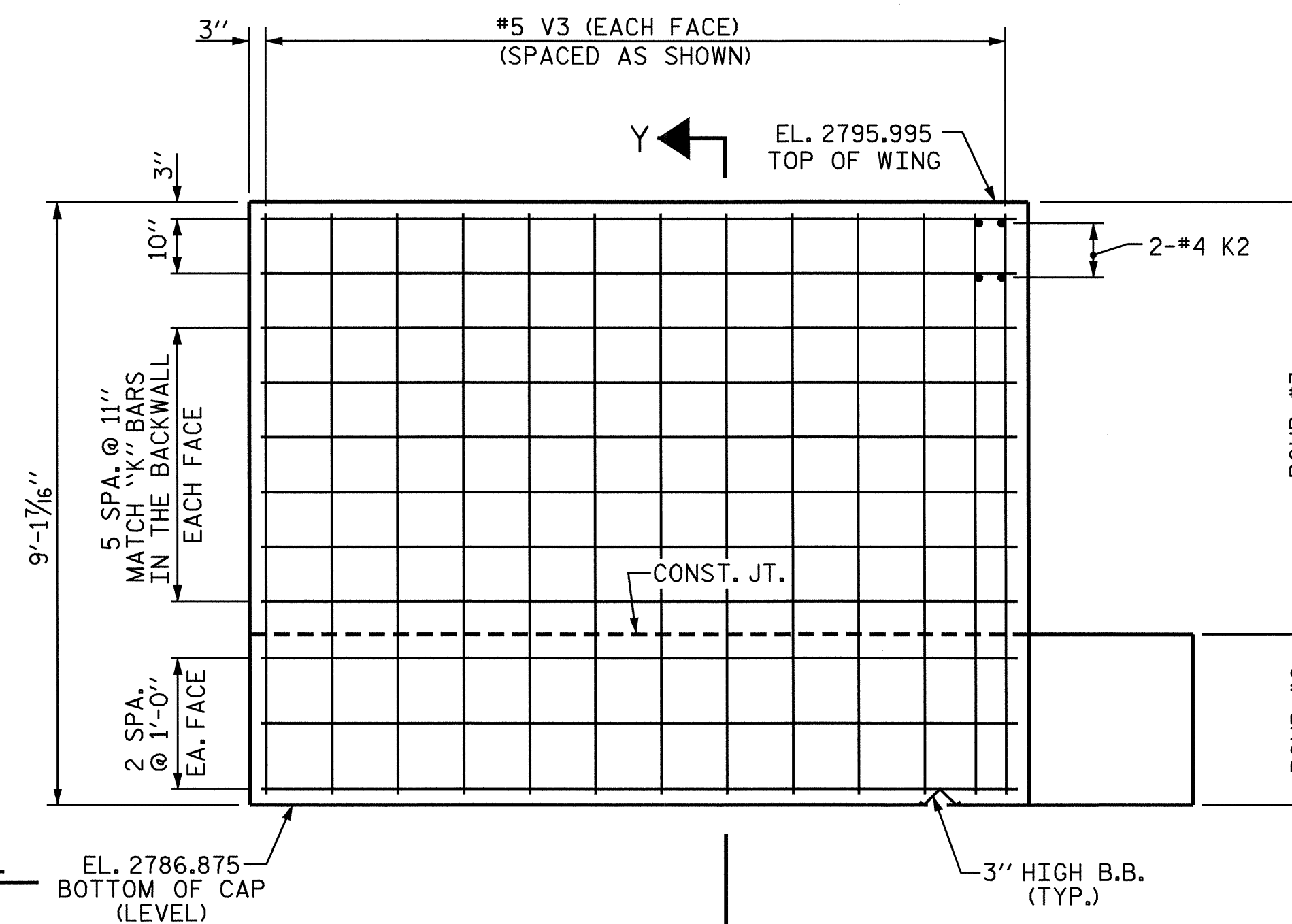
SECTION Y-Y



ELEVATION OF LEFT WING W1



PLAN OF WING FOOTING W1
(*5 "H" & #5 V2 BARS NOT SHOWN FOR CLARITY)



ELEVATION OF RIGHT WING W2

PROJECT NO. B-4010
ASHE COUNTY
STATION: 20+93.60 -L-

SHEET 2 OF 3

STATE OF NORTH CAROLINA
DEPARTMENT OF TRANSPORTATION
RALEIGH

SUBSTRUCTURE
END BENT #1

DRAWN BY: Q. NGUYEN/DAH DATE: 6/04
CHECKED BY: M.G. CHEEK DATE: 7/04

29-JUL-2004 07:58
w:\sdquady\b4010\dhdodge\b401001eb.dgn
dahodge



REVISIONS						SHEET NO.	
NO.	BY:	DATE:	NO.	BY:	DATE:	S-24	
1			3			TOTAL SHEETS	
2			4			37	