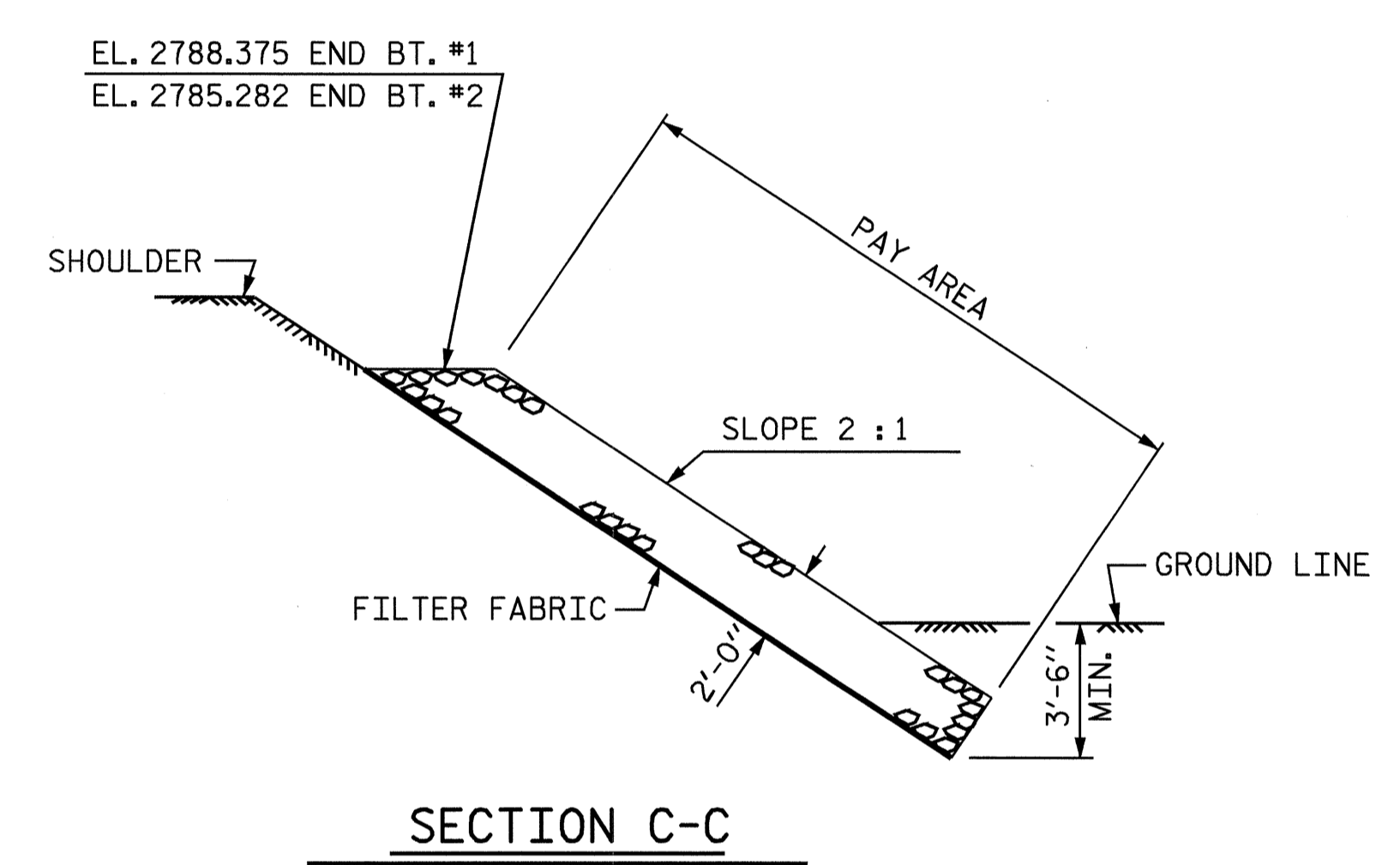
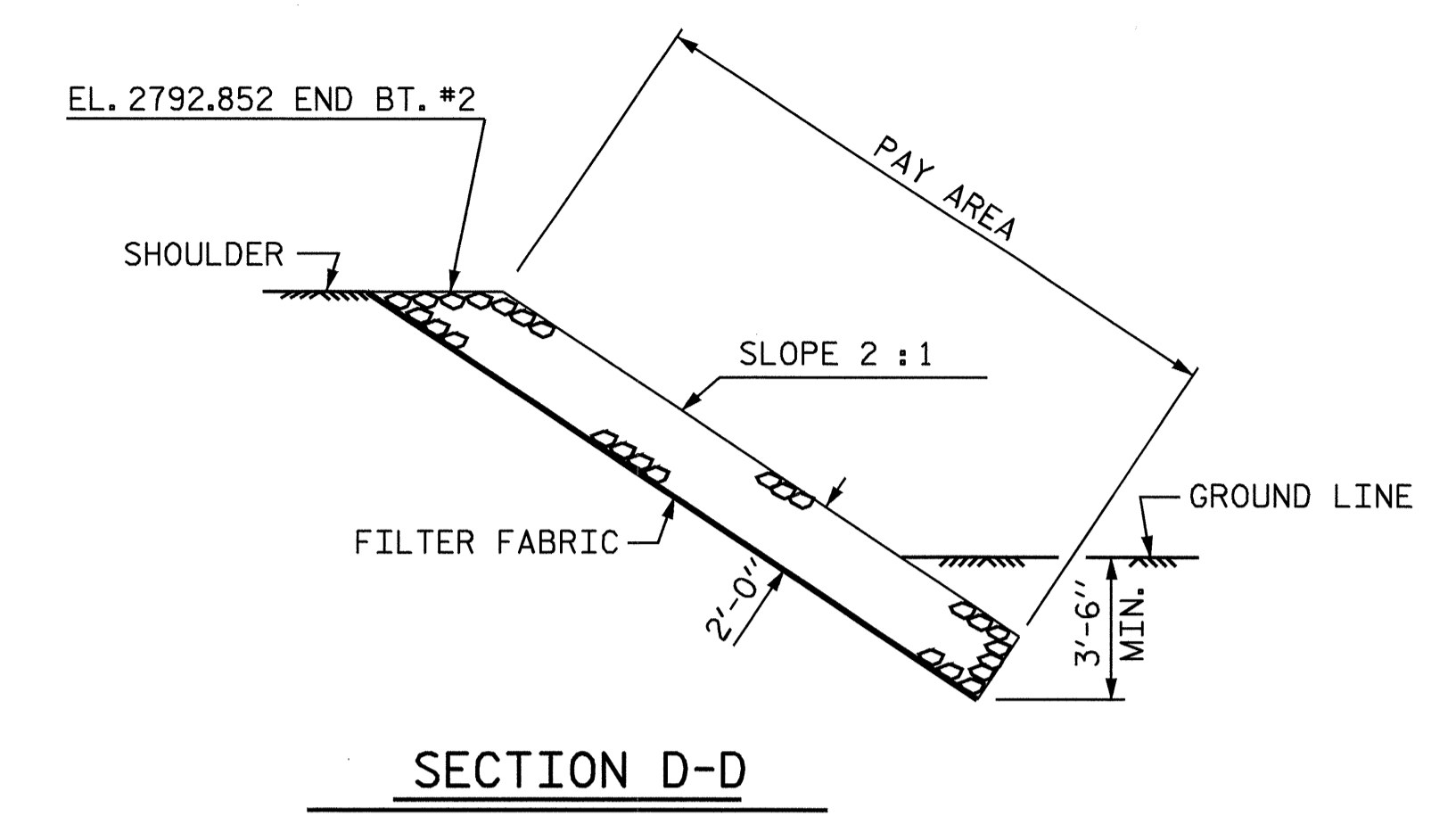
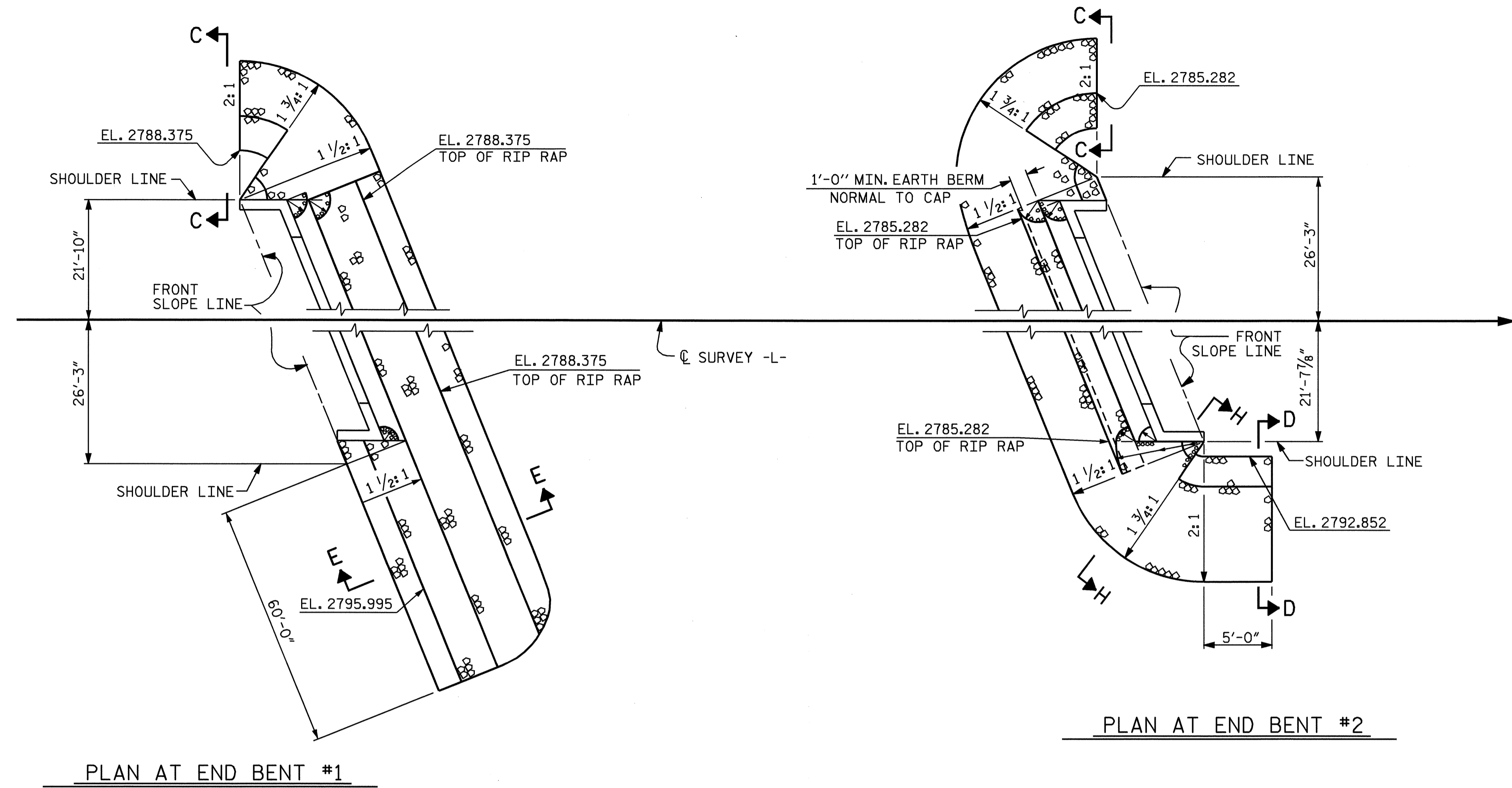
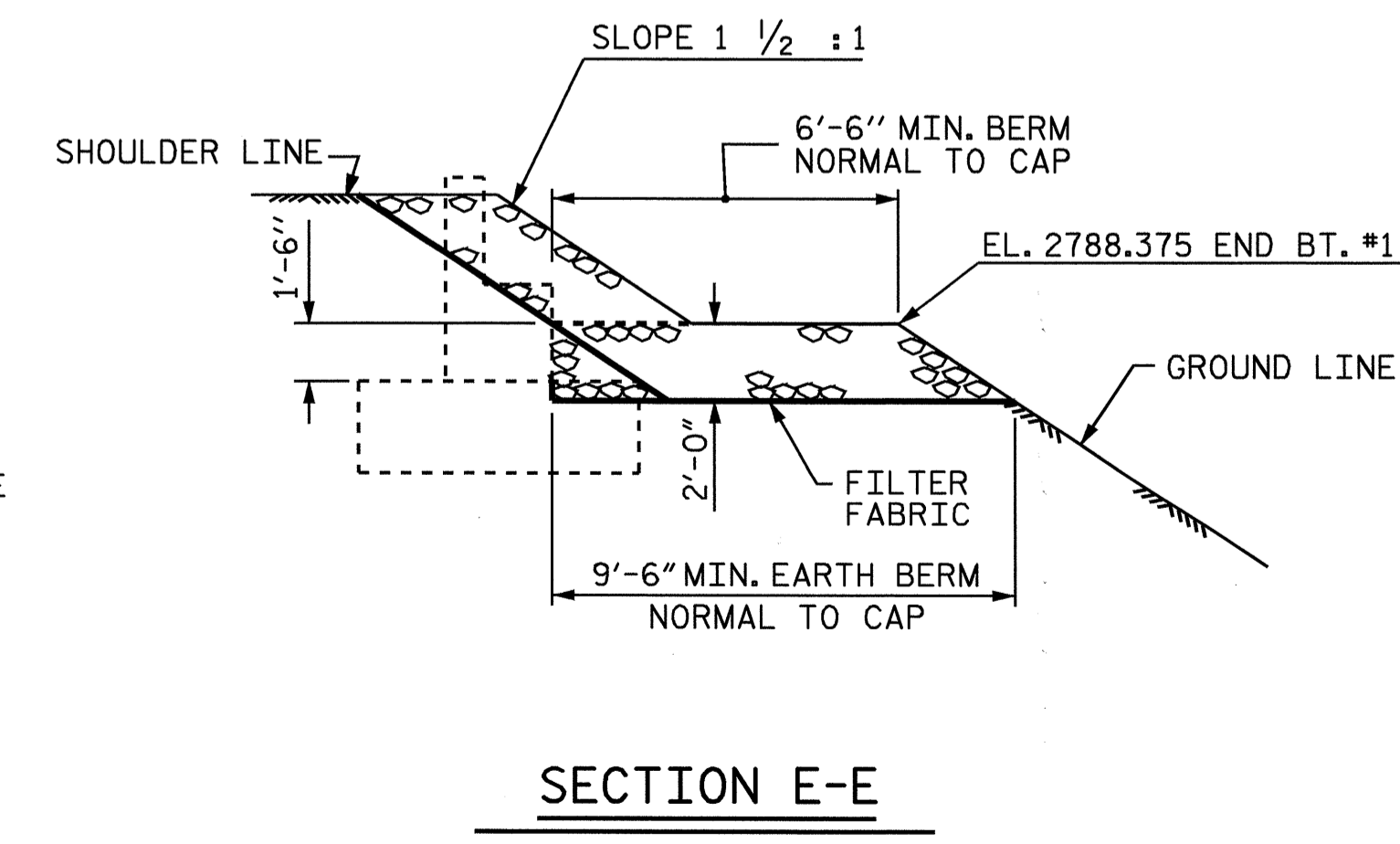
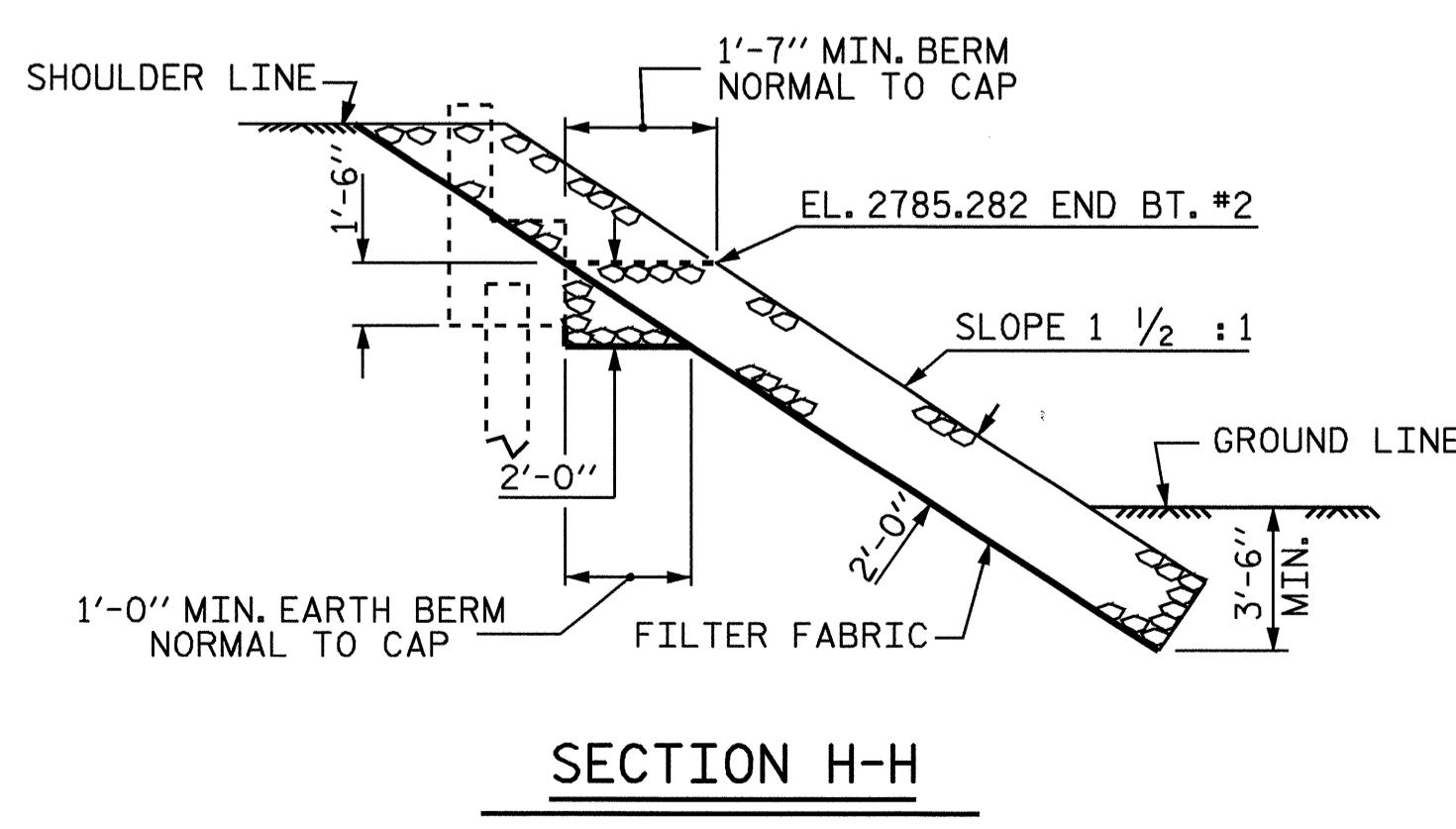
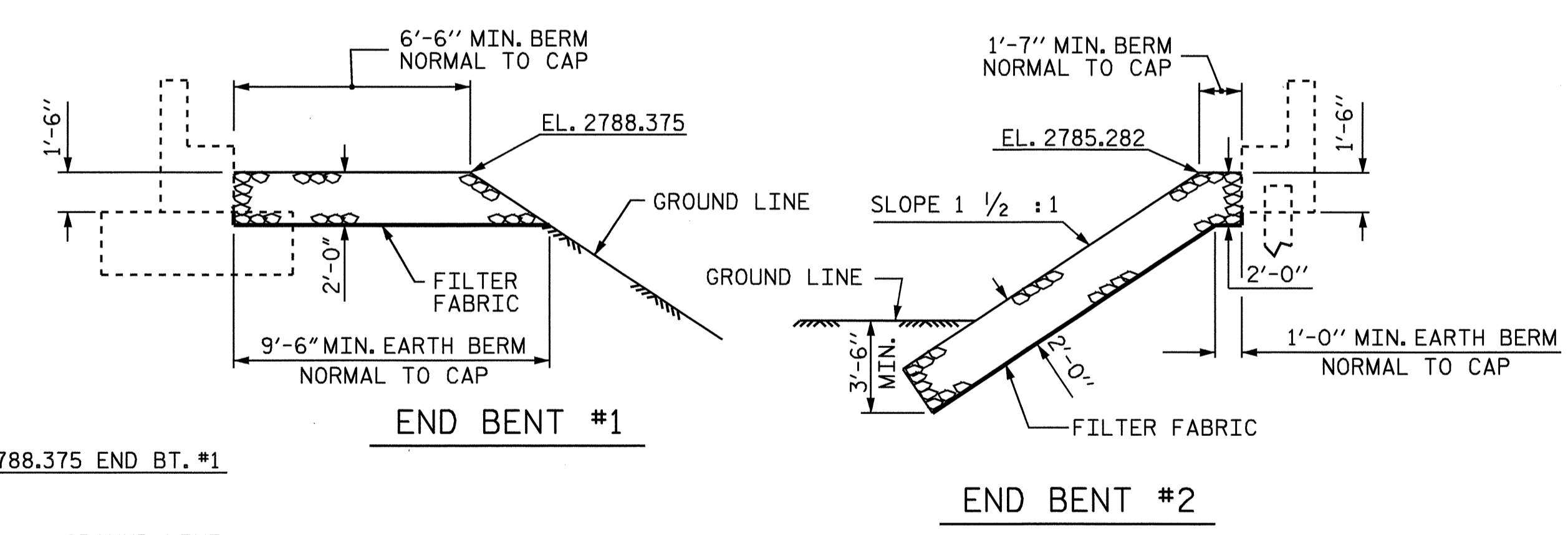


NOTES :
FOR BERM WIDTH DIMENSIONS, SEE GENERAL DRAWING.



ESTIMATED QUANTITIES		
BRIDGE @ STA. 20+93.60 -L-	PLAIN RIP RAP CLASS II	FILTER FABRIC FOR DRAINAGE
	TONS	SQUARE YARDS
END BENT 1	360	400
END BENT 2	530	585



SECTION
BERM RIP RAPPED

PROJECT NO. B-4010
ASHE COUNTY
STATION: 20+93.60 -L-

STATE OF NORTH CAROLINA
DEPARTMENT OF TRANSPORTATION
RALEIGH
STANDARD
RIP RAP DETAILS

REVISIONS					
NO.	BY:	DATE:	NO.	BY:	DATE:
1			3		
2			4		

SHEET NO. S-33
TOTAL SHEETS 37

ASSEMBLED BY : D. HODGE DATE : 4/04
 CHECKED BY : J. HARRIS DATE : 6/04
 DRAWN BY : REK 1/84 REV. 7/17/98 REK/RWW
 CHECKED BY : RDU 1/84 REV. 8/16/99 RWW/LES
 REV. 10/17/00 RWW/LES

