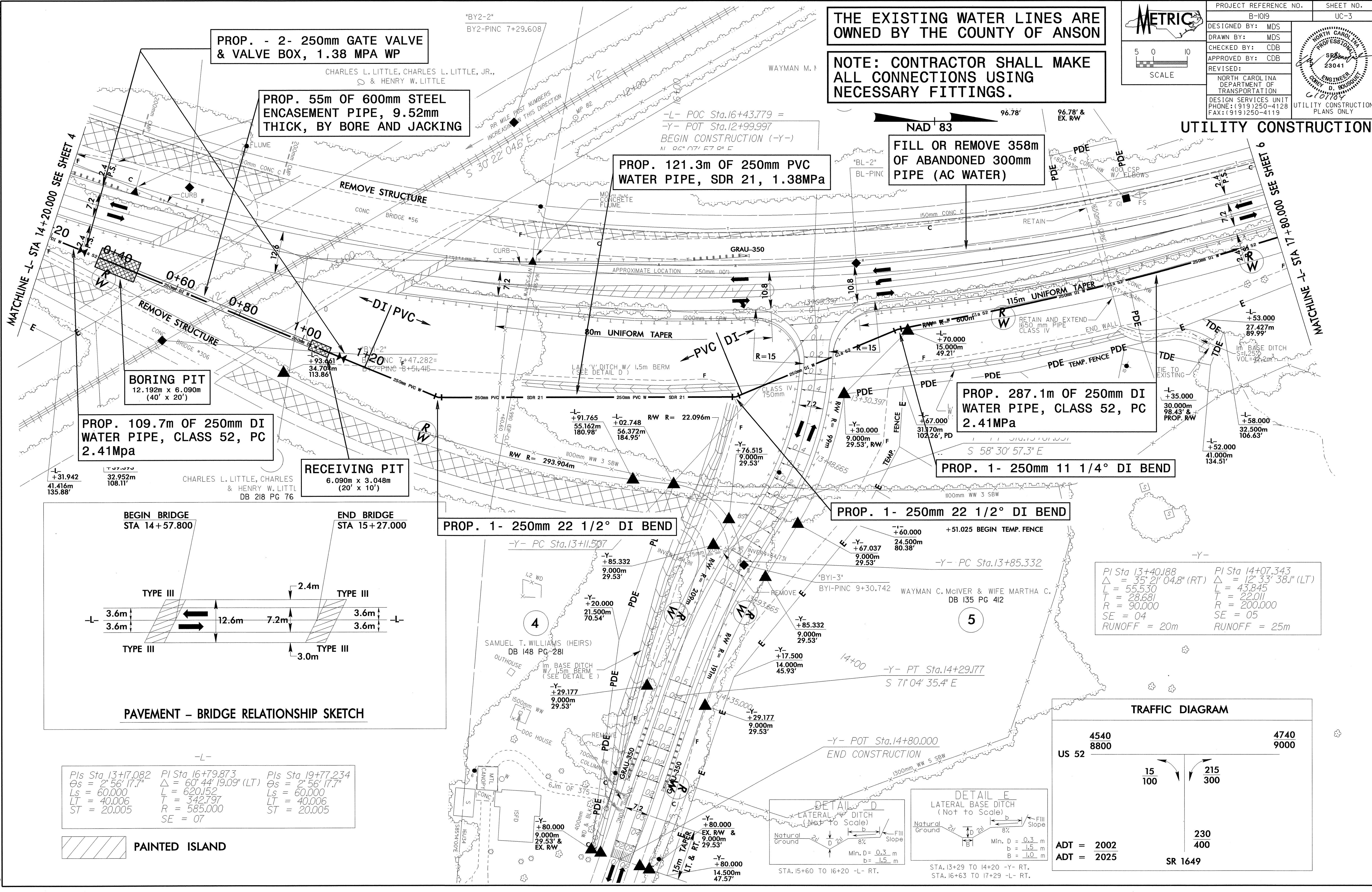


THE EXISTING WATER LINES ARE OWNED BY THE COUNTY OF ANSON

NOTE: CONTRACTOR SHALL MAKE ALL CONNECTIONS USING NECESSARY FITTINGS.

UTILITY CONSTRUCTION



BORING PIT
12.192m x 6.090m
(40' x 20')

RECEIVING PIT
6.090m x 3.048m
(20' x 10')

PROPOSED 109.7m OF 250mm DI WATER PIPE, CLASS 52, PC 2.41Mpa

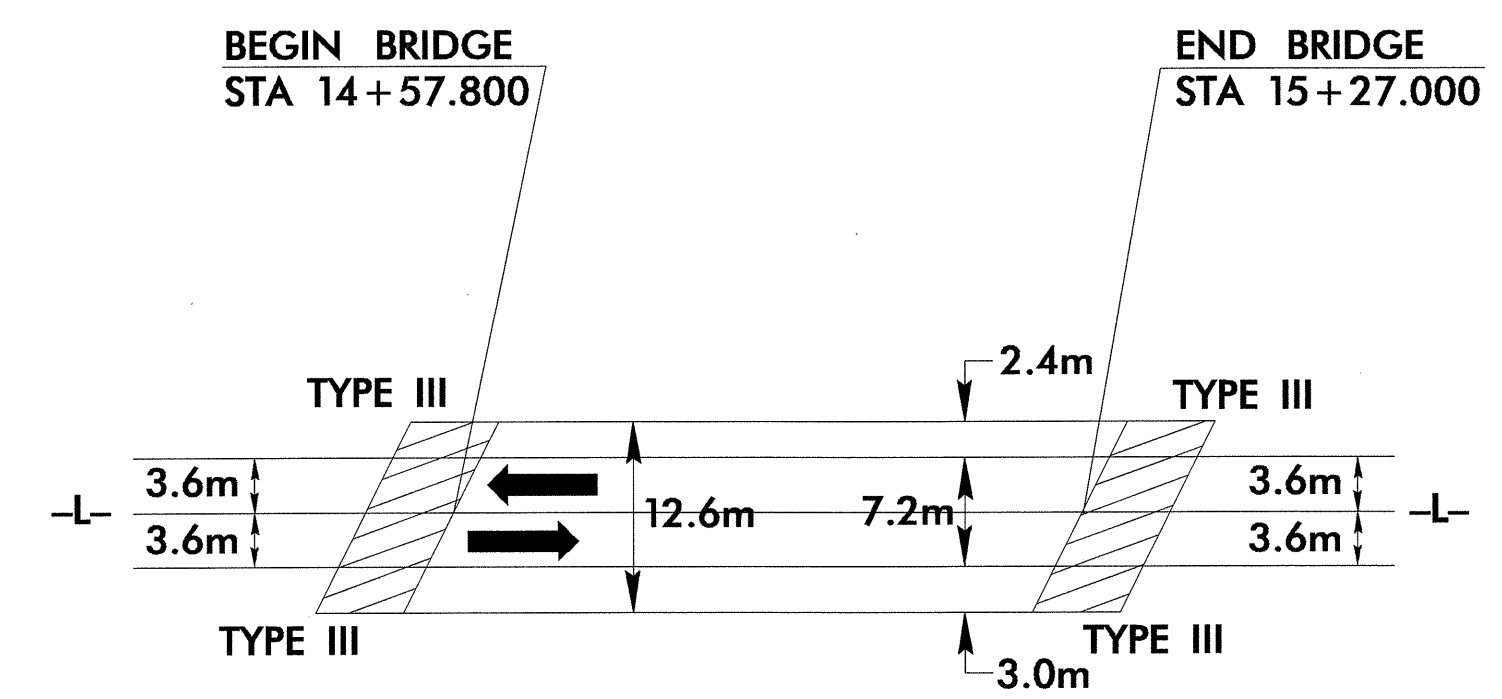
PROPOSED 121.3m OF 250mm PVC WATER PIPE, SDR 21, 1.38MPa

FILL OR REMOVE 358m OF ABANDONED 300mm PIPE (AC WATER)

PROPOSED 287.1m OF 250mm DI WATER PIPE, CLASS 52, PC 2.41Mpa

PROPOSED 1- 250mm 11 1/4° DI BEND

PROPOSED 1- 250mm 22 1/2° DI BEND

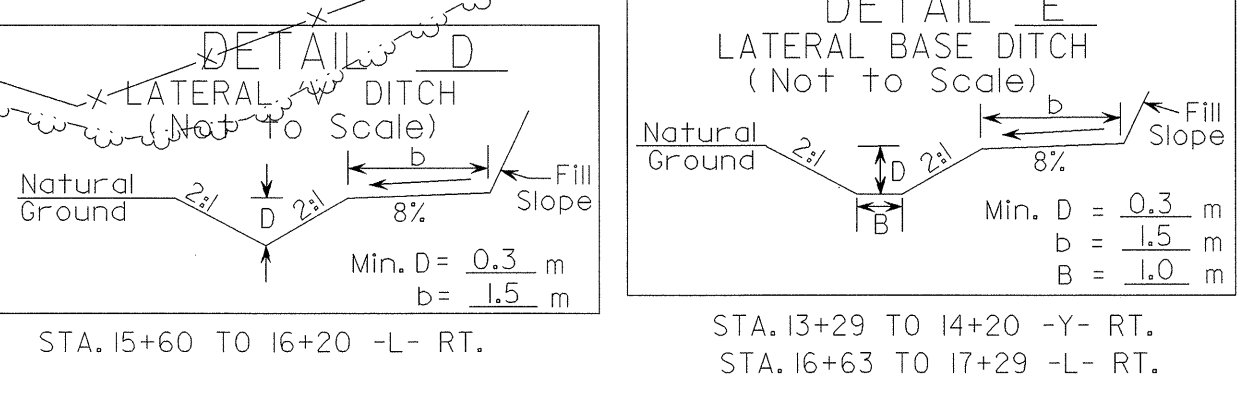


PI Sta 13+40.188 Δ = 35° 21' 04.8" (RT) L = 55.530 T = 28.681 R = 90.000 SE = 04 RUNOFF = 20m	PI Sta 14+07.343 Δ = 12° 33' 38.1" (LT) L = 43.845 T = 22.011 R = 200.000 SE = 05 RUNOFF = 25m
---	--

TRAFFIC DIAGRAM

4540 8800 US 52	4740 9000
15 100	215 300
ADT = 2002	230
ADT = 2025	400
	SR 1649

Pls Sta 13+17.082 Os = 2° 56' 17.7" Ls = 60.000 LT = 40.006 ST = 20.005	Pls Sta 16+79.873 Δ = 60° 44' 19.09" (LT) L = 620.152 T = 342.797 R = 585.000 SE = 07	Pls Sta 19+77.234 Os = 2° 56' 17.7" Ls = 60.000 LT = 40.006 ST = 20.005
---	--	---



27 MAY 2004 14:27
 E:\Users\michael_r\My Documents\Projects\B1019\ut_uc_03psh.dgn
 m:\projects\B1019\ut_uc_03psh.dgn
 27 MAY 2004 14:27
 E:\Users\michael_r\My Documents\Projects\B1019\ut_uc_03psh.dgn
 m:\projects\B1019\ut_uc_03psh.dgn