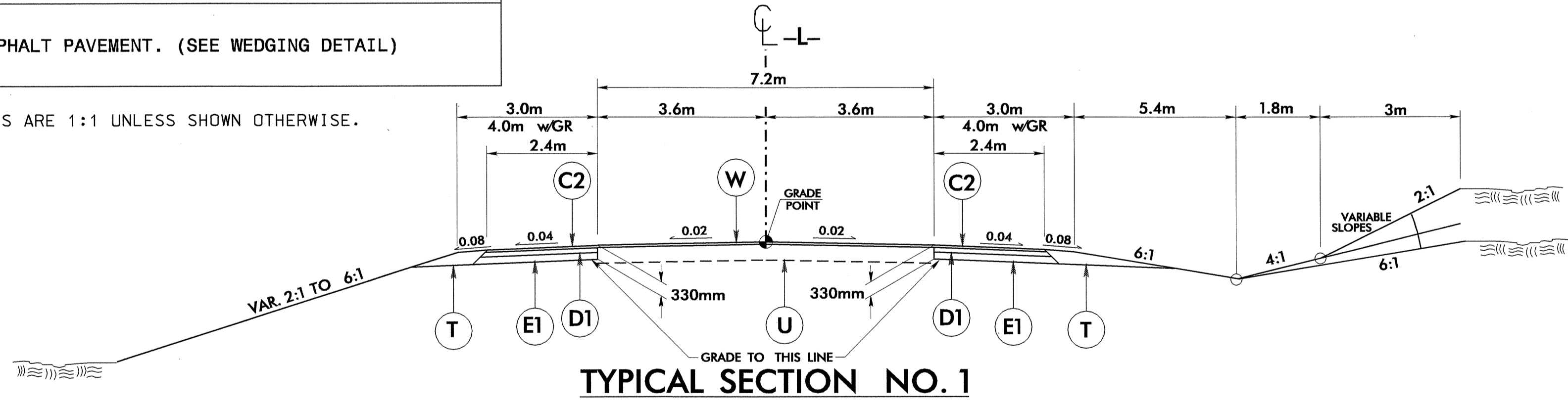
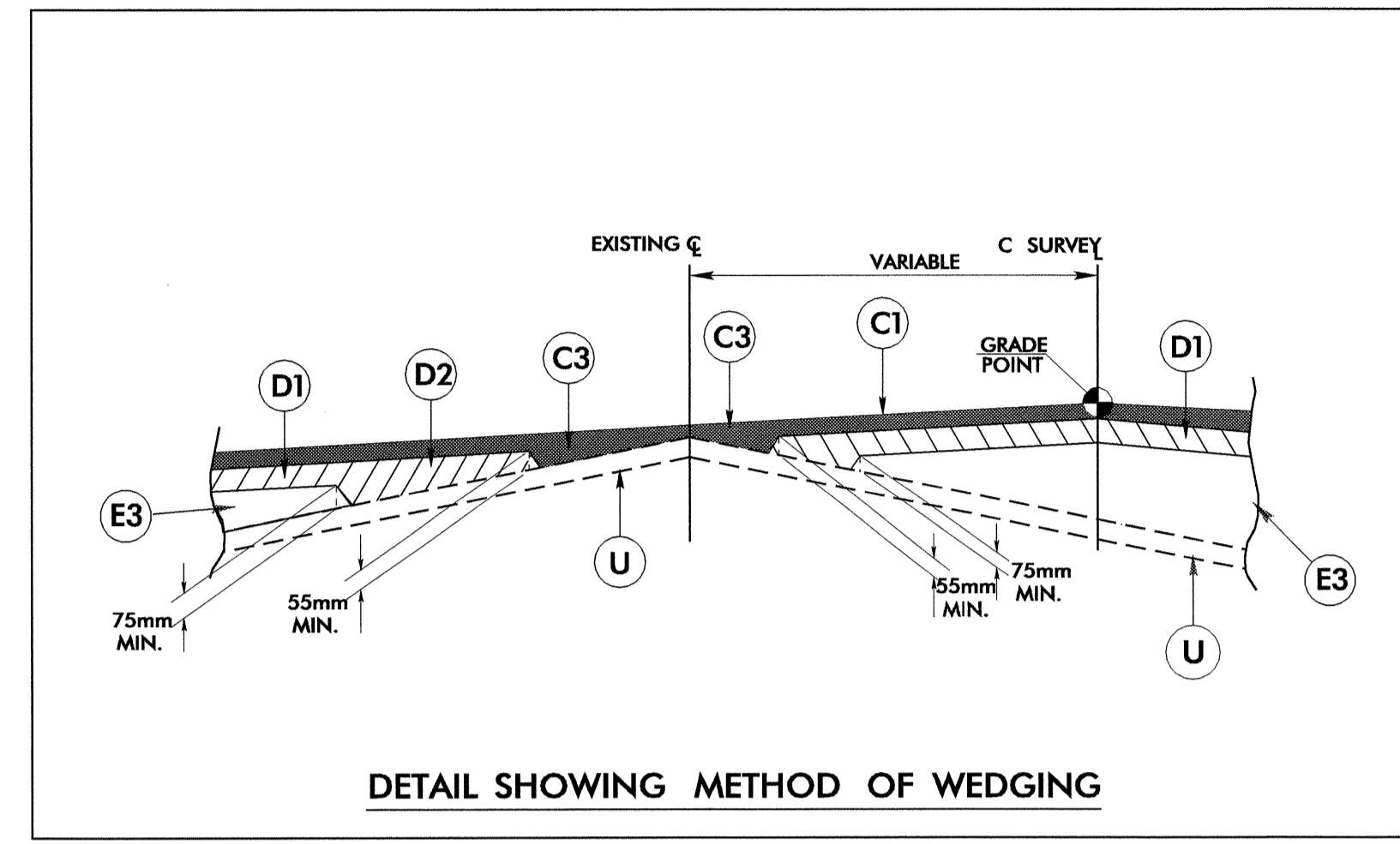


07/09/97

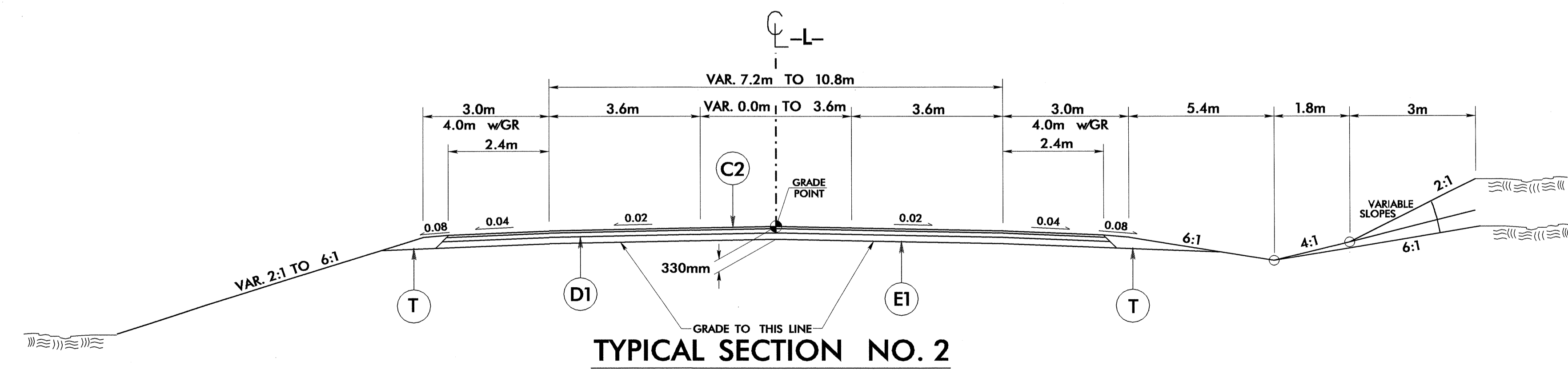
# PAVEMENT SCHEDULE

C1	PROP. APPROX. 40 mm ASPHALT CONC. SURFACE COURSE, TYPE S9.5B, AT AN AVERAGE RATE OF 96 kg PER SQ. METER.
C2	PROP. APPROX. 80 mm ASPHALT CONC. SURFACE COURSE, TYPE S9.5B, AT AN AVERAGE RATE OF 96 kg PER SQ. METER IN EACH OF TWO LAYERS.
C3	PROP. VAR. DEPTH ASPHALT CONC. SURFACE COURSE, TYPE S9.5B, AT AN AVERAGE RATE OF 2.4 kg PER SQ. METER PER 1 mm DEPTH, TO BE PLACED IN LAYERS NOT LESS THAN 30 mm IN DEPTH OR GREATER THAN 40 mm IN DEPTH.
D1	PROP. APPROX. 80 mm ASPHALT CONC. INTERMEDIATE COURSE, TYPE I19.0B AT AN AVERAGE RATE OF 196 kg PER SQ. METER.
D2	PROP. VAR. DEPTH ASPHALT CONC. INTERMEDIATE COURSE, TYPE I19.0B, AT AN AVERAGE RATE OF 2.45 kg PER SQ. METER PER 1 mm DEPTH, TO BE PLACED IN LAYERS NOT LESS THAN 55 mm OR GREATER THAN 110 mm IN DEPTH.
E1	PROP. APPROX. 170 mm ASPHALT CONC. BASE COURSE, TYPE B25.0B, AT AN AVERAGE RATE OF 208.25 kg PER SQ. METER IN EACH OF TWO LAYERS.
E2	PROP. APPROX. 100 mm ASPHALT CONC. BASE COURSE, TYPE B25.0B, AT AN AVERAGE RATE OF 245 kg PER SQ. METER.
E3	PROP. VAR. DEPTH ASPHALT CONC. BASE COURSE, TYPE B25.0B, AT AN AVERAGE RATE OF 2.45 kg PER SQ. METER PER 1 mm DEPTH TO BE PLACED IN LAYERS NOT LESS THAN 75 mm IN DEPTH OR GREATER THAN 140 mm IN DEPTH.
J	150mm Aggregate Base Course
T	EARTH MATERIAL.
U	EXISTING PAVEMENT.
W	VARIABLE DEPTH ASPHALT PAVEMENT. (SEE WEDGING DETAIL)

NOTE: PAVEMENT EDGE SLOPES ARE 1:1 UNLESS SHOWN OTHERWISE.



TYPICAL SECTION NO. 1



TYPICAL SECTION NO. 2

TRANSITION FROM EXISTING TO TYPICAL NO. 1  
 -L- 10+49.033 TO -L- 10+64.033

USE TYPICAL SECTION NO. 1  
 -L- STA 10+64.033 TO -L- STA 12+40.000  
 -L- STA 18+00.000 TO -L- STA 20+19.371

TRANSITION FROM TYPICAL NO. 1 TO EXISTING  
 -L- 20+19.371 TO -L- 20+34.371

USE TYPICAL SECTION NO. 2  
 -L- STA 12+40.000 TO -L- STA 14+57.800 (BEG. BRI.)  
 -L- STA 15+27.000 (END BRI.) TO -L- STA 18+00.000

PROJECT REFERENCE NO. B-1019	SHEET NO. 2
ROADWAY DESIGN ENGINEER SEAL 14493 7-22-04	PAVEMENT DESIGN ENGINEER SEAL 22886 7/21/04

20-JUL-2004 12:13 AT 15:01:19.tup  
 DK Eason