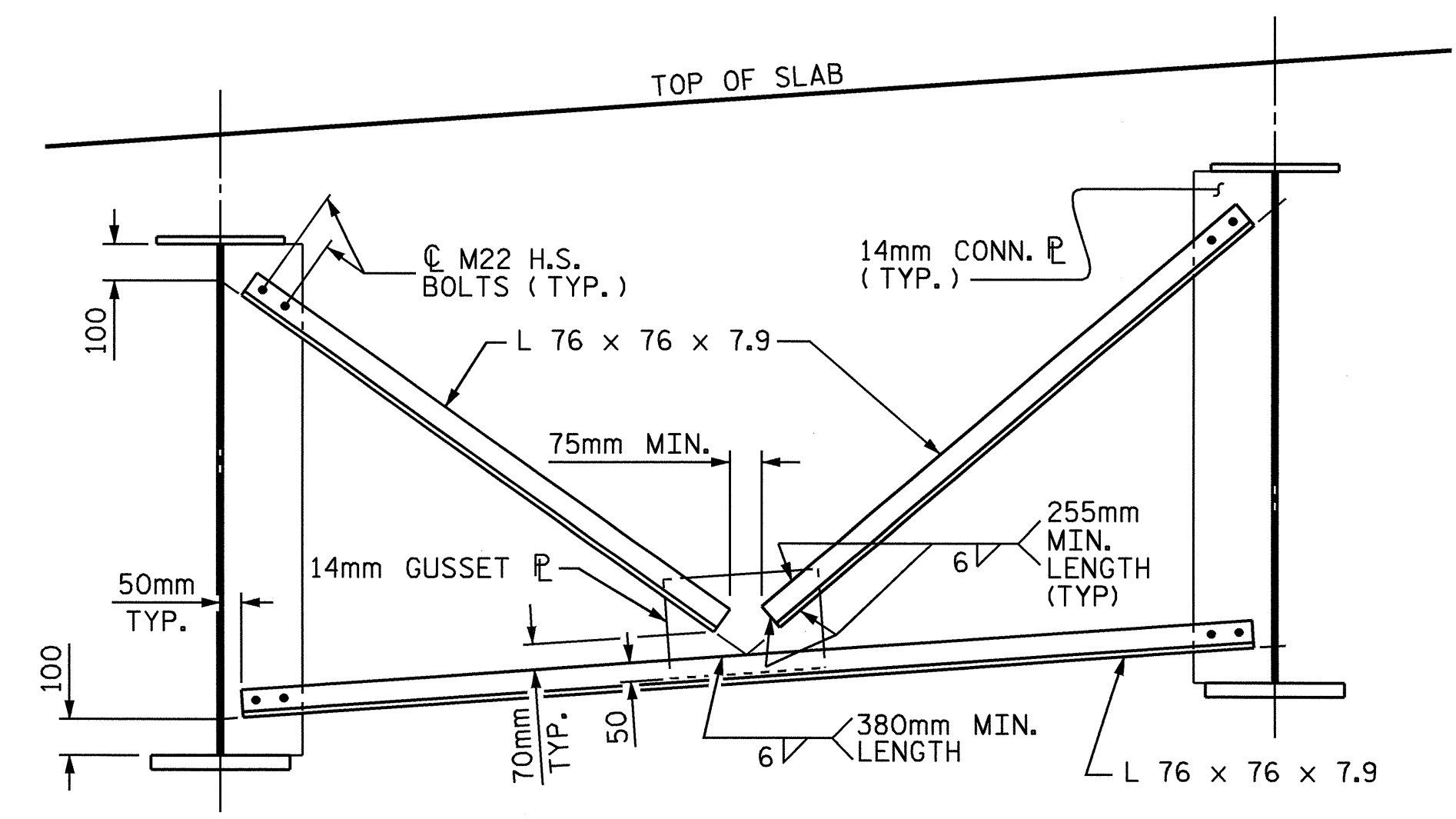
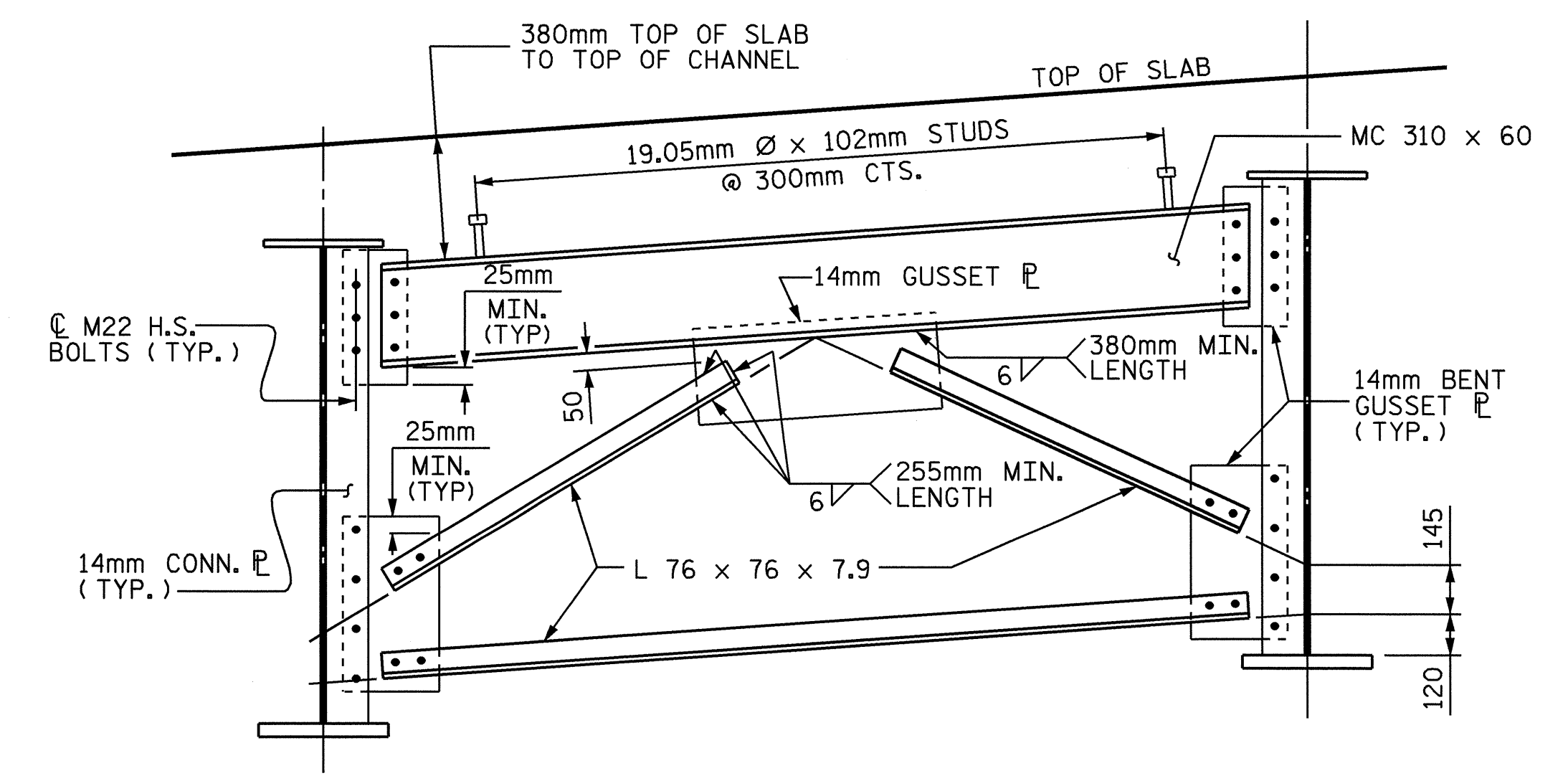


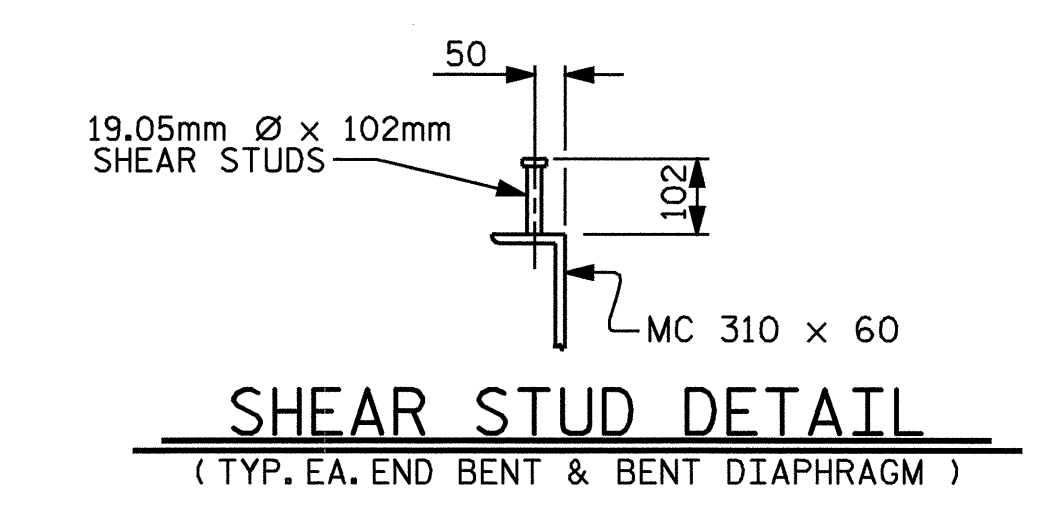
BOTTOM FLANGE DETAIL
FOR DIM."D" SEE GIRDER TABLE, SHEET 1 OF 2



INTERMEDIATE DIAPHRAGM



END BENT & BENT DIAPHRAGM



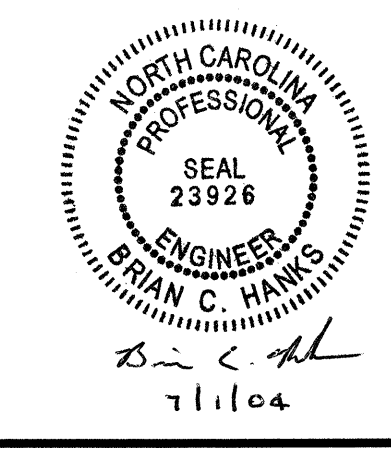
PROJECT NO. B-1019
ANSON COUNTY
STATION: 14+94.156 -L-

SHEET 2 OF 2

STATE OF NORTH CAROLINA
DEPARTMENT OF TRANSPORTATION
RALEIGH

SUPERSTRUCTURE
STRUCTURAL STEEL
DETAILS

| REVISIONS | | | | | | SHEET NO. S-15 TOTAL SHEETS 35 |
|-----------|-----|-------|-----|-----|-------|---|
| NO. | BY: | DATE: | NO. | BY: | DATE: | |
| 1 | | | 3 | | | |
| 2 | | | 4 | | | |



DRAWN BY: MIKE BRITT/KWA DATE: 10-22-02
CHECKED BY: W.C. CARTER DATE: 11-03