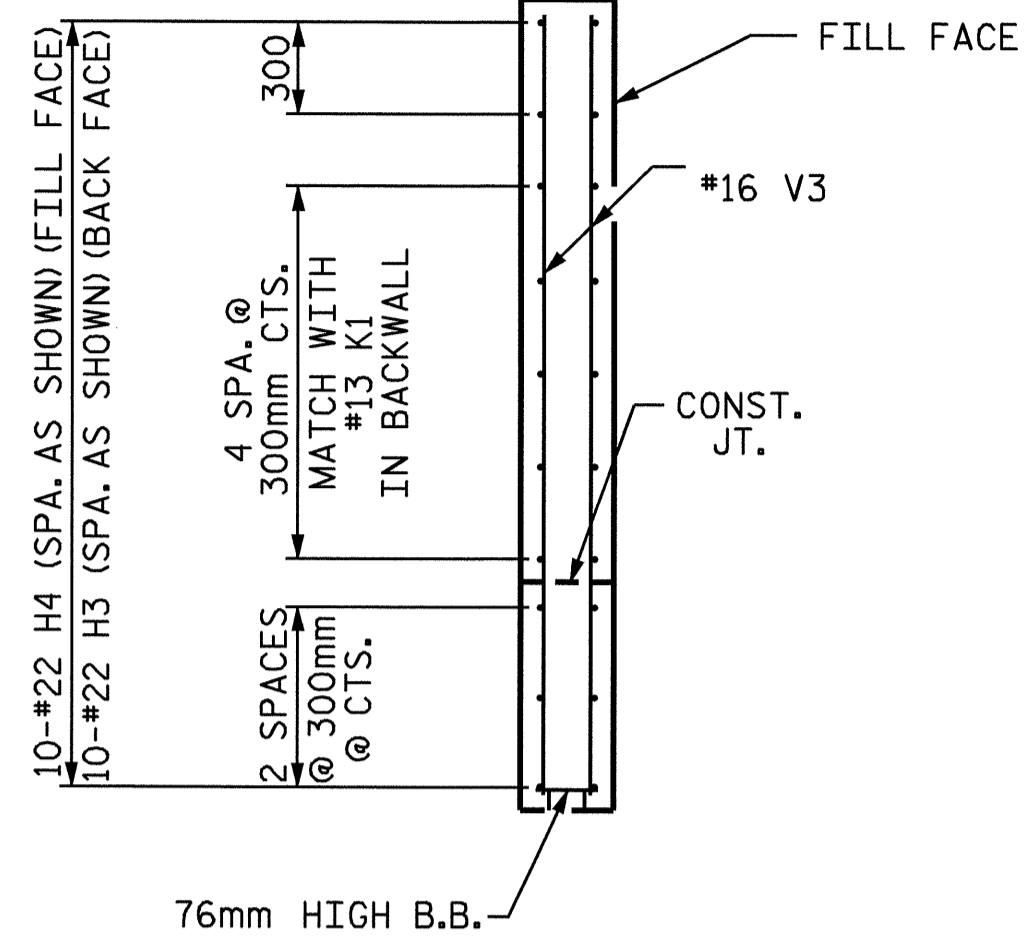
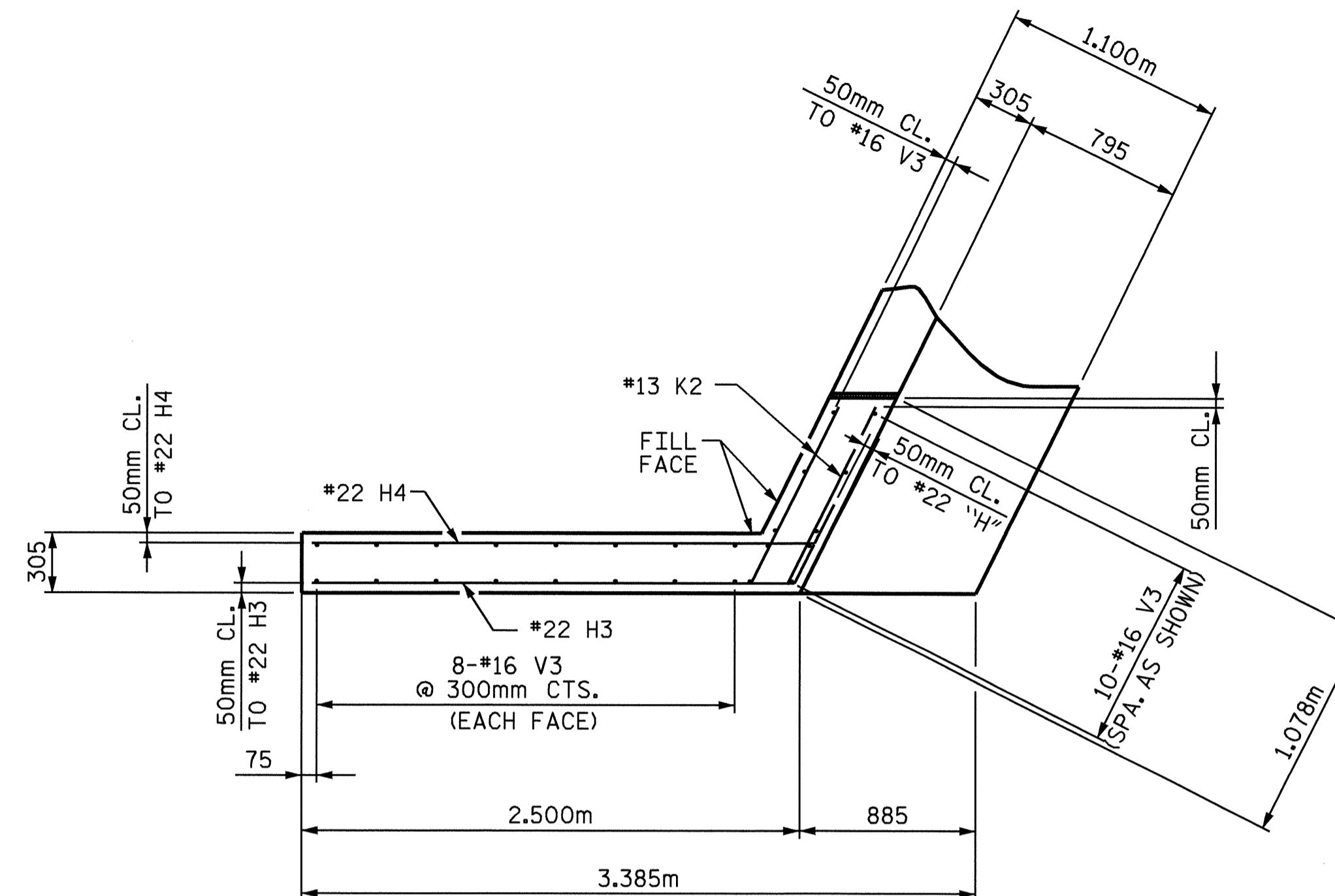


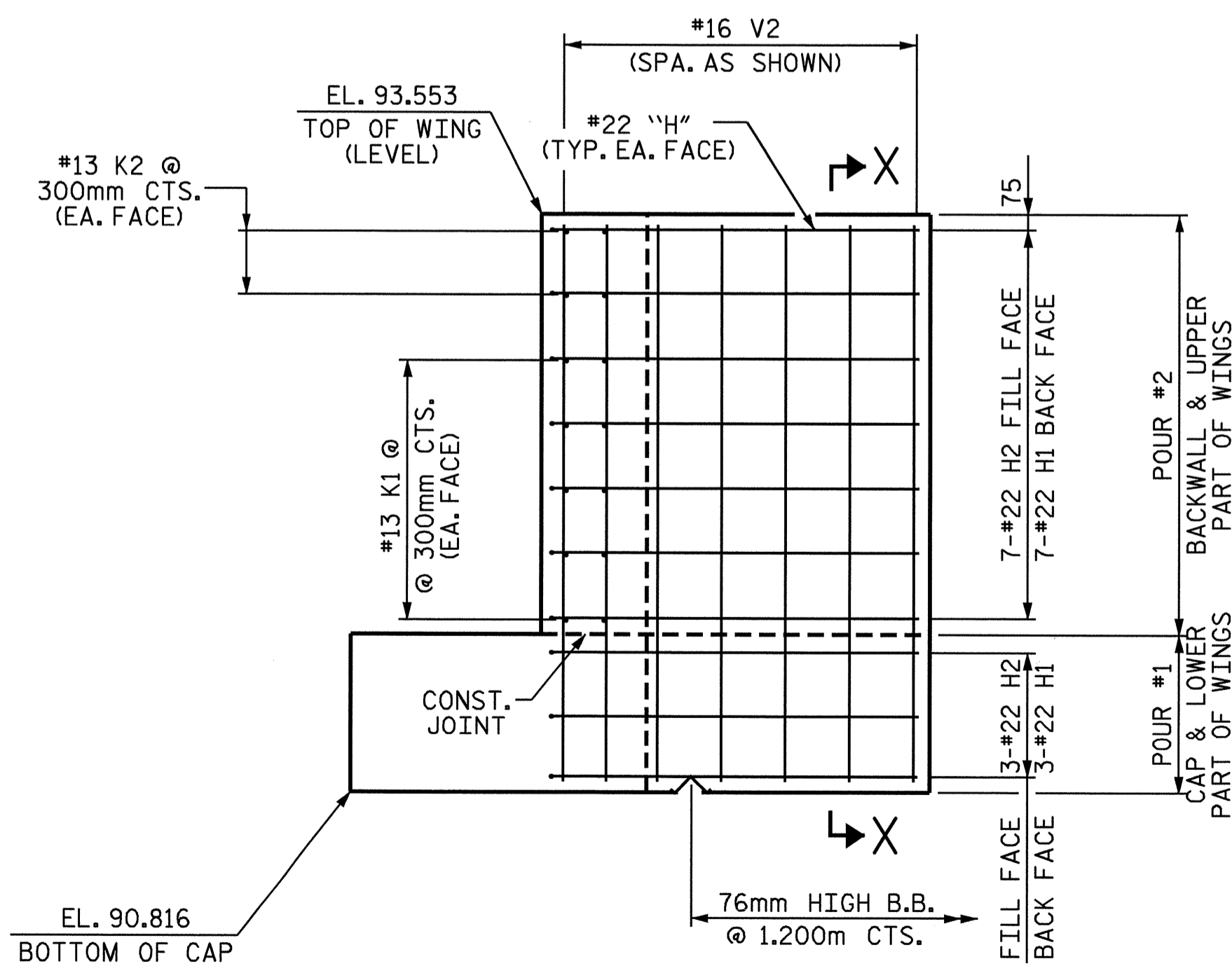
PLAN OF LEFT WING - W1



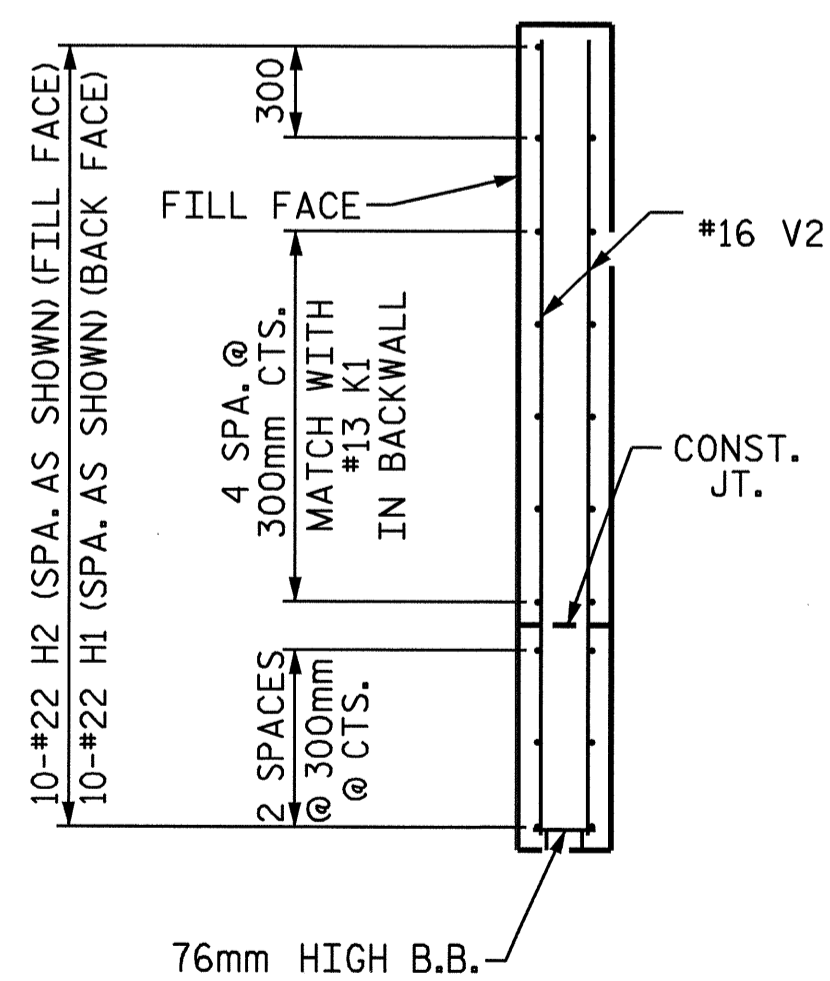
SECTION Y-Y



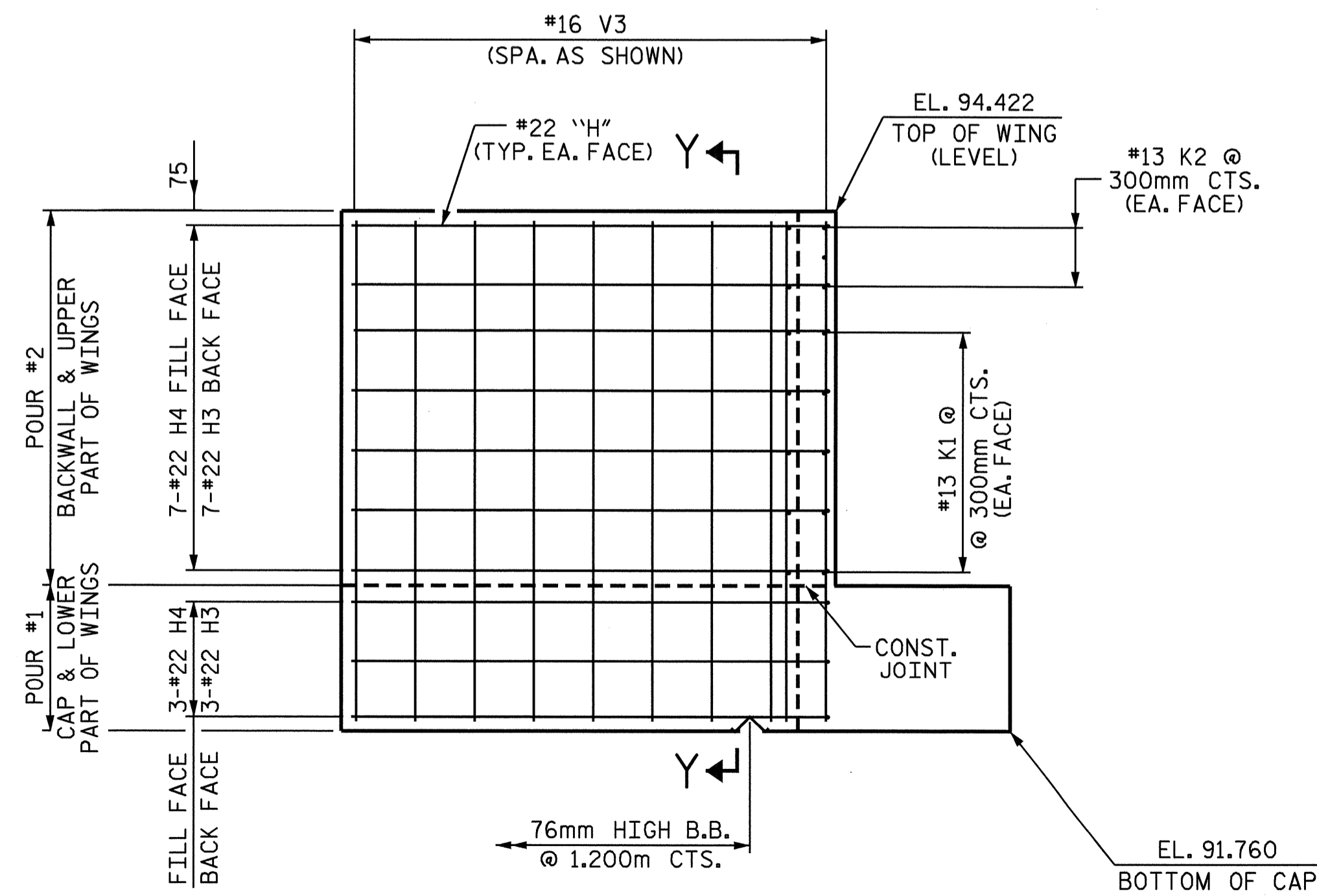
PLAN OF RIGHT WING - W2



ELEVATION OF LEFT WING - W1



SECTION X-X



ELEVATION OF RIGHT WING - W2

PROJECT NO. B-1019
ANSON COUNTY
 STATION: 14+94.156 -L-

SHEET 2 OF 3

STATE OF NORTH CAROLINA
 DEPARTMENT OF TRANSPORTATION
 RALEIGH

SUBSTRUCTURE
 END BENT #1



DRAWN BY: D. G. ELY DATE: 11/03
 CHECKED BY: A. B. NAIK DATE: 1/13/04

30-JUN-2004 15:41
 W:\squadg\b1019\Str\B1019.SD_EL.01.dgn
 wparker

REVISIONS					SHEET NO.
NO.	BY:	DATE:	NO.	BY:	DATE:
1			3		
2			4		

TOTAL SHEETS: 35