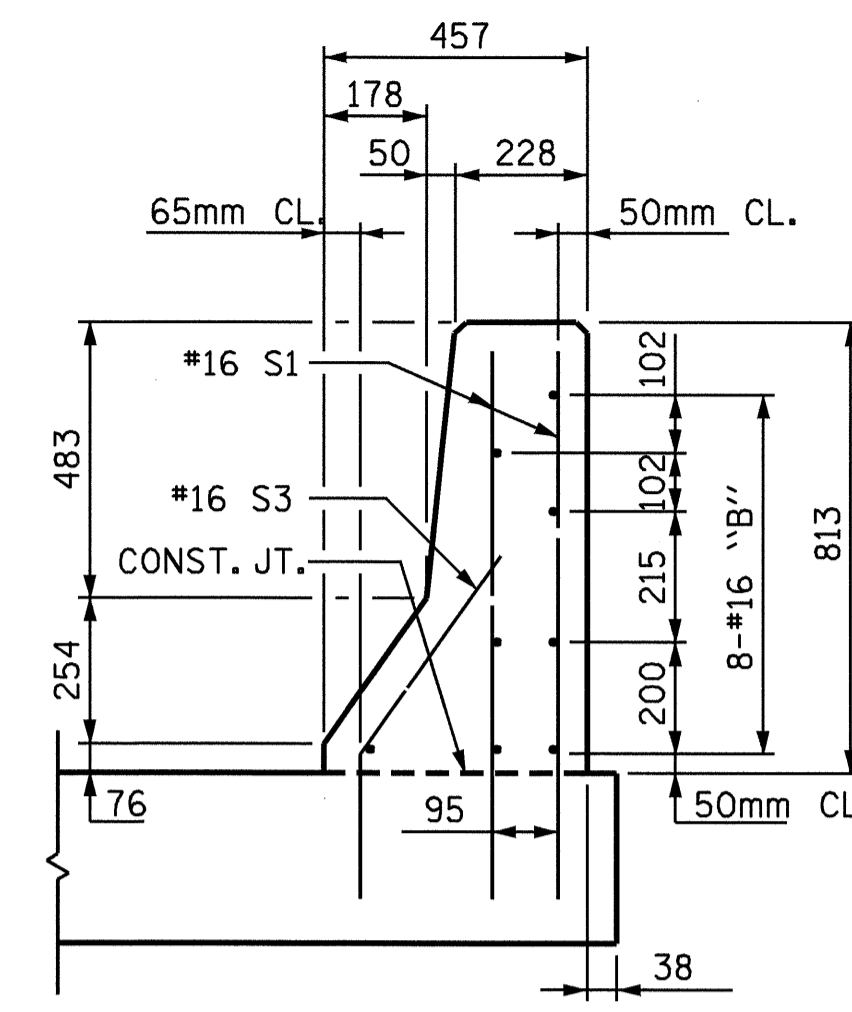
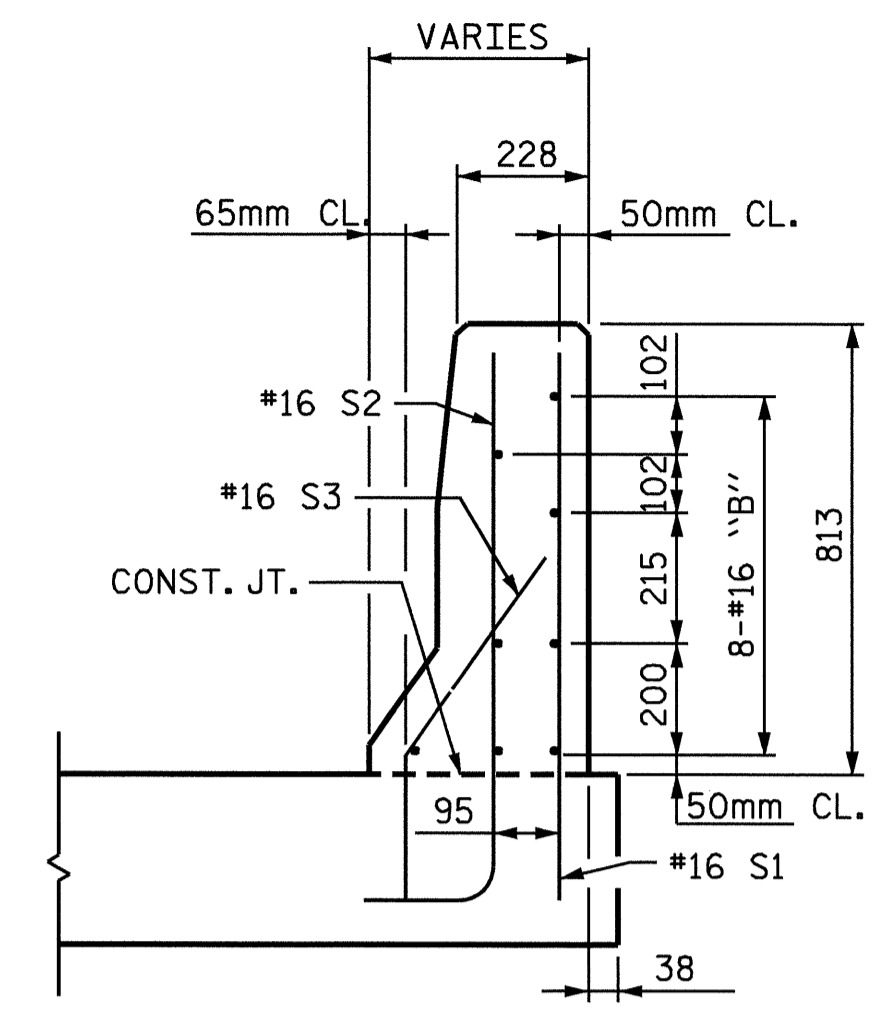


PLAN

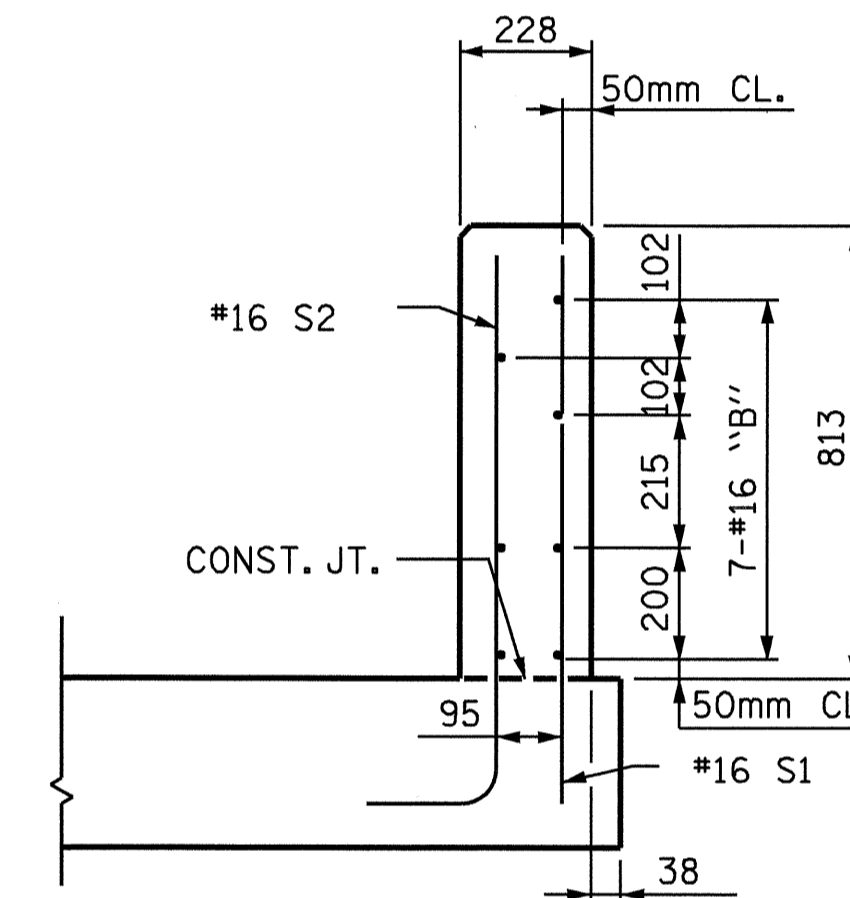
BEGIN APPROACH SLAB SHOWN,
END APPROACH SLAB SIMILAR



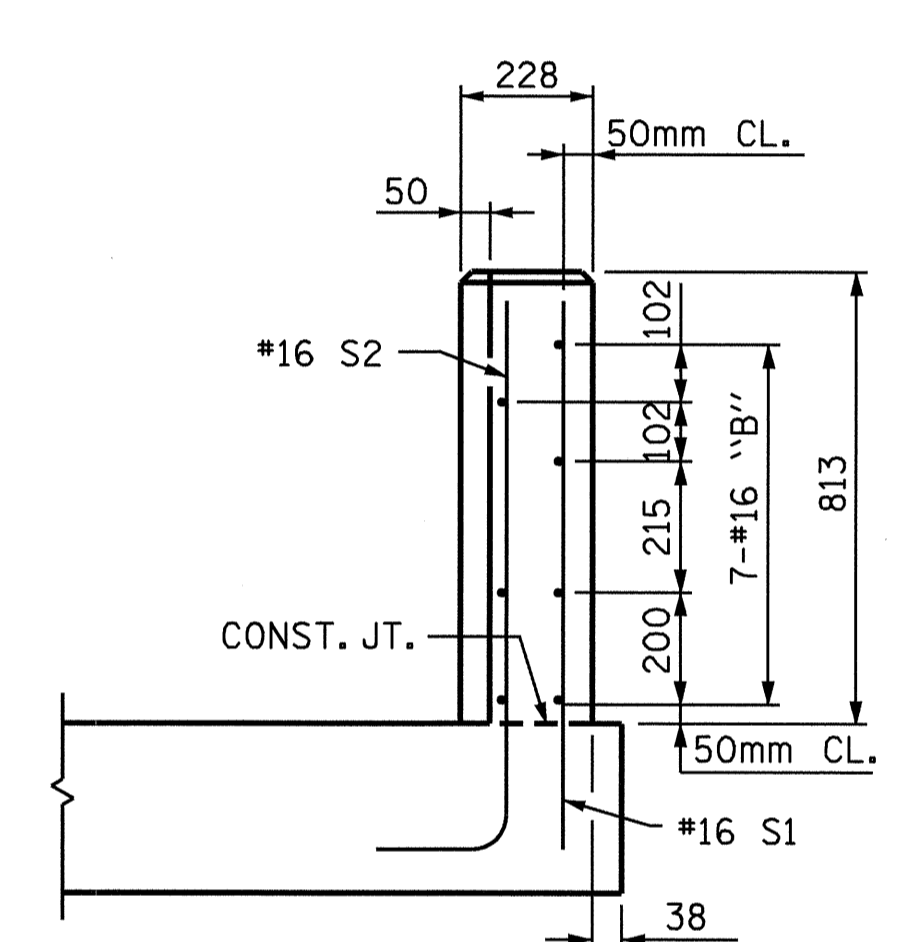
SECTION K-K



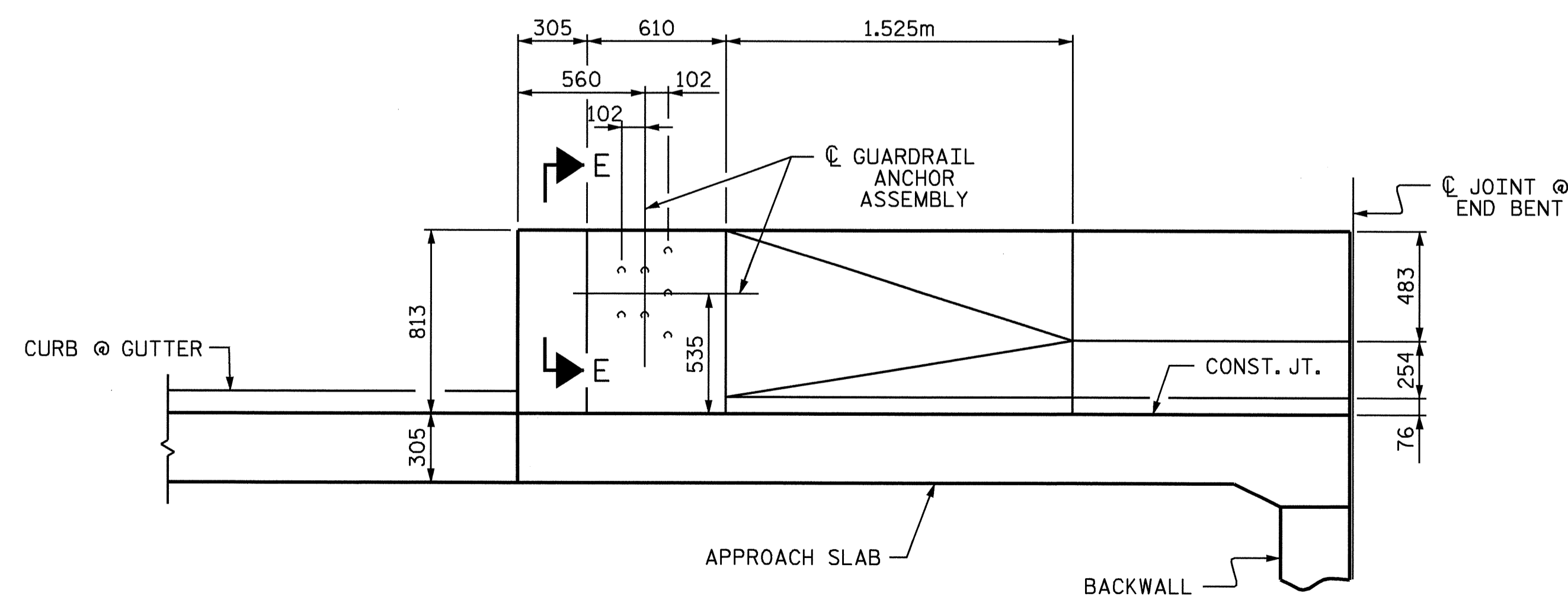
SECTION L-L



SECTION M-M



END VIEW

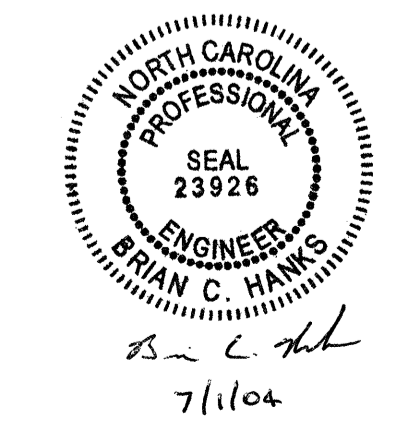


ELEVATION

NOTE: FOR GUARDRAIL ANCHORAGE DETAILS, SEE SHEET 4 OF 4.

PROJECT NO. B-1019
ANSON COUNTY
 STATION: 14+94.156 -L-

SHEET 3 OF 4



STATE OF NORTH CAROLINA
 DEPARTMENT OF TRANSPORTATION
 RALEIGH
 BRIDGE APPROACH
 SLAB DETAILS FOR
 FLEXIBLE PAVEMENT
 WITH BARRIER RAIL

REVISIONS					SHEET NO.
NO.	BY:	DATE:	NO.	BY:	DATE:
1			3		
2			4		

DRAWN BY: D. G. ELY DATE 04/28/04
 CHECKED BY: K. K. PUROHIT DATE 05/26/04

30-JUN-2004 15:40
 W:\sqiddg\BIO19\Str\BIO19_SD_AS_01.dgn
 wparker