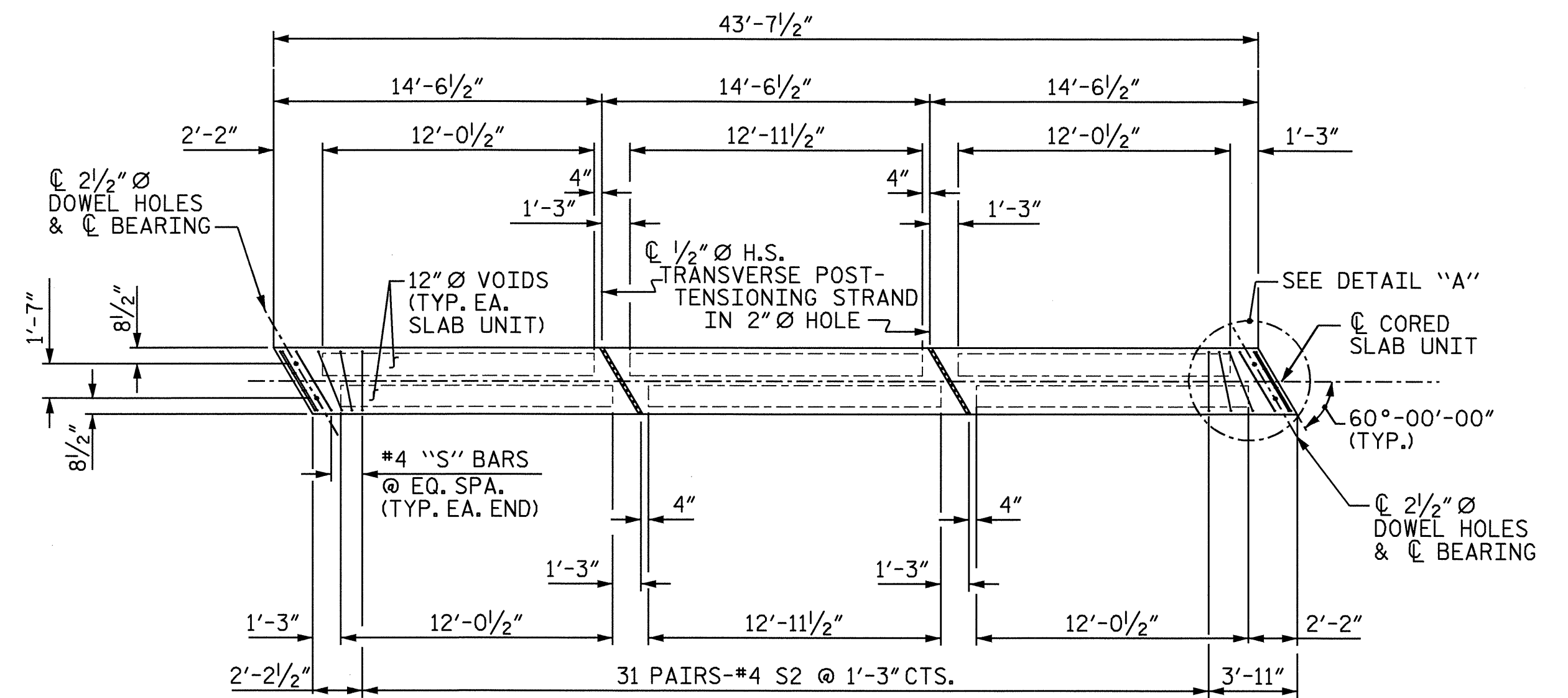
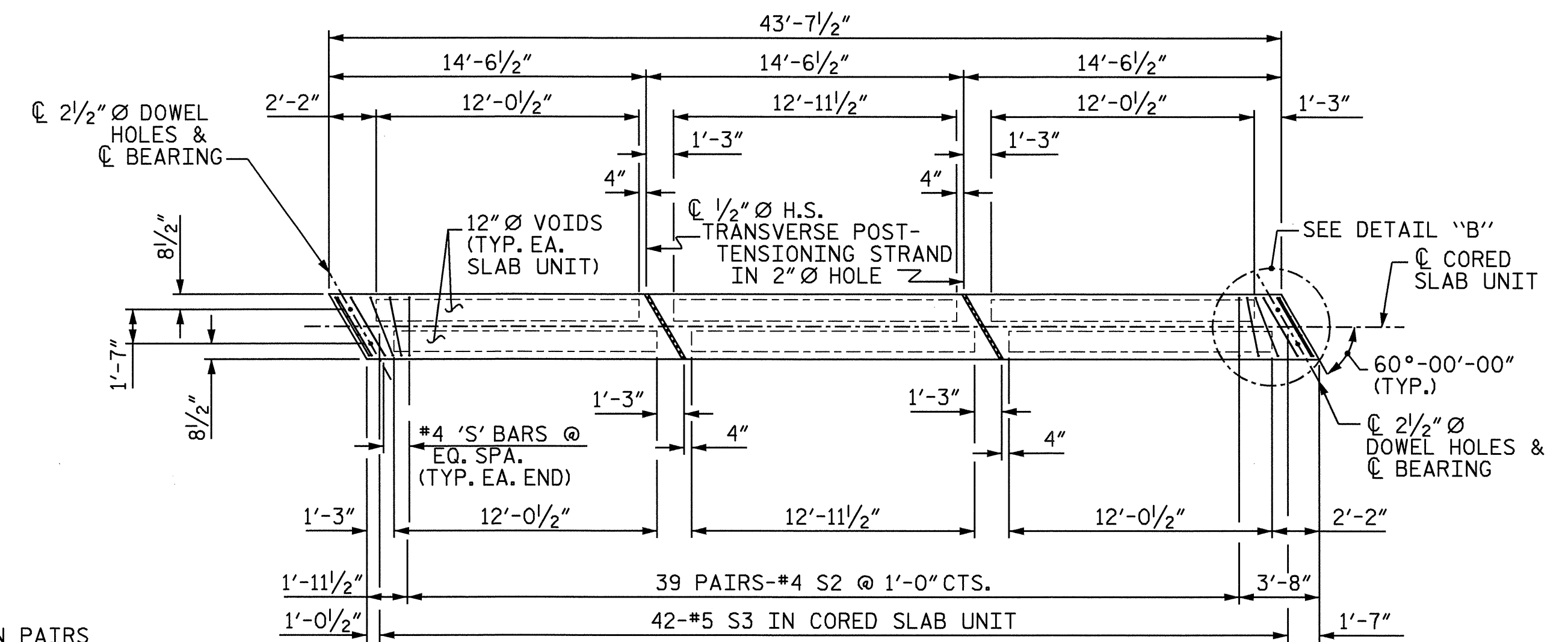


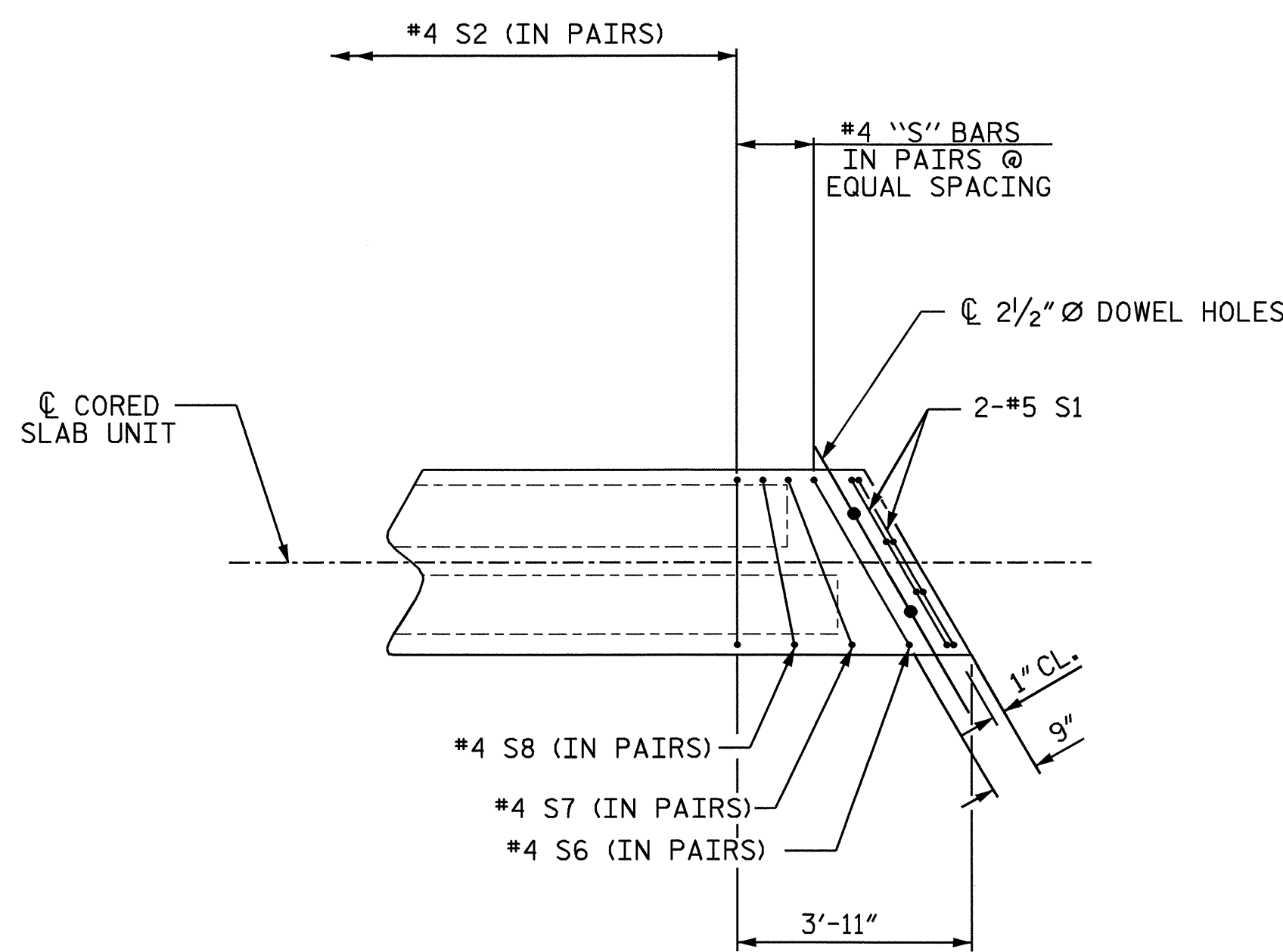
PLAN OF SPAN A



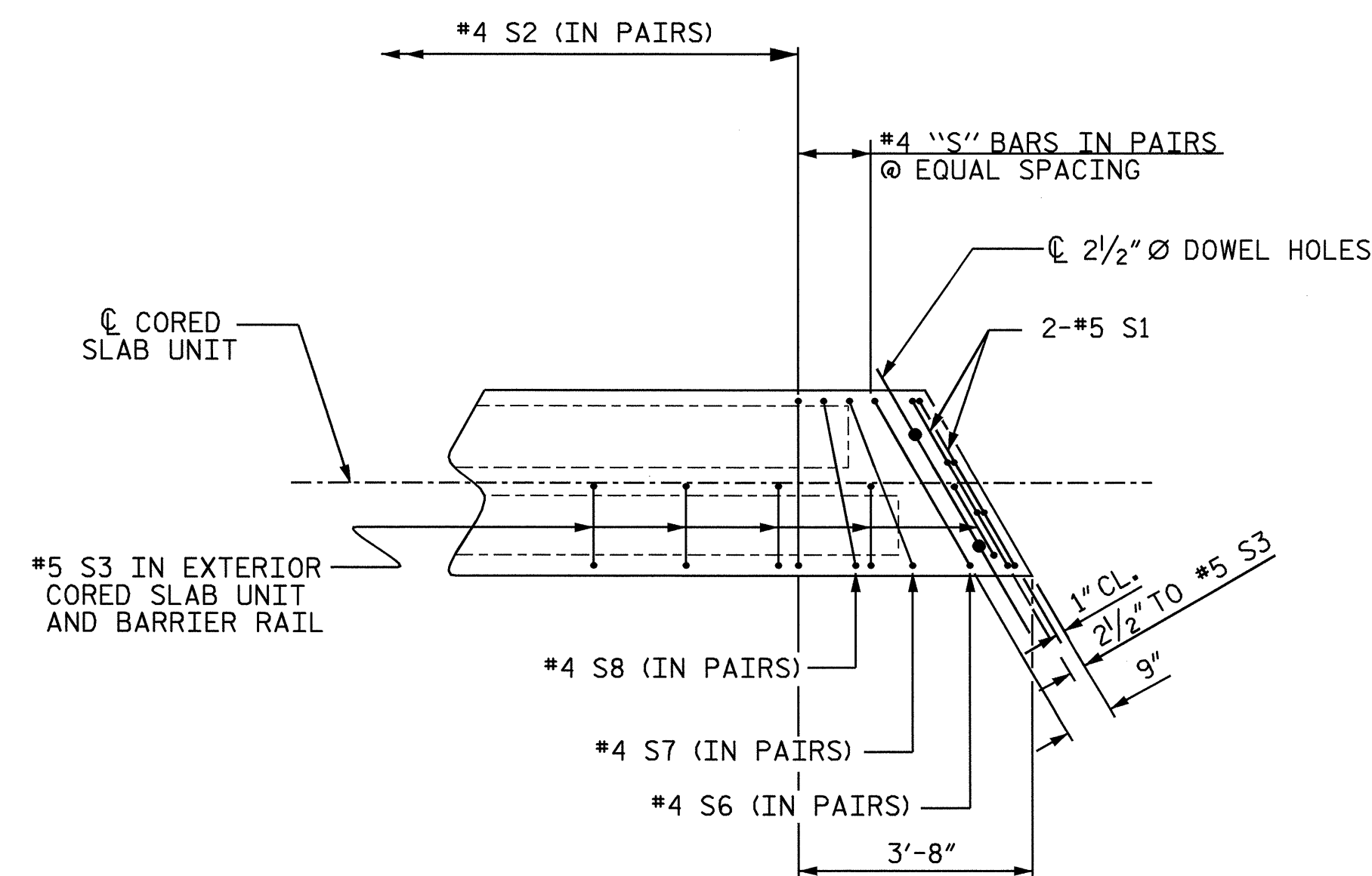
PLAN OF INTERIOR CORED SLAB UNIT



PLAN OF EXTERIOR CORED SLAB UNIT



DETAIL "A"  
(SIMILAR EA. END)



DETAIL "B"  
(SIMILAR EA. END)

PROJECT NO. B-3901  
ROCKINGHAM COUNTY  
 STATION: 23+37.40 -L-

SHEET 2 OF 5

STATE OF NORTH CAROLINA  
 DEPARTMENT OF TRANSPORTATION  
 RALEIGH

SUPERSTRUCTURE  
 PLAN OF SPAN A



DRAWN BY: R. G. EMERSON DATE: 1 / 04  
 CHECKED BY: A. V. RAOYAL DATE: 2 / 04

21-JUL-2004 08:12  
 W:\sqdw\B3901\remerson\MCrostation\B3901.sd.CS.01.dgn  
 dpetrey

| REVISIONS |     |       |     |     |       | SHEET NO. |    |
|-----------|-----|-------|-----|-----|-------|-----------|----|
| NO.       | BY: | DATE: | NO. | BY: | DATE: | S-5       |    |
| 1         |     |       | 3   |     |       | TOTAL     | 22 |
| 2         |     |       | 4   |     |       | SHEETS    |    |