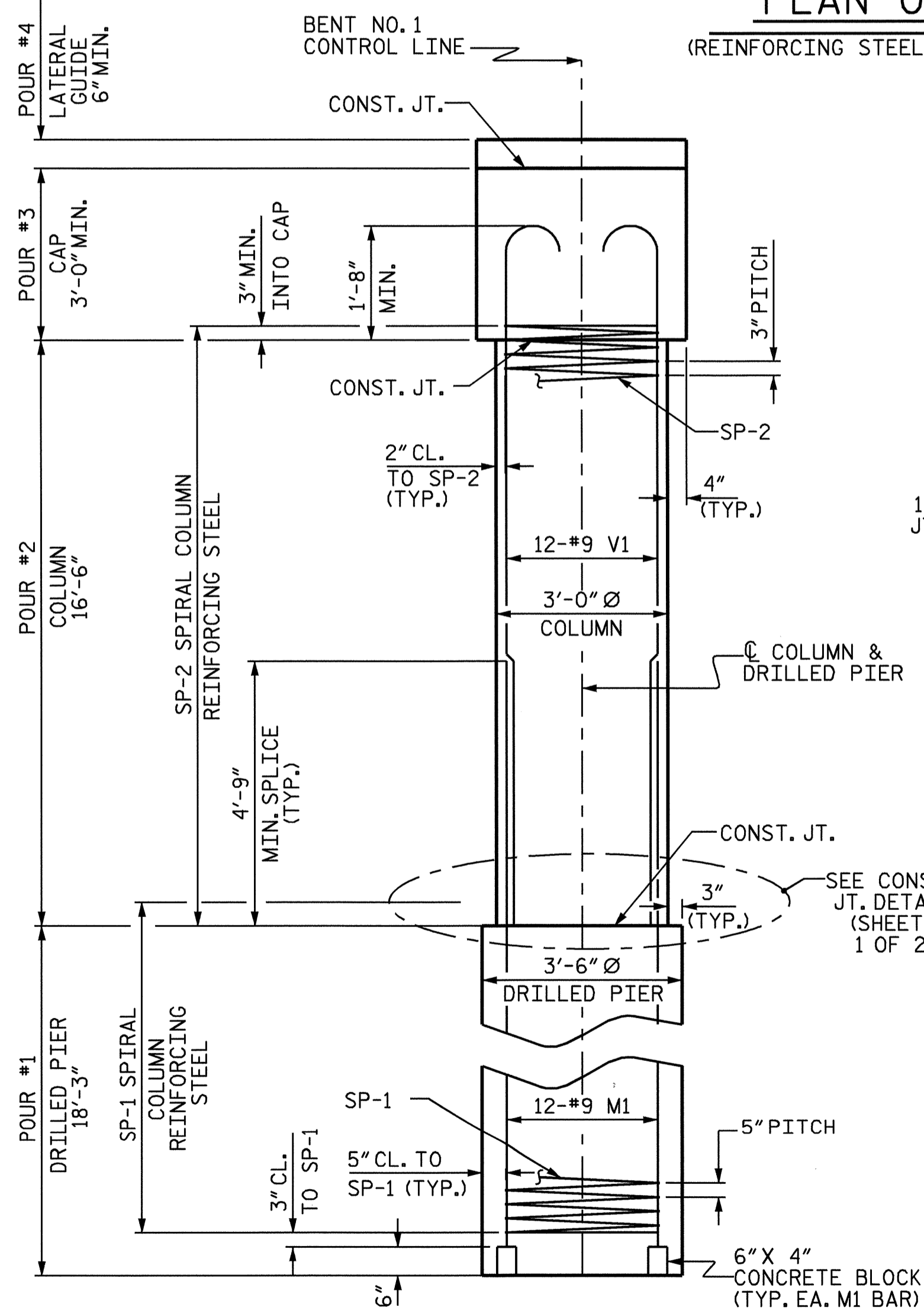


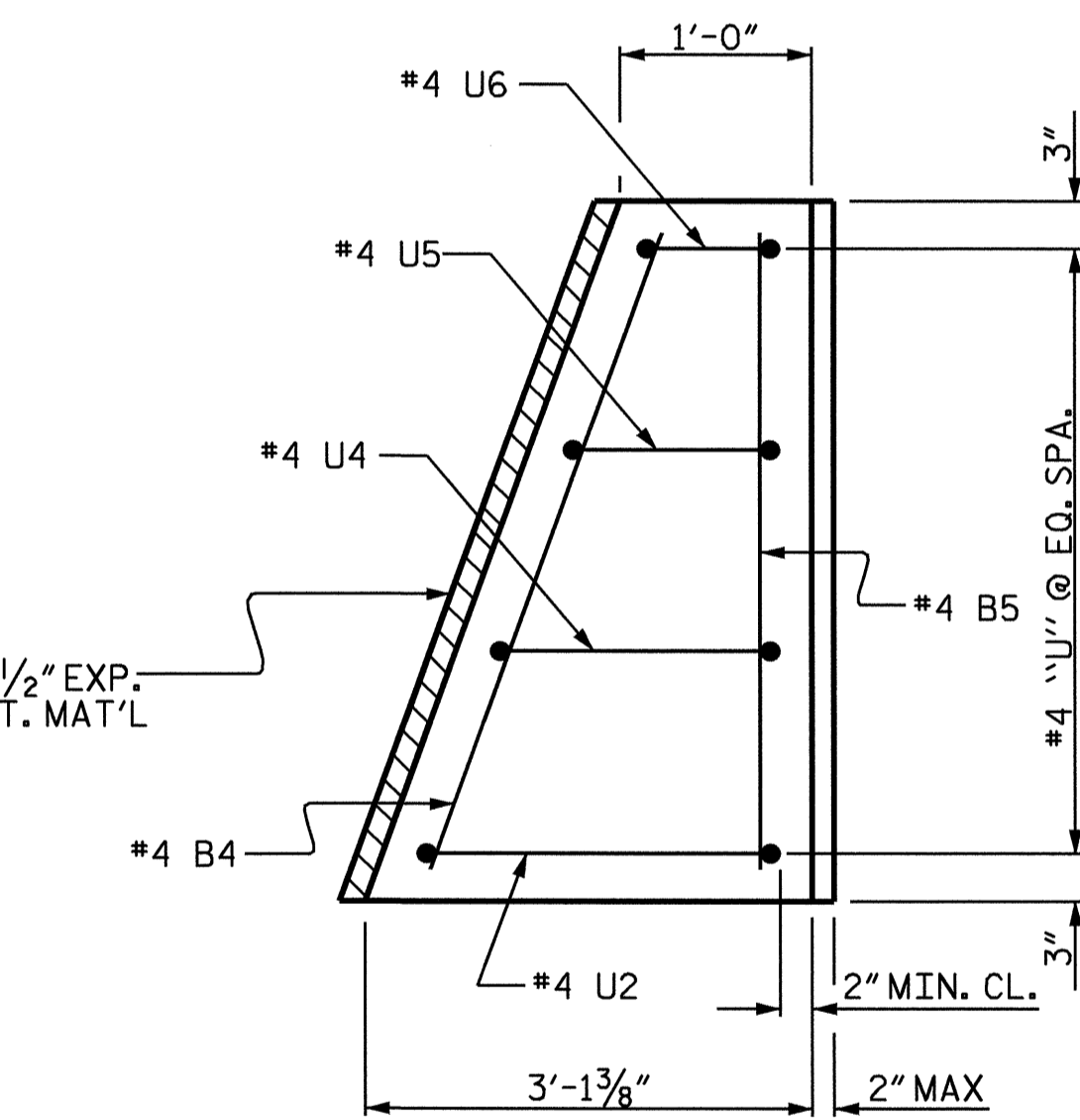
PLAN OF DRILLED PIERS & COLUMNS

(REINFORCING STEEL AND DIMENSIONS ARE TYPICAL FOR EACH COLUMN & DRILLED PIER)

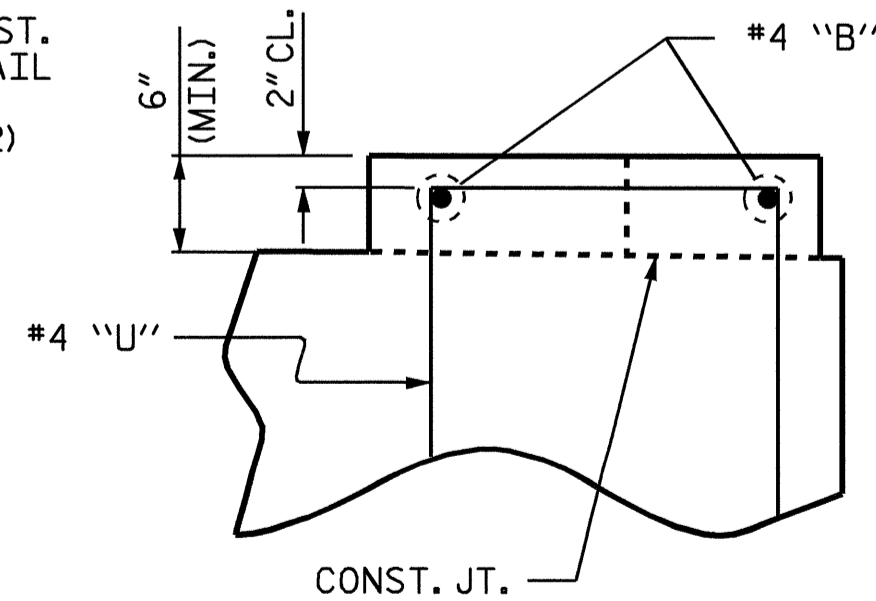


END ELEVATION

REINFORCING STEEL AND DIMENSIONS ARE TYPICAL FOR EACH COLUMN AND DRILLED PIER



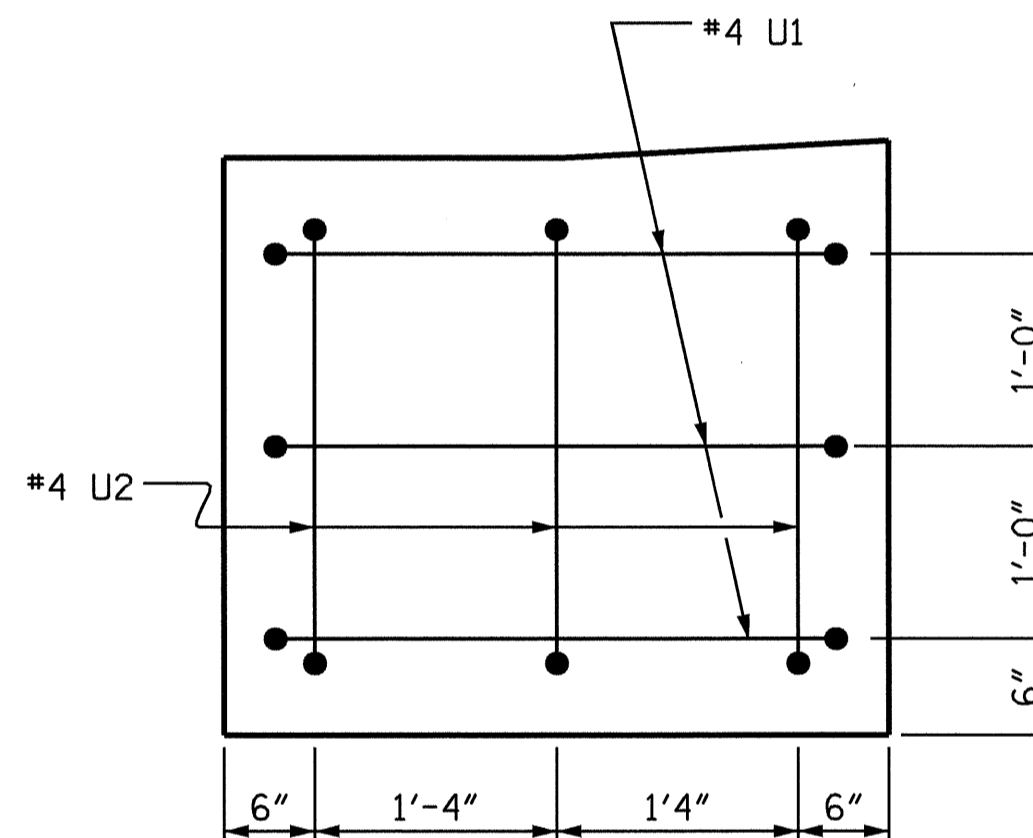
PLAN



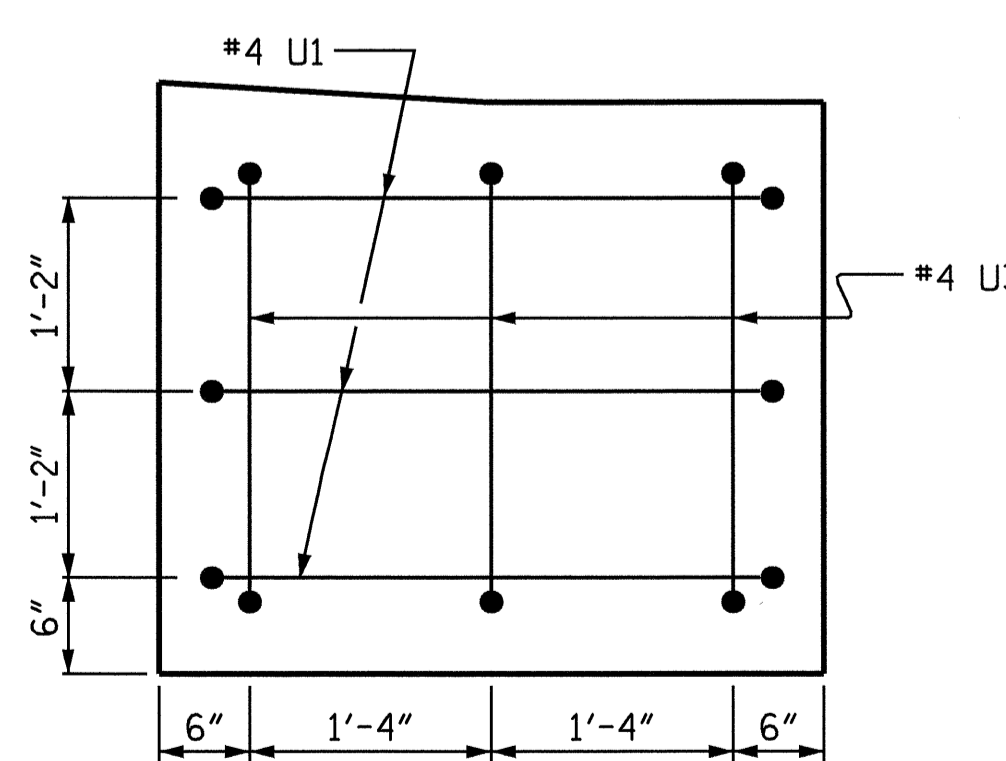
ELEVATION

LATERAL GUIDE DETAIL

(RIGHT LATERAL GUIDE SHOWN, LEFT SIDE SIMILAR)

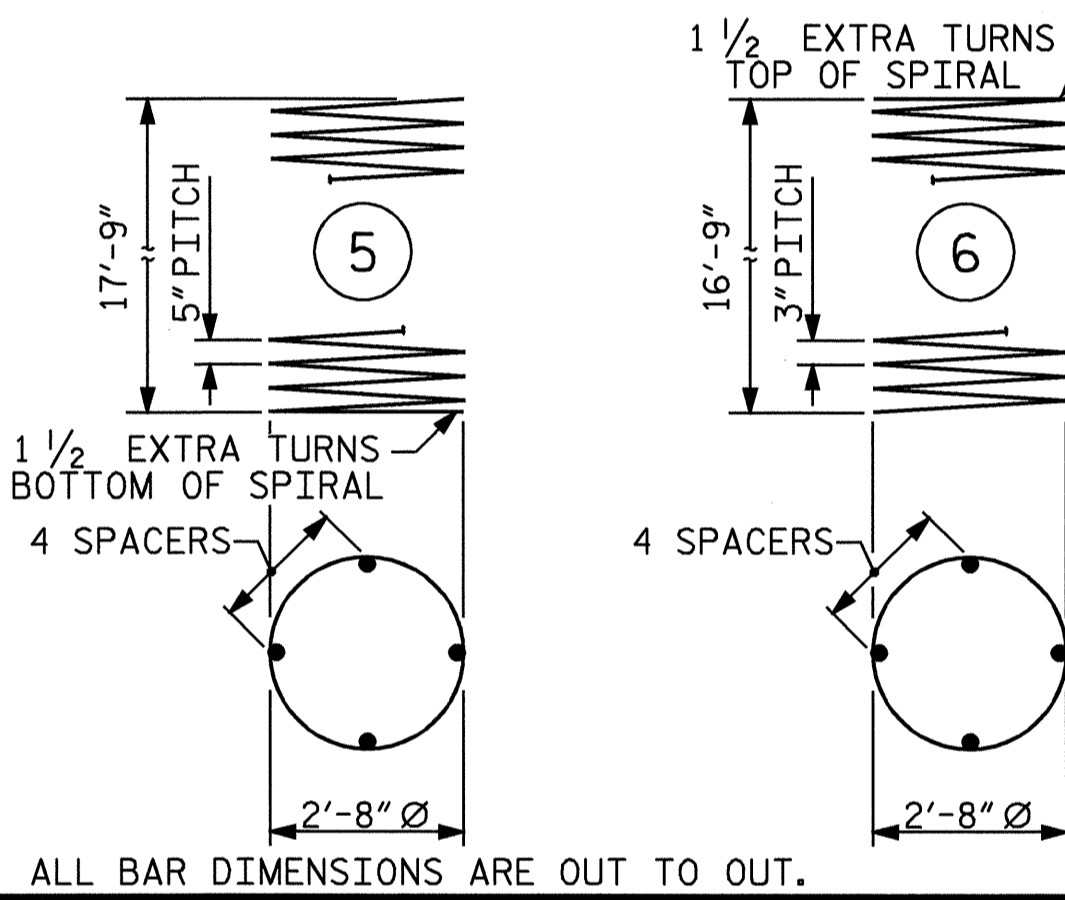
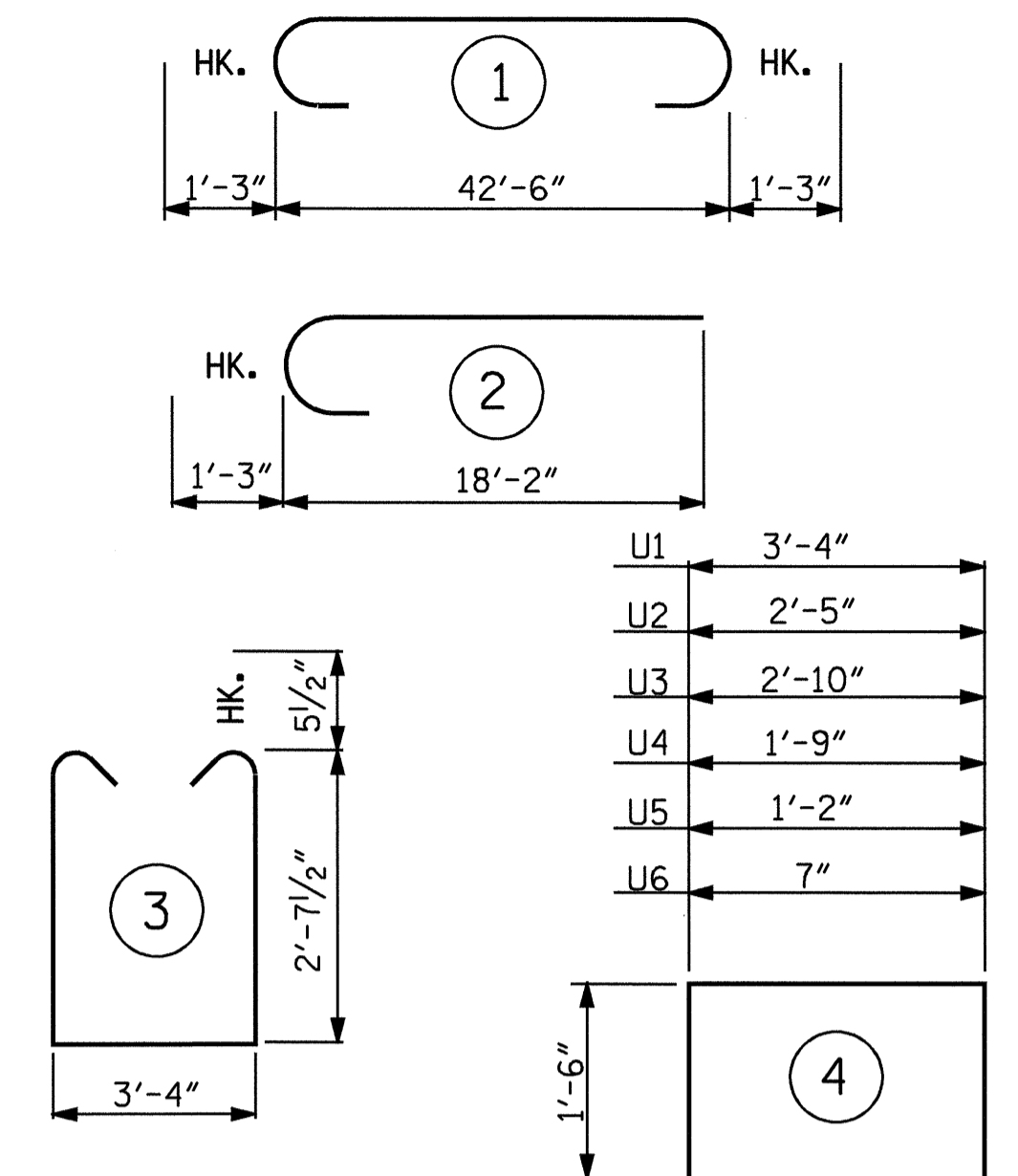


VIEW X-X

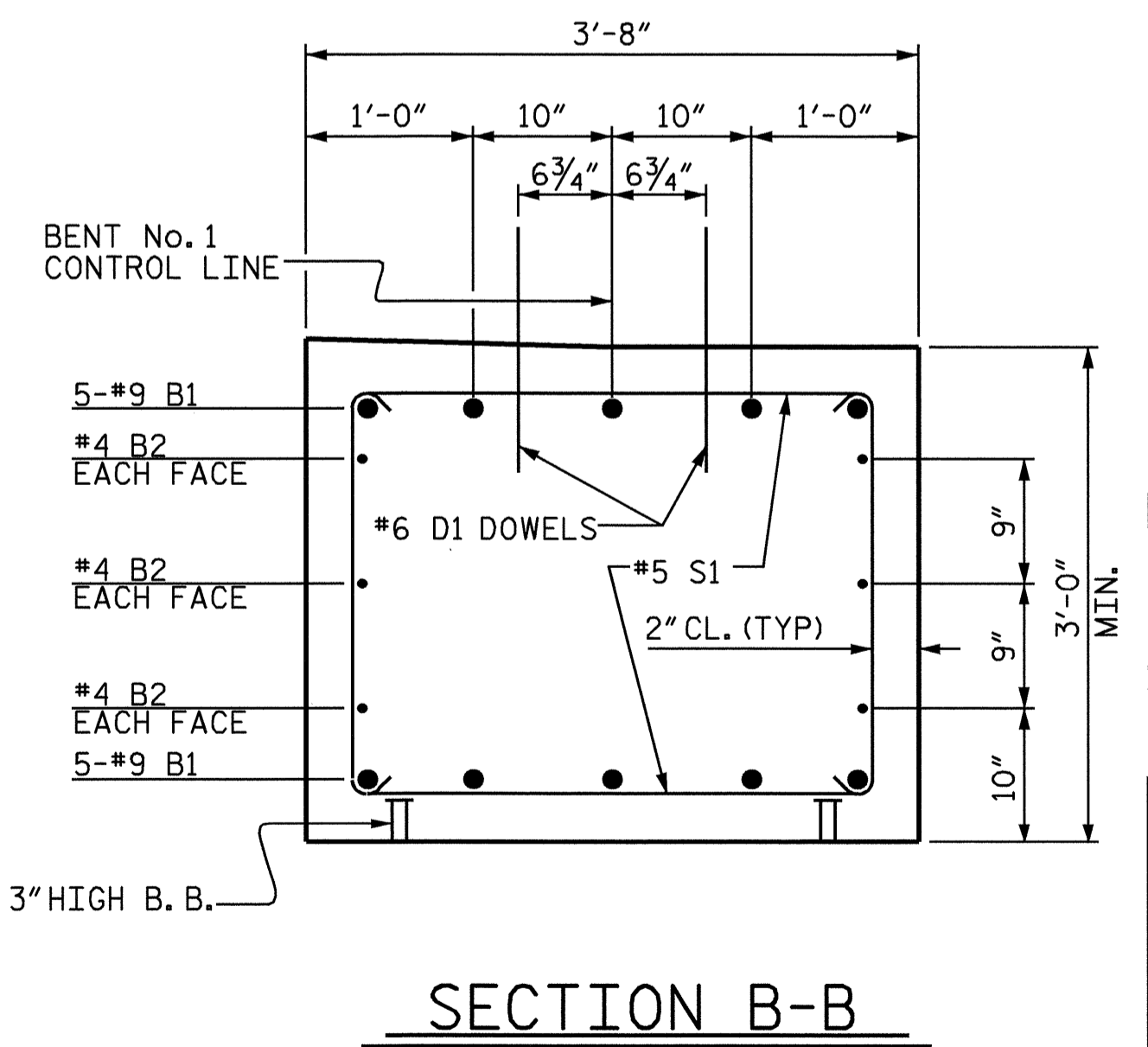


VIEW Y-Y

BAR TYPES



ALL BAR DIMENSIONS ARE OUT TO OUT.



SECTION B-B

BILL OF MATERIAL

BENT NO. 1

BAR NO.	SIZE	TYPE	LENGTH	WEIGHT	
B1	10	9	1	45'-0"	1530
B2	12	4	STR	22'-7"	181
B3	5	4	STR	23'-7"	79
B4	2	4	STR	3'-10"	5
B5	2	4	STR	3'-4"	4
D1	44	6	STR	1'-6"	99
S1	36	5	3	9'-6"	357
M1	36	9	STR	25'-6"	3121
U1	22	4	4	6'-4"	93
U2	5	4	4	5'-5"	18
U3	3	4	4	5'-10"	12
U4	2	4	4	4'-9"	6
U5	2	4	4	4'-2"	6
U6	2	4	4	3'-7"	5
V1	36	9	2	19'-5"	2377

REINFORCING STEEL LBS. 7893

SP-1	3	*	5	370'-2"	1158
SP-2	3	**	6	569'-3"	1141

SPIRAL COLUMN REINFORCING STEEL LBS. 2299

* THE SP-2 SPIRAL REINFORCING STEEL SHALL BE W20 OR D-20 COLD DRAWN WIRE OR #4 PLAIN OR DEFORMED BAR.
* THE SP-1 SPIRAL REINFORCING STEEL SHALL BE W31 OR D-31 COLD DRAWN WIRE OR #5 PLAIN OR DEFORMED BAR.

THE CONTRACTOR'S ATTENTION IS CALLED TO THE FACT THAT THE LONGITUDINAL REINFORCEMENT FOR THE DRILLED PIERS IS DETAILED WITH 3 FEET OF EXTRA LENGTH.

CLASS A CONCRETE BREAKDOWN:

POUR #2 (COLUMNS)	13.0 C. Y.
POUR #3 (CAP)	19.2 C. Y.
POUR #4 (LATERAL GUIDES)	0.3 C. Y.
TOTAL	32.5 C. Y.

DRILLED PIERS:

DRILLED PIER CONCRETE	
POUR #1 (DRILLED PIERS)	19.5 C. Y.
3'-6" Ø DRILLED PIER NOT IN SOIL	24.00 LIN. FT.
3'-6" Ø DRILLED PIER IN SOIL	30.75 LIN. FT.
PERMANENT STEEL CASING FOR 3'-6" Ø DRILLED PIER	24.13 LIN. FT.
CSL TUBES	249 LIN. FT.

PROJECT NO. B-3901
ROCKINGHAM COUNTY
STATION: 23+37.40 -L-

SHEET 2 OF 2

STATE OF NORTH CAROLINA
DEPARTMENT OF TRANSPORTATION
RALEIGH

SUBSTRUCTURE

BENT No. 1

REVISIONS				SHEET NO.	
NO.	BY:	DATE:	NO.	BY:	DATE:
1			3		
2			4		

