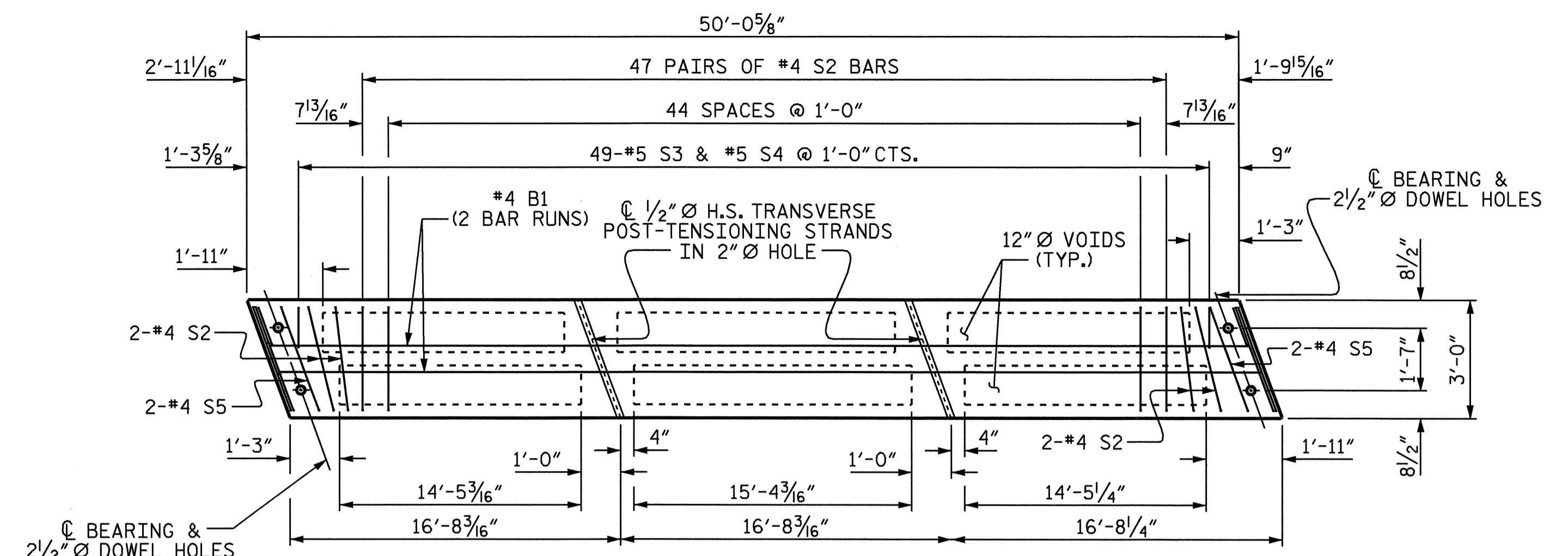


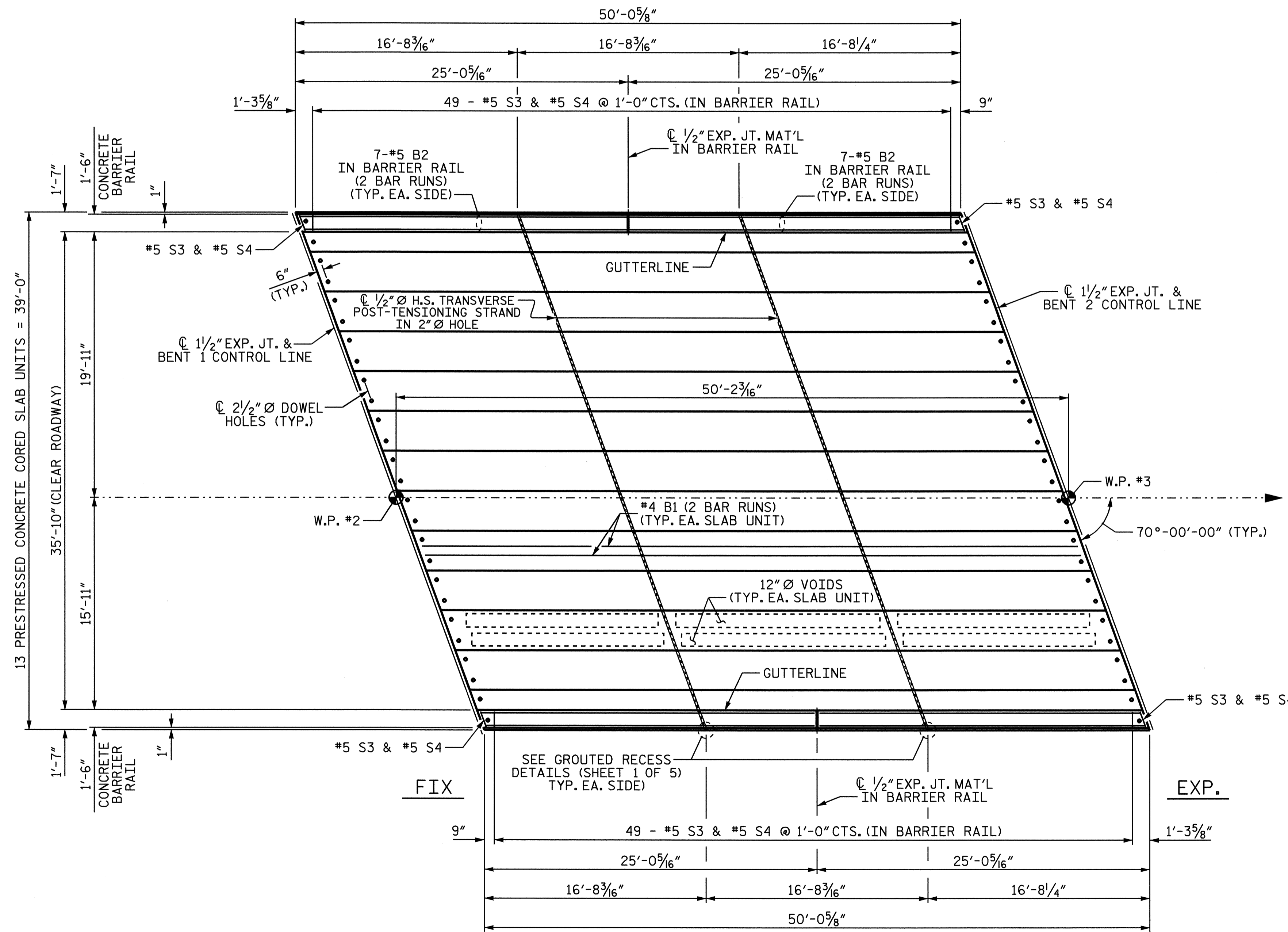
PLAN OF INTERIOR CORED SLAB UNIT - SPAN B

FOR REINFORCING STEEL AT ENDS OF CORED SLAB UNITS, SEE "PART-PLAN - EXTERIOR SECTION", SHEET 1 OF 5.



PLAN OF EXTERIOR CORED SLAB UNIT - SPAN B

FOR REINFORCING STEEL AT ENDS OF CORED SLAB UNITS, SEE "PART-PLAN - EXTERIOR SECTION", SHEET 1 OF 5.

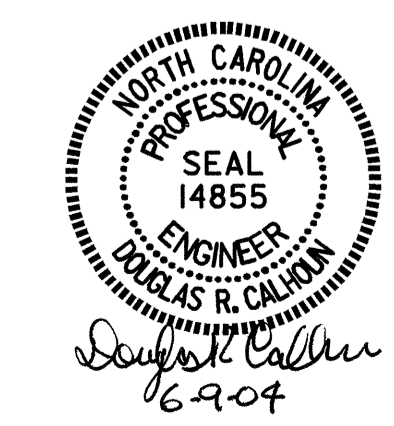


PLAN OF SPAN B

FOR REINFORCING STEEL IN END OF CORED SLAB UNIT, SEE "PART PLAN-EXTERIOR SECTION", SHEET 1 OF 5.

NOTE: S2 & S3 BARS IN INTERIOR & EXTERIOR SLABS MAY BE MOVED SLIGHTLY TO MAINTAIN 2" CLEARANCE OF 2 1/2" Ø HOLE

PROJECT NO. B-3884
ONSLOW COUNTY
 STATION: 14+89.75 -L-
 SHEET 3 OF 5



STATE OF NORTH CAROLINA DEPARTMENT OF TRANSPORTATION RALEIGH					
SUPERSTRUCTURE PLAN OF SPAN B					
REVISIONS					
NO.	BY:	DATE:	NO.	BY:	DATE:
1			3		
2			4		
					SHEET NO. S-7
					TOTAL SHEETS 23

DRAWN BY: T. A. HARRIS DATE: 1/30/03
 CHECKED BY: K. MCCAULEY DATE: 3/5/03