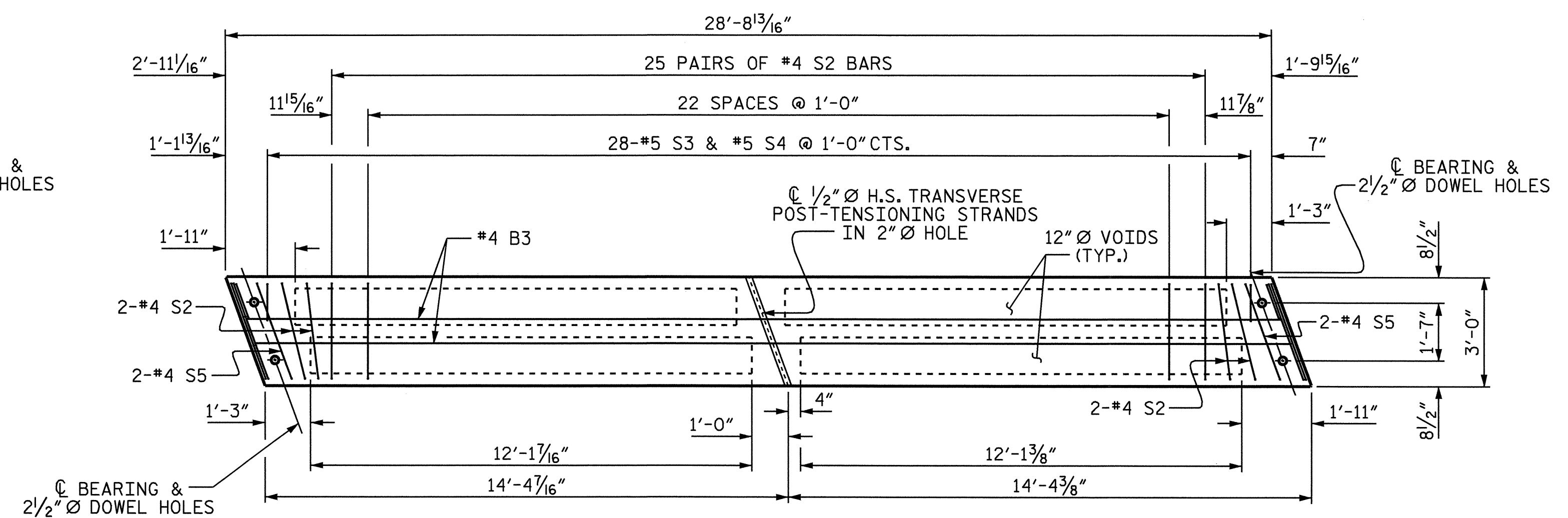


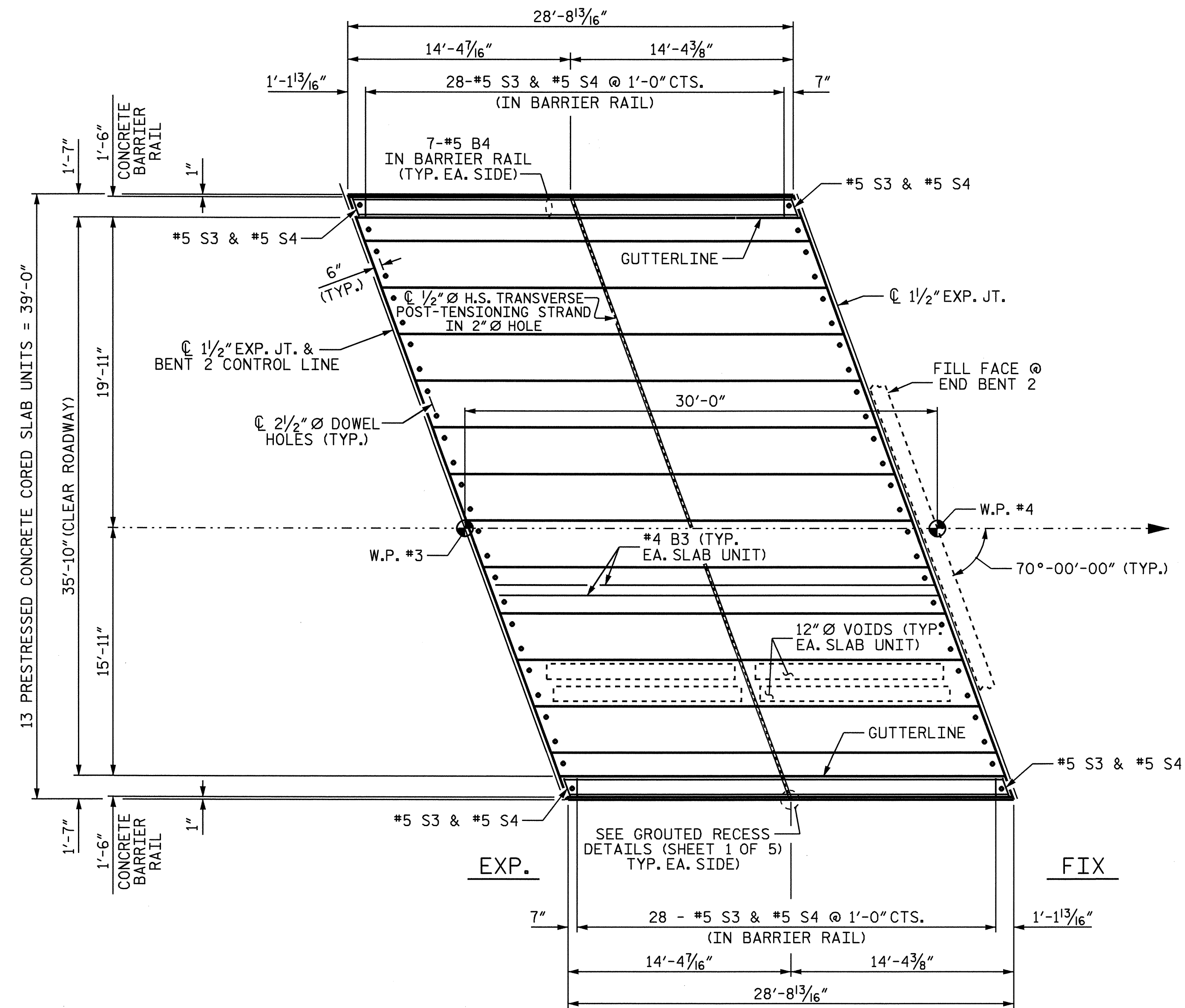
PLAN OF INTERIOR CORED SLAB UNIT - SPAN C

FOR REINFORCING STEEL AT ENDS OF CORED SLAB UNITS, SEE "PART-PLAN - EXTERIOR SECTION", SHEET 1 OF 5.



PLAN OF EXTERIOR CORED SLAB UNIT - SPAN C

FOR REINFORCING STEEL AT ENDS OF CORED SLAB UNITS, SEE "PART-PLAN - EXTERIOR SECTION", SHEET 1 OF 5.



NOTE: S2 & S3 BARS IN INTERIOR & EXTERIOR SLABS MAY BE MOVED SLIGHTLY TO MAINTAIN 2" CLEARANCE OF 2 1/2" Ø HOLE

PLAN OF SPAN C

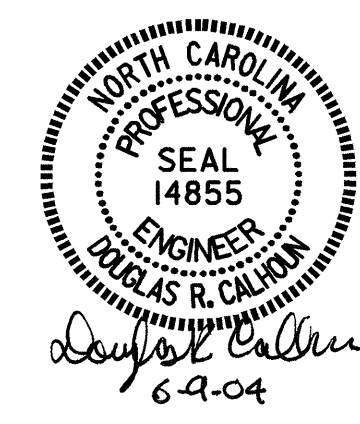
FOR REINFORCING STEEL IN END OF CORED SLAB UNIT, SEE "PART PLAN-EXTERIOR SECTION", SHEET 1 OF 5.

PROJECT NO. B-3884
ONSLOW COUNTY
 STATION: 14+89.75 -L-

SHEET 4 OF 5

STATE OF NORTH CAROLINA
 DEPARTMENT OF TRANSPORTATION
 RALEIGH

**SUPERSTRUCTURE
 PLAN OF SPAN C**



DRAWN BY: T. A. HARRIS DATE: 1/30/03
 CHECKED BY: K. MCCALLEY DATE: 3/5/03

REVISIONS					SHEET NO.
NO.	BY:	DATE:	NO.	BY:	DATE:
1			3		
2			4		

TOTAL SHEETS: 23