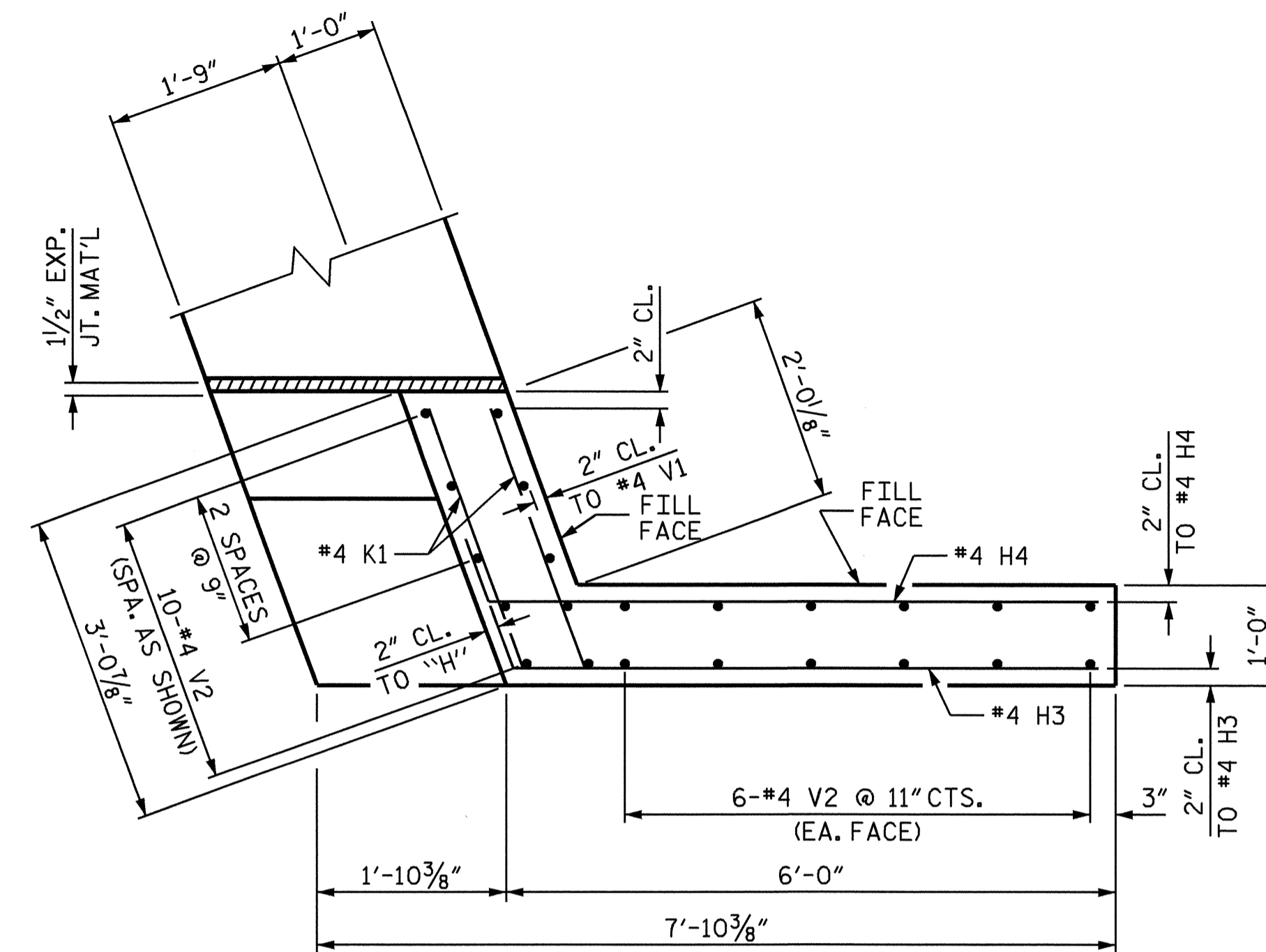
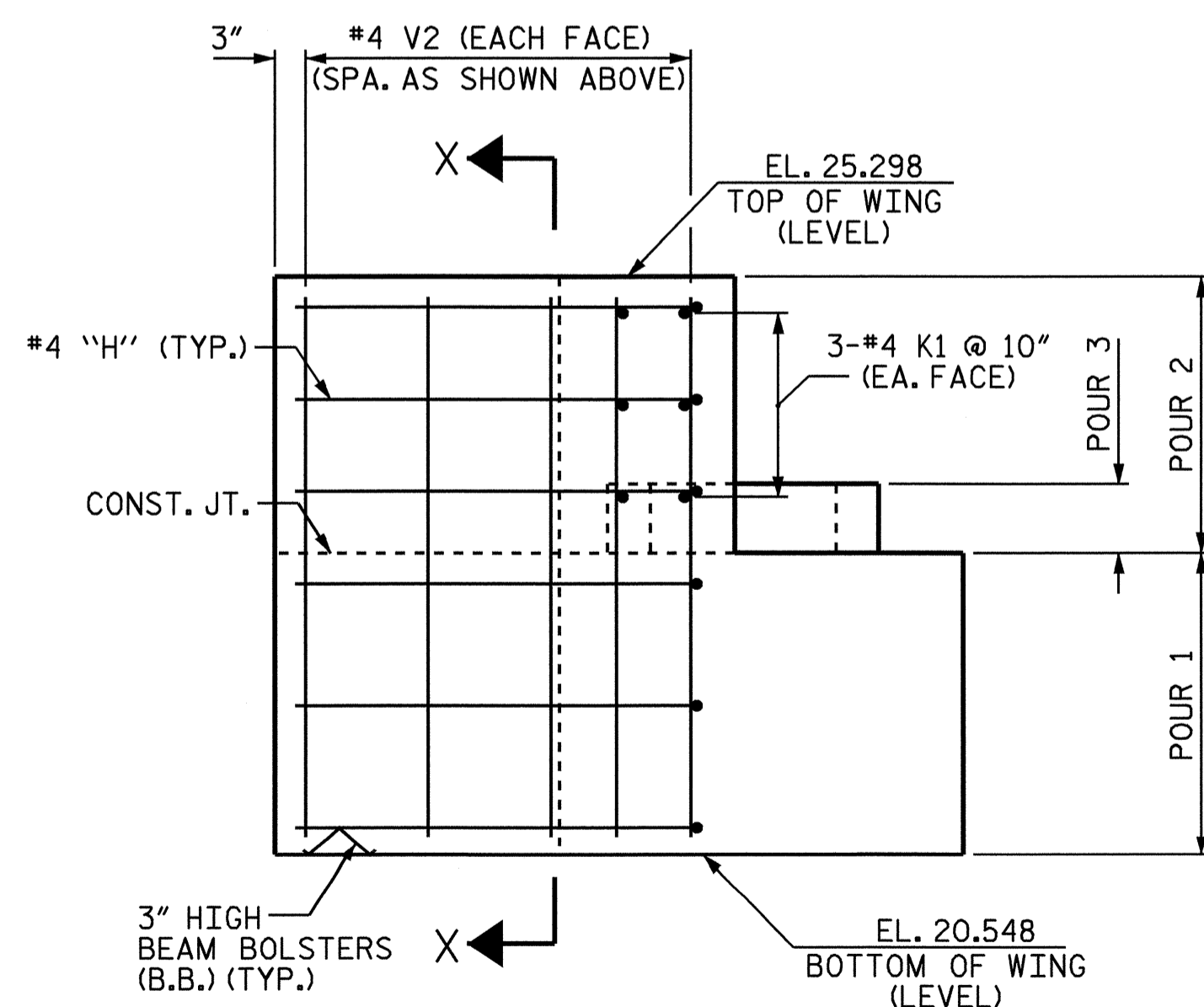


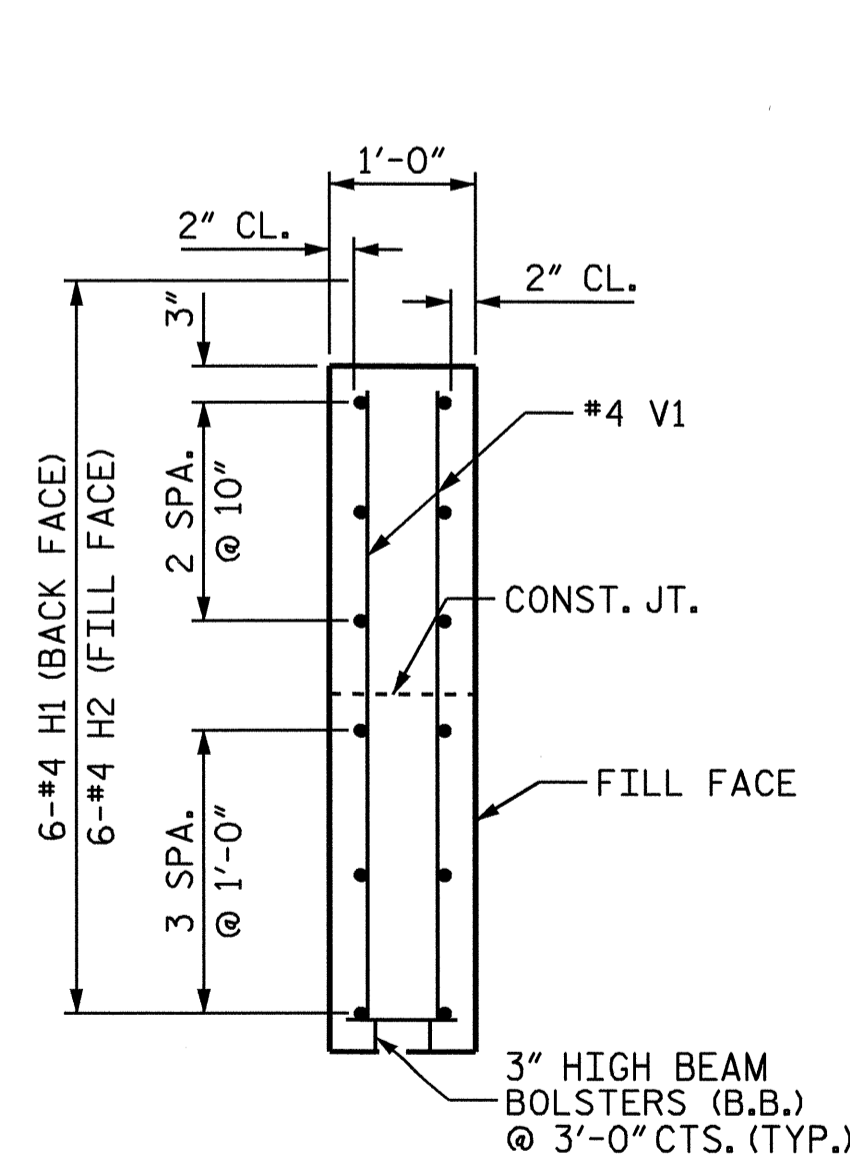
PLAN OF WING (W1)



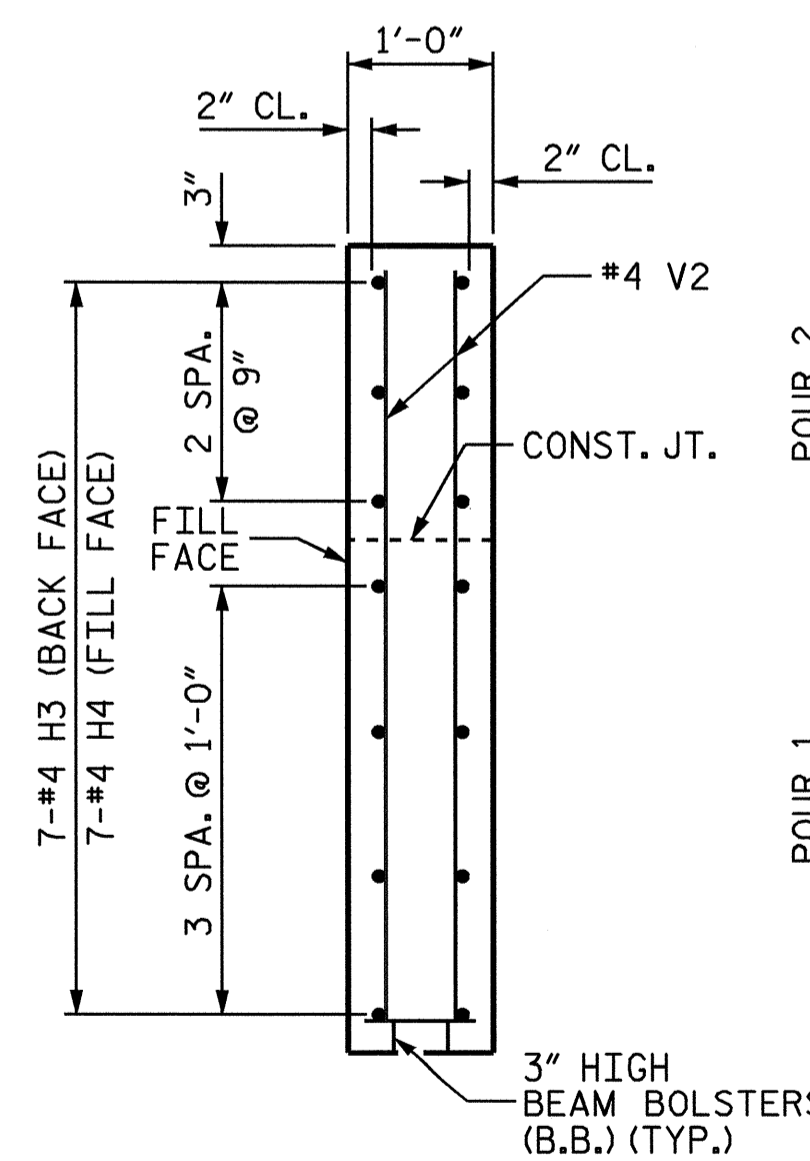
PLAN OF WING (W2)



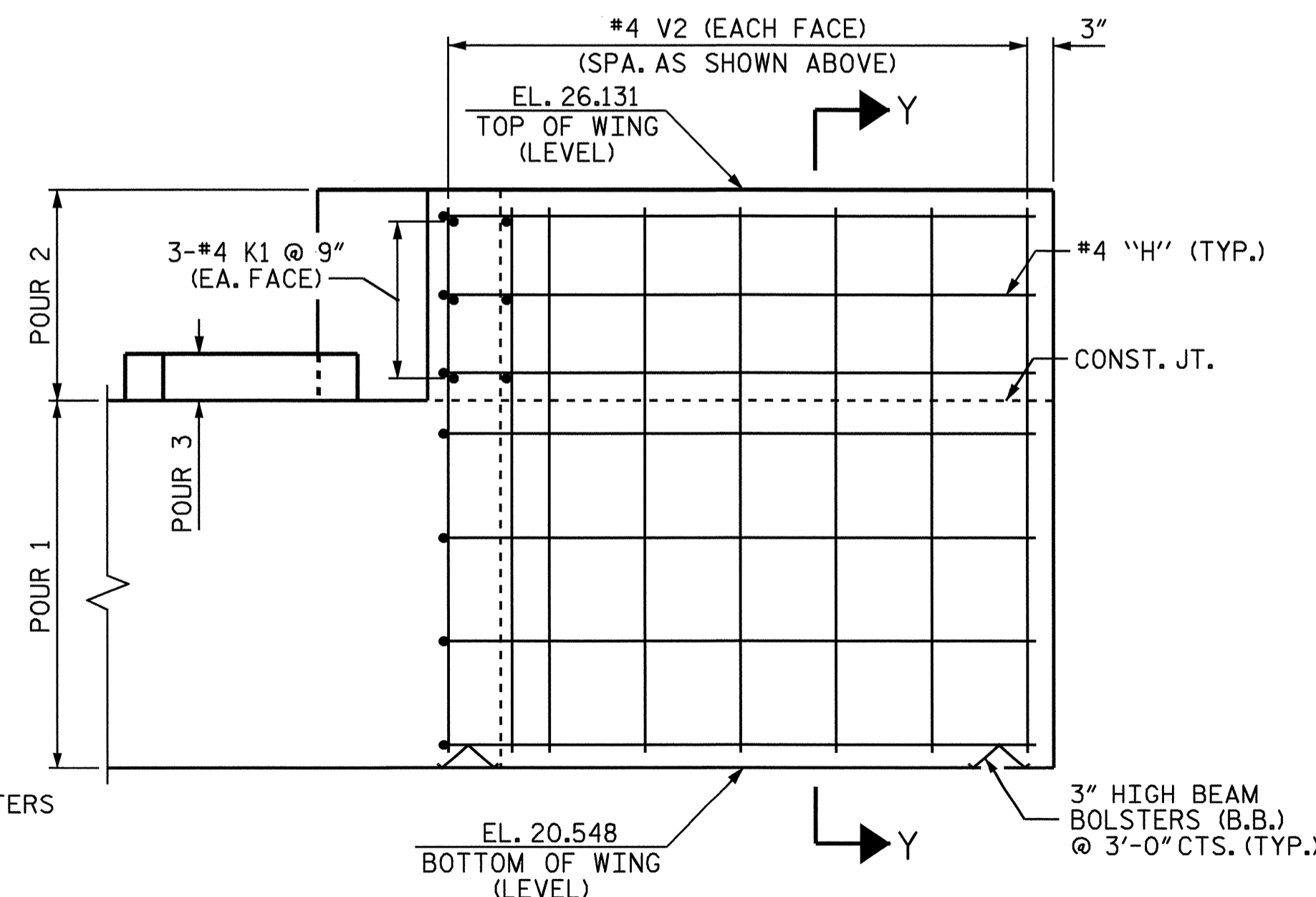
ELEVATION OF WING (W1)



SECTION X-X



SECTION Y-Y



ELEVATION OF WING (W2)



PROJECT NO. B-3884  
ONSLOW COUNTY  
 STATION: 14+89.75 -L-

SHEET 2 OF 3

STATE OF NORTH CAROLINA  
 DEPARTMENT OF TRANSPORTATION  
 RALEIGH

SUBSTRUCTURE  
 END BENT 2

DRAWN BY: T. A. HARRIS DATE: 2/21/03  
 CHECKED BY: K. MCCAULEY DATE: 3/28/03

REVISIONS						SHEET NO.
NO.	BY:	DATE:	NO.	BY:	DATE:	S-18
1			3			TOTAL SHEETS
2			4			23