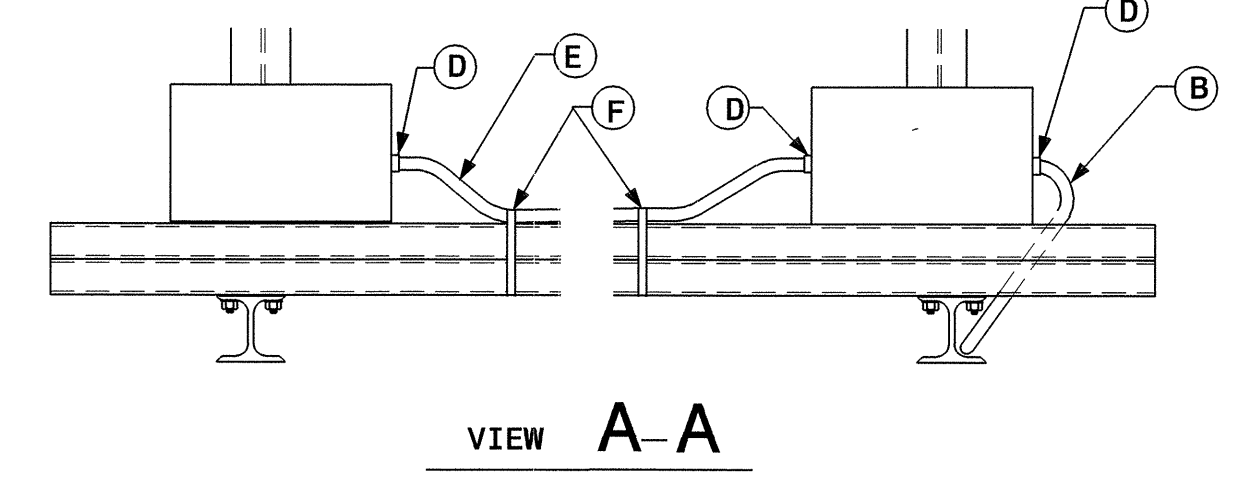
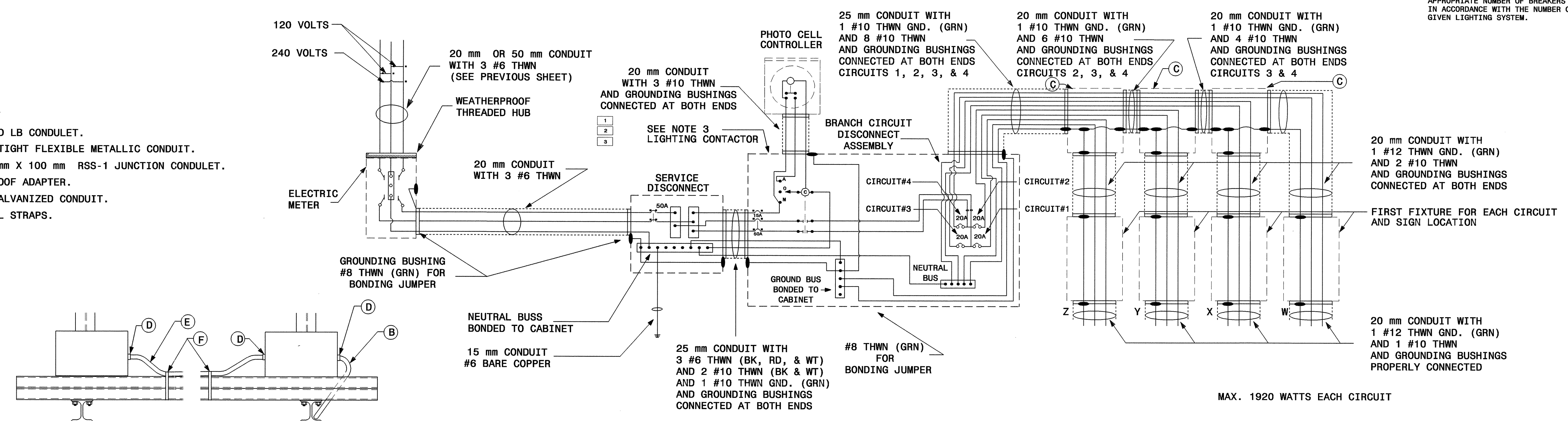




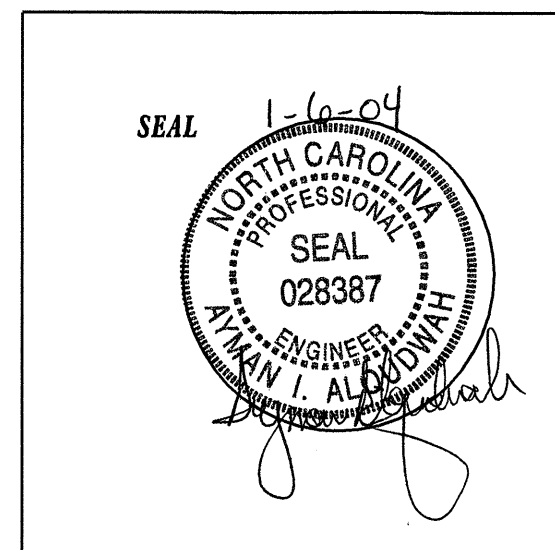
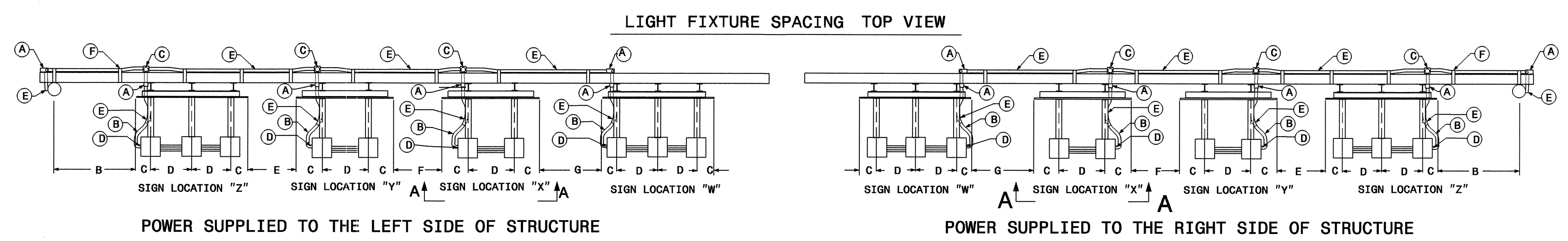
O.H. ASS'Y NO.	HIGH PRESSURE SODIUM LIGHTING SYSTEM																				MAXIMUM TOTAL WATTAGE	AMPERAGE								
	SIGN LOCATION "Z"				SIGN LOCATION "Y"				SIGN LOCATION "X"				SIGN LOCATION "W"																	
SIGN NO.	QTY. & WATT OF FIXTURES	TYPE	OFFSET (M)	B (M)	C (M)	D (M)	SIGN NO.	QTY. & WATT OF FIXTURES	TYPE	OFFSET (M)	E (M)	C (M)	D (M)	SIGN NO.	QTY. & WATT OF FIXTURES	TYPE	OFFSET (M)	F (M)	C (M)	D (M)	SIGN NO.	QTY. & WATT OF FIXTURES	TYPE	OFFSET (M)	G (M)	C (M)	D (M)			
A	2	2/150	SV	2.03	3.33	1.45	2.50	1	2/150	SV	2.03	0.15	2.20	2.50															3840	7

- NOTES:
- NAMEPLATE SHALL READ (1) "MAIN", (2) "LIGHTS", (3) "CONTROL".
 - CAULK ALL ENDS OF CONDUIT UNDERGROUND WITH A CAULKING COMPOUND APPROVED BY THE ENGINEER.
 - LABEL THREE POSITION SELECTOR SWITCH "MANUAL", "OFF", AND "AUTO".
 - STRAPS SHALL BE STAINLESS STEEL MATERIAL UNLESS OTHERWISE SPECIFIED.
 - THE CONTRACTOR SHALL USE HOLOPHANE SIGN-VUE II, OR AN APPROVED EQUIVALENT FIXTURE. THE CONTRACTOR MAY REQUEST APPROVAL TO USE A FIXTURE THAT IS EQUAL TO OR EXCEEDS SPECIFICATIONS FOR THE HOLOPHANE FIXTURES. THE POINT-TO-POINT LIGHTING ANALYSIS WILL BE REQUIRED PRIOR TO THE APPROVAL OF A FIXTURE OTHER THAN THE ONE SPECIFIED. SEE N.C.D.O.T. STANDARD SPECIFICATIONS FOR ROADS AND STRUCTURES.
 - THE CONTRACTOR SHALL VERIFY THE LENGTH OF UNDERGROUND RUN ("H" DISTANCE) AND RE CALCULATE WIRE SIZE (UF WIRE) ACCORDING TO THE NEC (NOT MORE THAN 3% VOLTAGE DROP) FOR EACH OVERHEAD LIGHTING SYSTEM. THESE MEASUREMENTS AND WIRE SIZES SHALL BE SUBMITTED WITH THE CATALOG CUTS FOR APPROVAL.
 - THE CONTRACTOR SHALL PROVIDE AND INSTALL LIGHTING SYSTEM FOR ALL SIGNS, INCLUDING FUTURE SIGNS.
 - ALL UNDERGROUND DUCT SHALL BE INSTALLED BY THE CONTRACTOR USING MINIMUM 50MM DIAMETER RIDGED GALVANIZED STEEL OR RIDGED PVC HEAVY WALL CONDUIT.
 - TEST SYSTEM GROUNDING USING AN APPROVED METHOD. SYSTEM SHOULD MEASURE LESS THAN TWENTY (20) OHMS.
 - ALL ASSEMBLIES AND COMPONENTS SHALL BE UL APPROVED. INSTALLATION SHALL MEET NEC REQUIREMENTS AND ALL APPLICABLE LOCAL AND STATE CODES.
 - THE POSITION OF THE CIRCUIT NO. AND BREAKER NO. IS NOT THE SAME IN THE PANEL.
 - EACH SIGN SHALL HAVE ITS OWN CIRCUIT(S) MAX. 1920 WATTS PER CIRCUIT.
 - THE CONTRACTOR SHALL BE REQUIRED TO FURNISH ONLY THE APPROPRIATE NUMBER OF BREAKERS AND WIRE THAT IS REQUIRED IN ACCORDANCE WITH THE NUMBER OF CIRCUITS LISTED FOR A GIVEN LIGHTING SYSTEM.

- LEGEND
- (A) 20 mm STANDARD LB CONDULET.
 - (B) 20 mm LIQUID TIGHT FLEXIBLE METALLIC CONDUIT.
 - (C) 115 mm X 115 mm X 100 mm RSS-1 JUNCTION CONDULET.
 - (D) 20 mm WATERPROOF ADAPTER.
 - (E) 20 mm RIGID GALVANIZED CONDUIT.
 - (F) STAINLESS STEEL STRAPS.



WIRING SCHEMATIC



STANDARD LIGHTING SYSTEM FOR OVERHEAD SIGN ASSEMBLIES (SHEET 2 OF 2)				
SCALE	NONE	N. C. DEPARTMENT OF TRANSPORTATION	REVISIONS	
DATE	01-06-04			
SIGNING TECHNICIAN		DIVISION OF HIGHWAYS		
SIGNING ELECTRICAL ENG	M. HOYOUS		TRAFFIC ENGINEERING BRANCH	
SIGNING PROJECT ENG	A. ALQUDWAH			