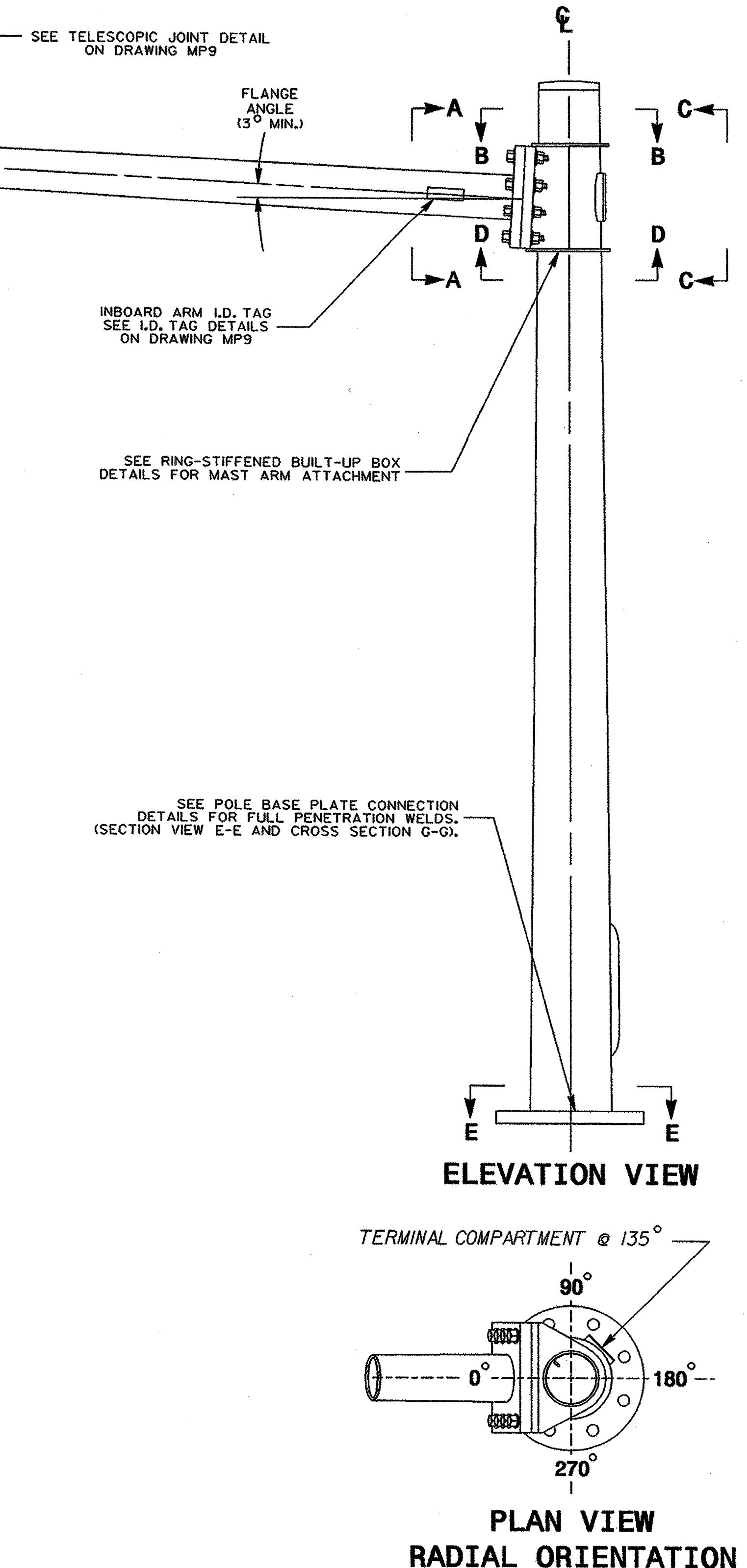
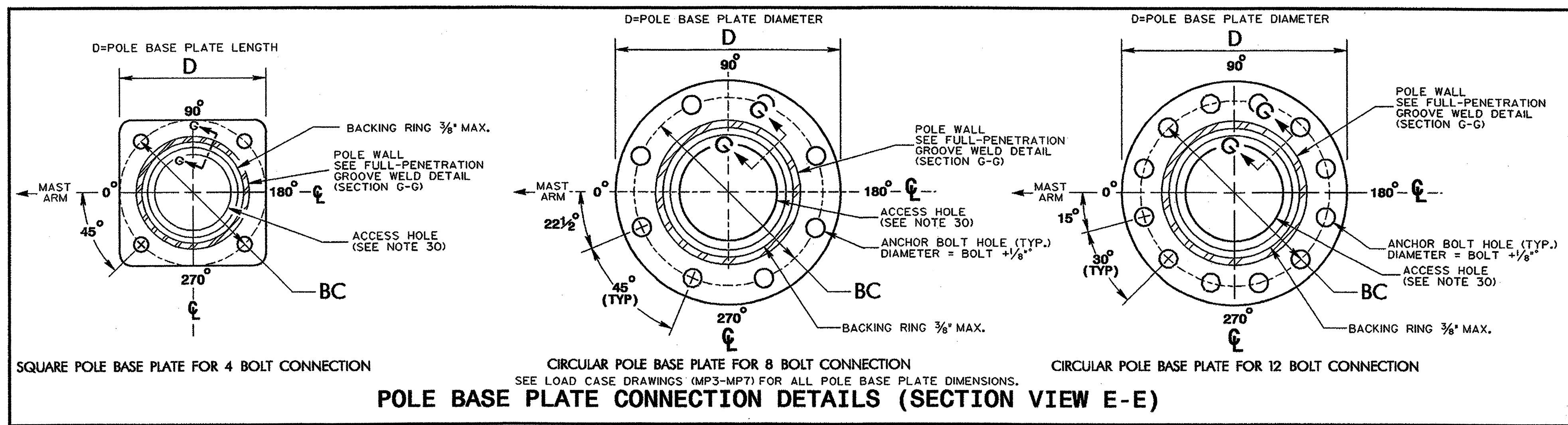
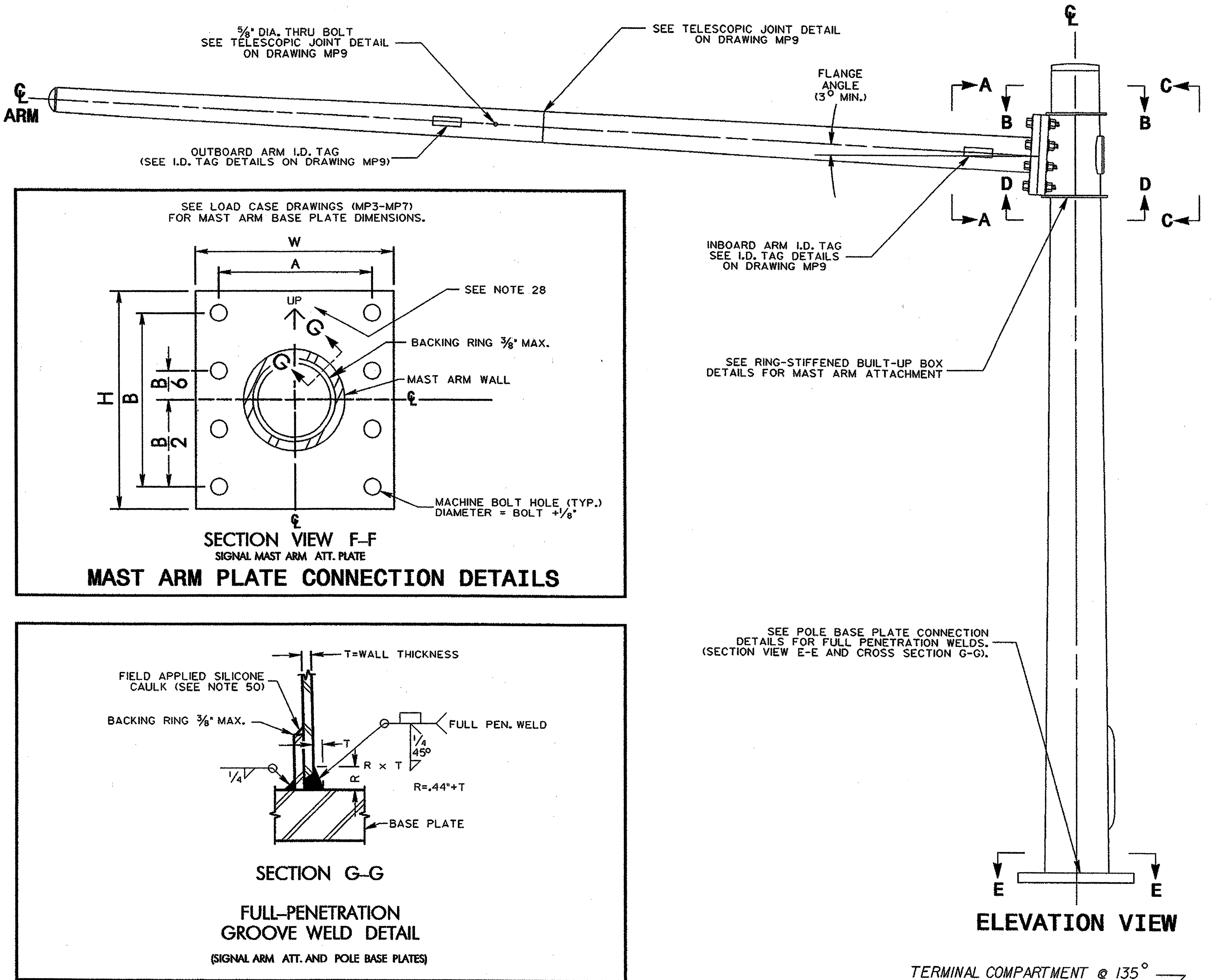
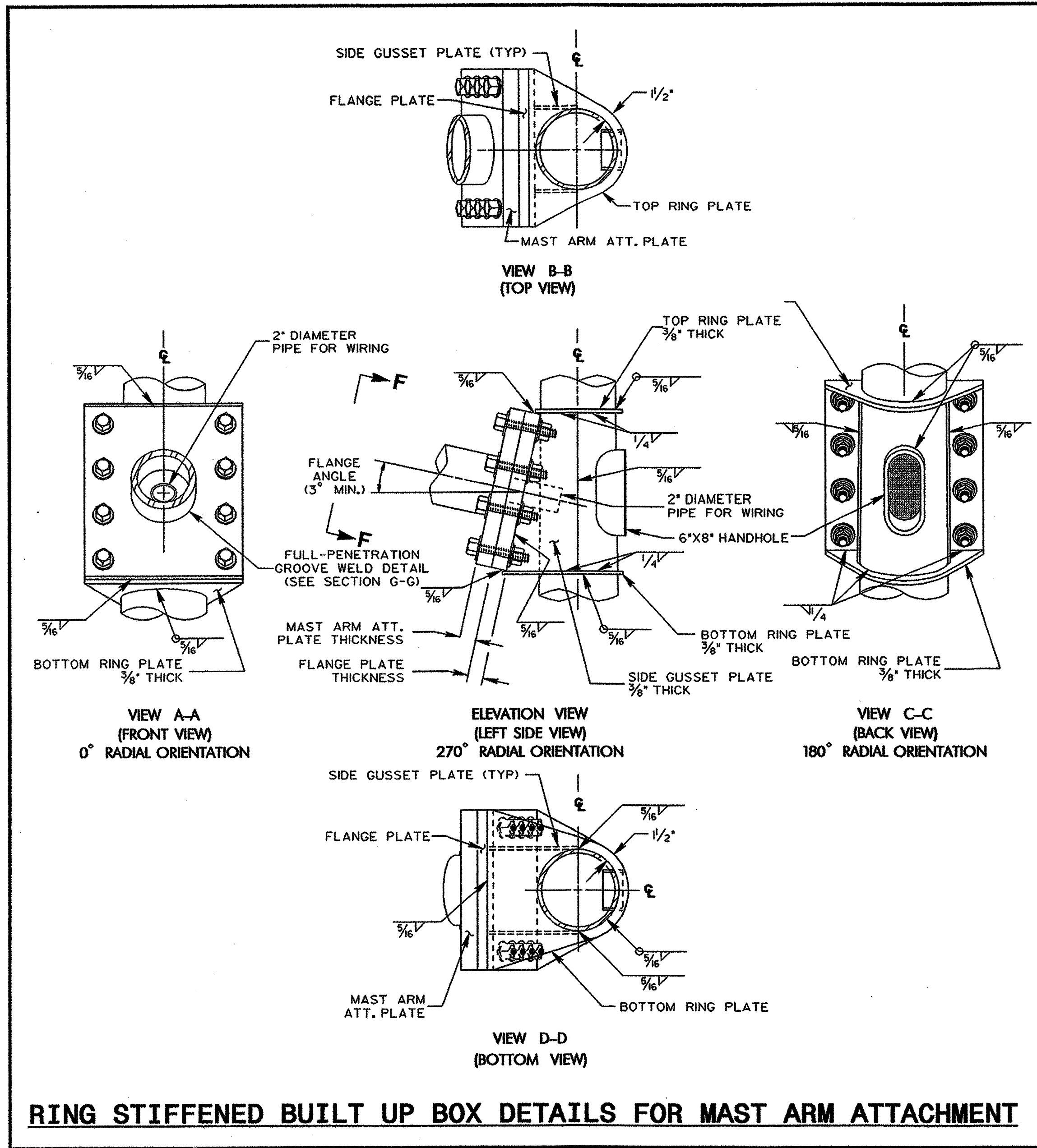


# POLE AND MAST ARM FABRICATION DETAILS

PROJECT REFERENCE NO. U-2734  
SHEET NO. Sig. 73  
dwg. MP8



METAL POLES WITH MAST ARMS

	<b>METAL POLE AND MAST ARM FABRICATION DETAILS</b>		
	PLAN DATE: APRIL 2003 PREPARED BY: C.F. ANDREWS	REVIEWED BY: D.C. SARKAR REVIEWED BY: R.E. MULLINAX	
222 N. McDowell St., Raleigh, NC 27602		REVISIONS:	SIGNATURE: <i>D. Sarkar</i> DATE: 6.3.03
		INIT. DATE	SIG. INVENTORY NO.

03-JUN-2003 09:51  
W:\#8001\as-dm11\kgr\groups\andrews 2003\_Mast\_Arm\mp8.dgn  
C:\Program Files\Autodesk\AutoCAD 2003\acad.mpl