

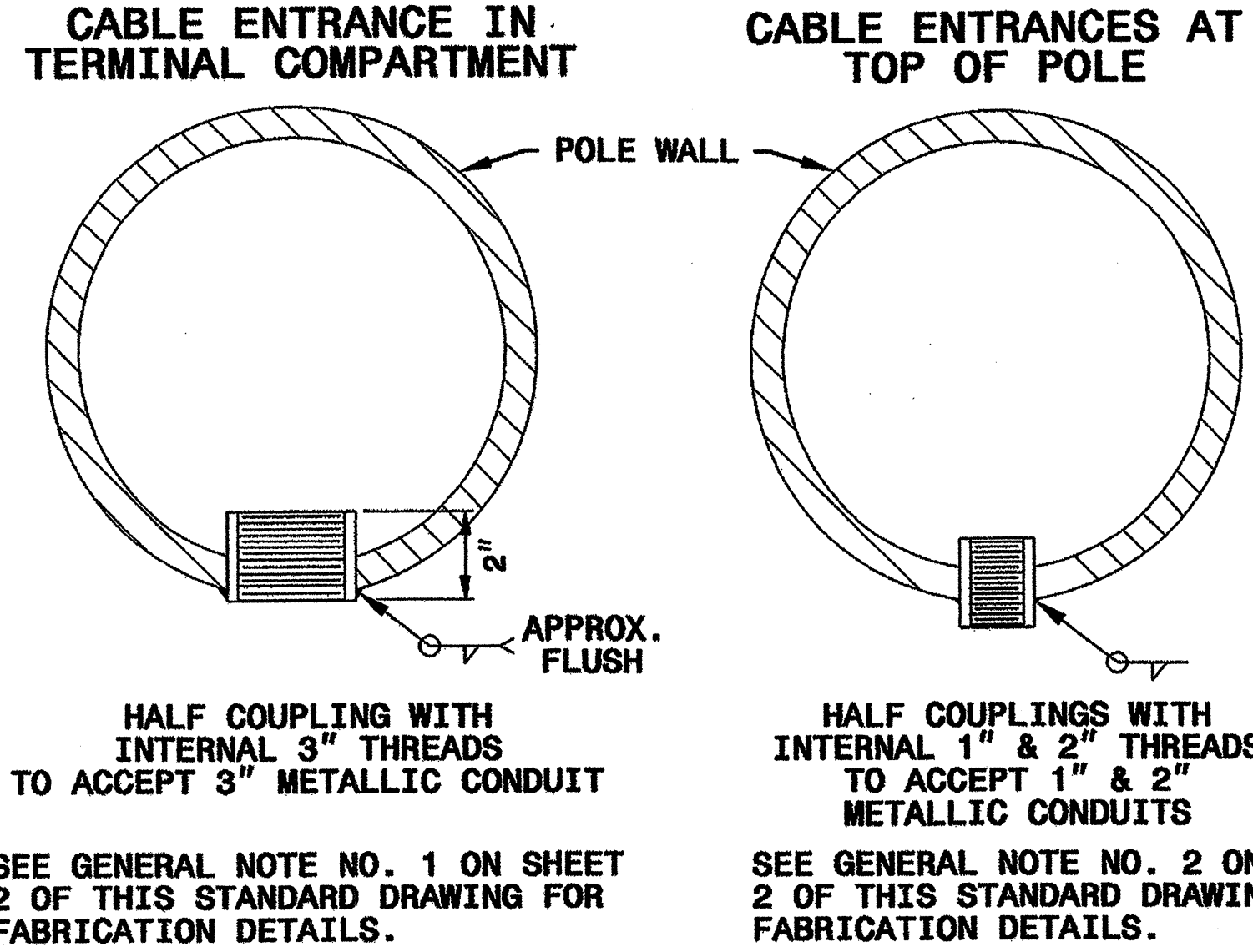
STATE OF NORTH CAROLINA  
 DEPT. OF TRANSPORTATION  
 DIVISION OF HIGHWAYS  
 RALEIGH, N.C.

9-03

ENGLISH STANDARD DRAWING FOR  
 METAL POLES  
 MISCELLANEOUS DETAILS

SHEET 3 OF 3  
1740.01

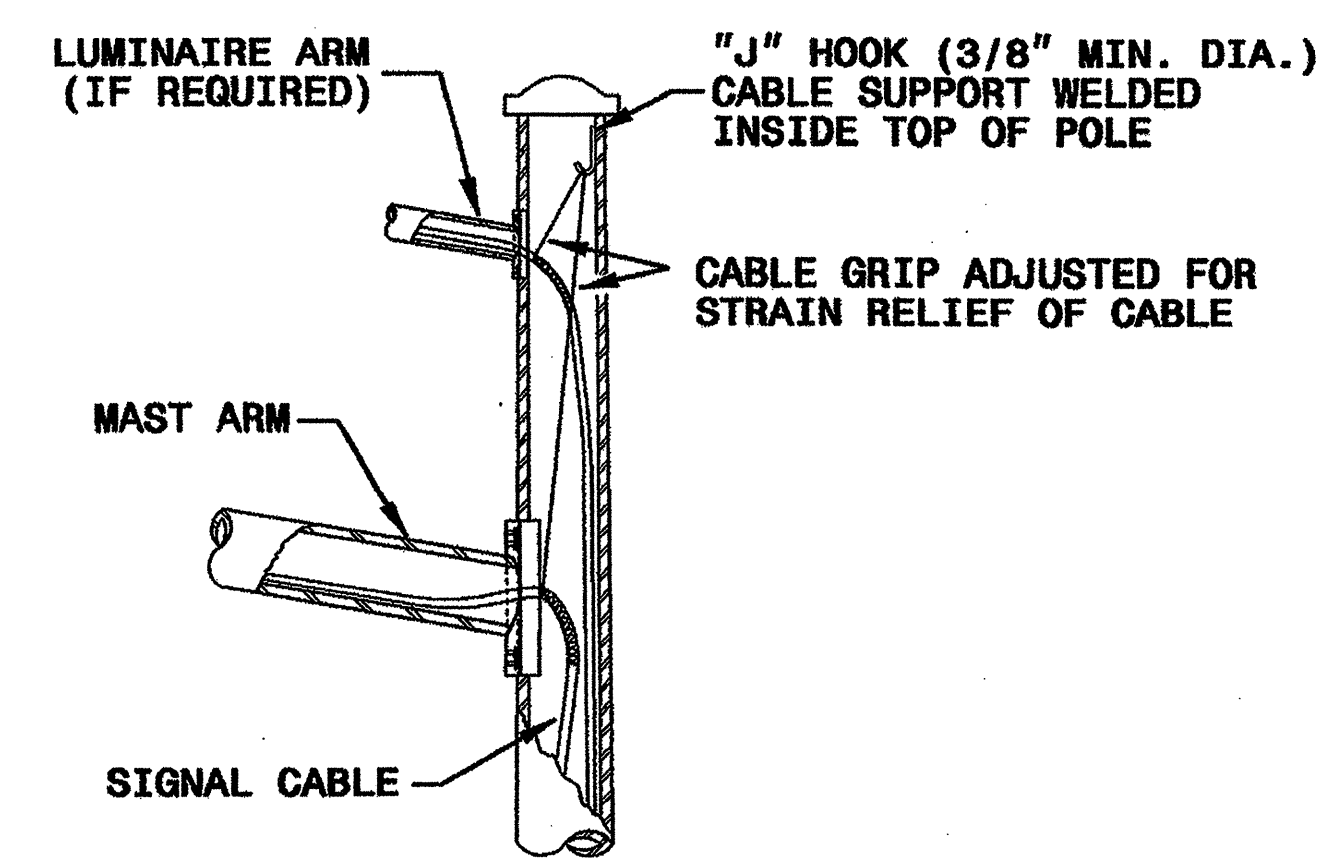
**MOUNTING POINT DETAIL**



SEE GENERAL NOTE NO. 1 ON SHEET 2 OF THIS STANDARD DRAWING FOR FABRICATION DETAILS.

SEE GENERAL NOTE NO. 2 ON SHEET 2 OF THIS STANDARD DRAWING FOR FABRICATION DETAILS.

**CABLE STRAIN RELIEF**



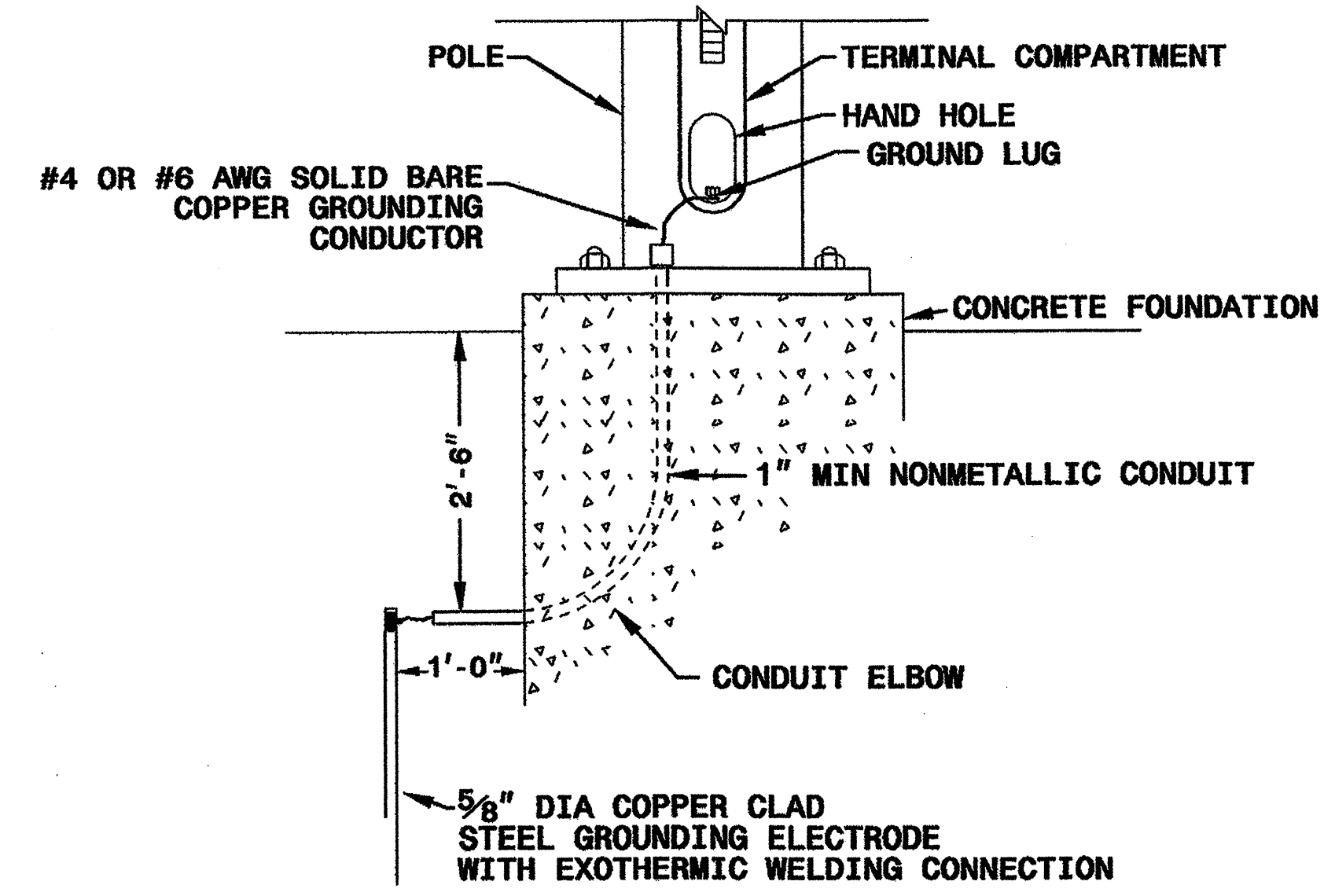
STATE OF NORTH CAROLINA  
 DEPT. OF TRANSPORTATION  
 DIVISION OF HIGHWAYS  
 RALEIGH, N.C.

9-03

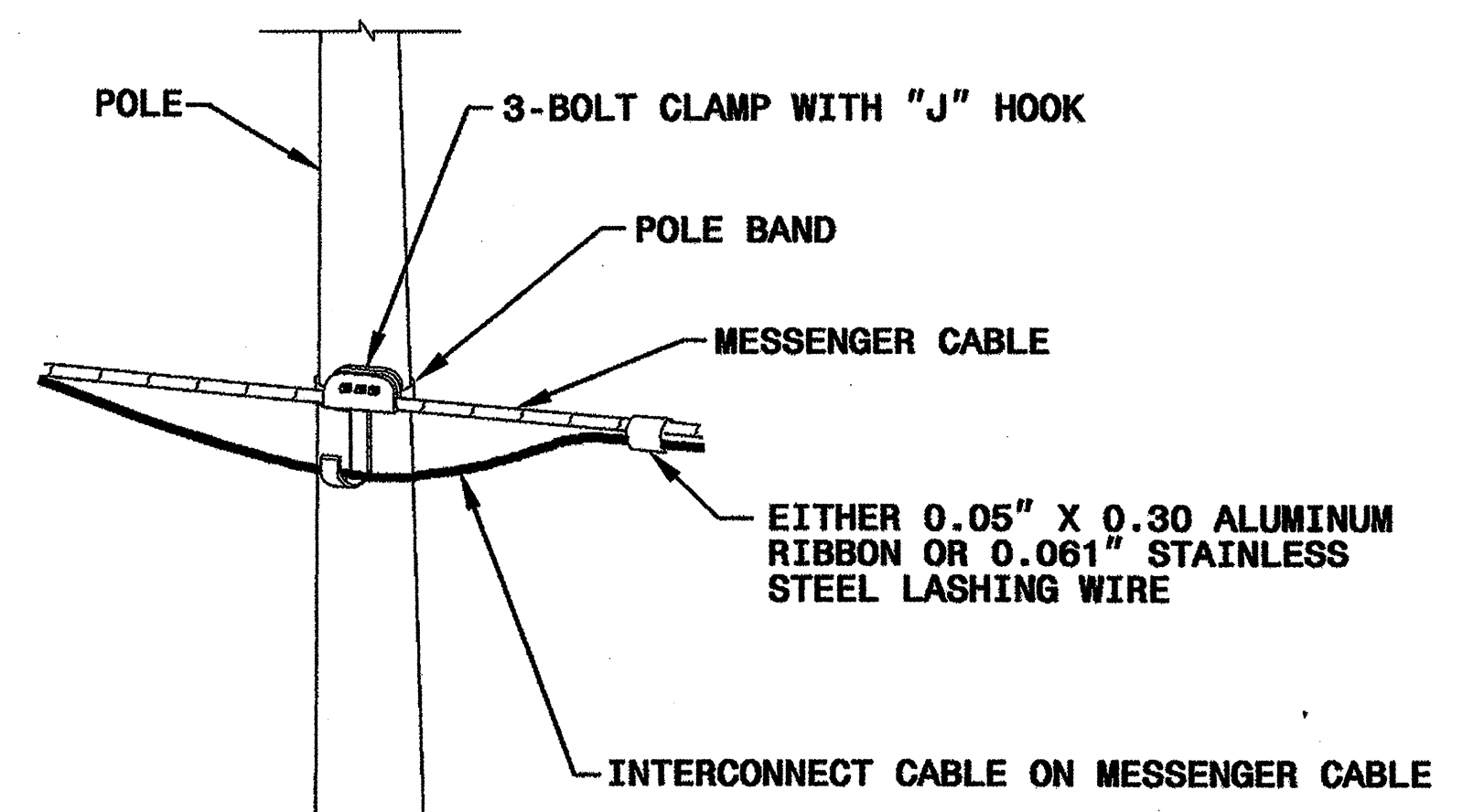
ENGLISH STANDARD DRAWING FOR  
 METAL POLES  
 MISCELLANEOUS DETAILS

SHEET 3 OF 3  
1740.01

**METAL POLE GROUNDING DETAIL**



**ATTACHMENT OF CABLE TO INTERMEDIATE METAL POLE**



16 SEP 2005 14:27  
 W:\p00\proj\11\std\1740\1740std.dwg  
 PLO\alexander

Structural Engineer  D. Sankar SIGNATURE	Electrical Engineer  Milton Dean SIGNATURE
9/19/2003	9/22/03
<b>Standard Drawings</b> Traffic Management and Signal Systems Unit 122 N. McDowell St., Raleigh, NC 27603	
<b>See Plate for Title</b>	
Original: 2002 Standards	