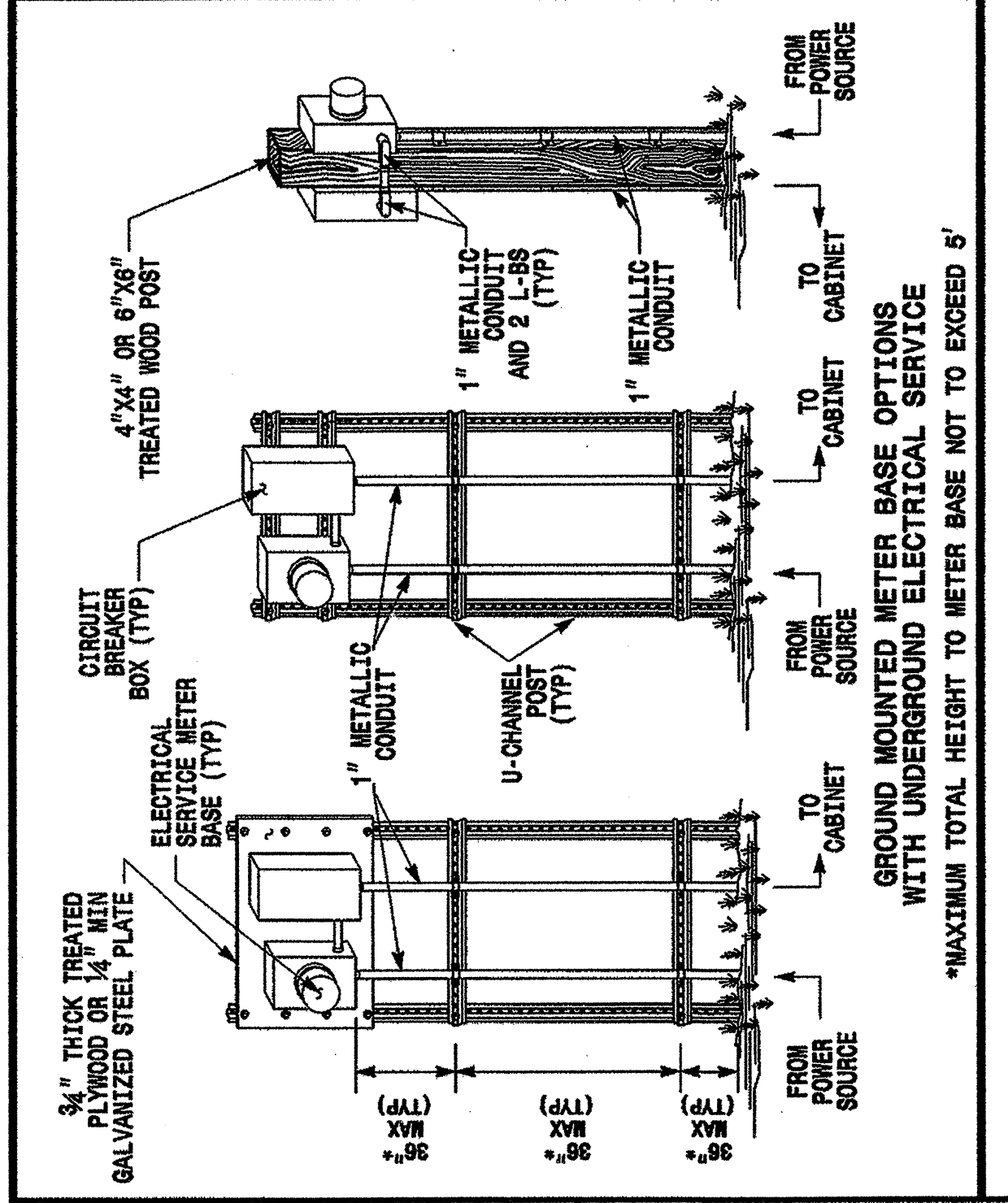
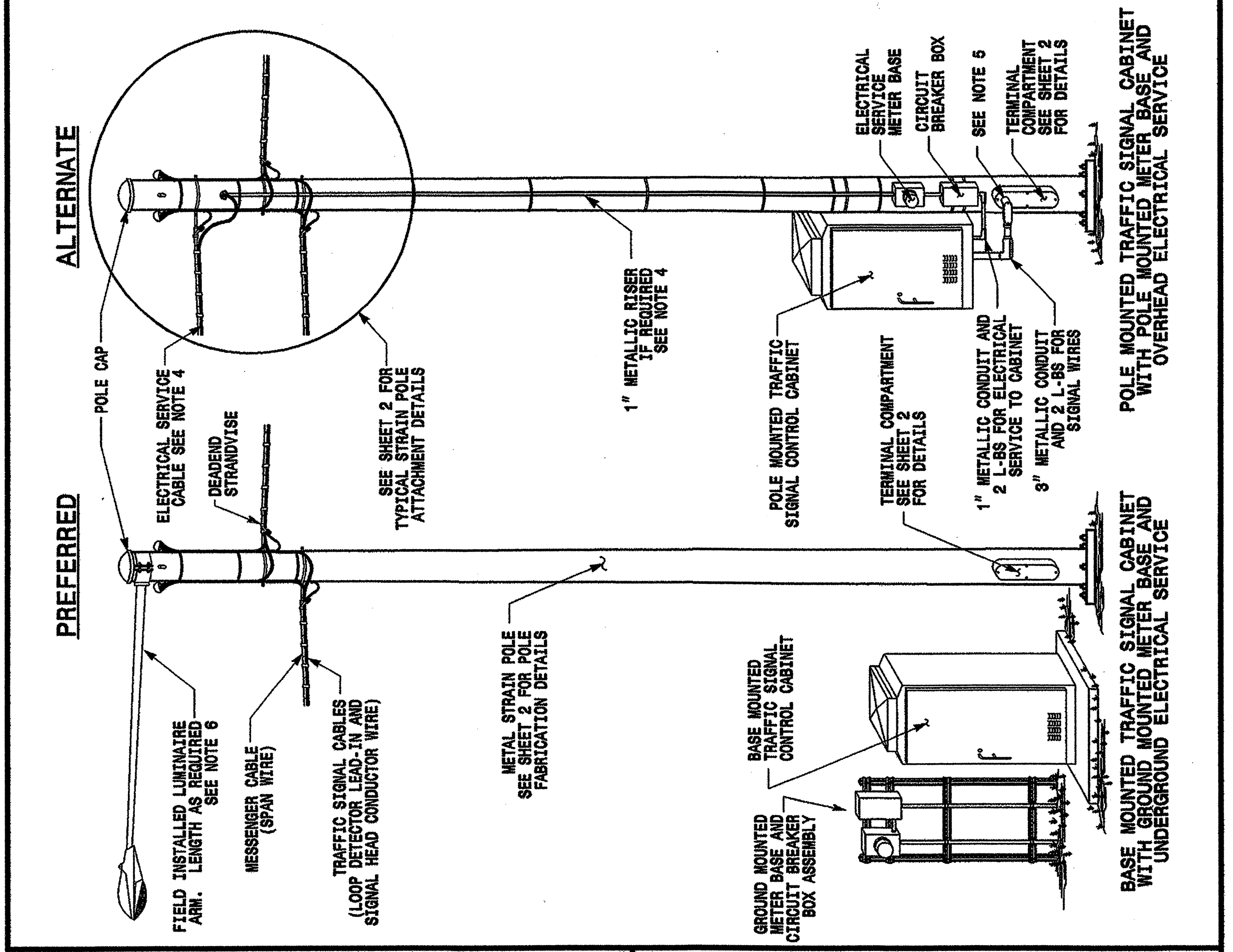


STATE OF NORTH CAROLINA DEPT. OF TRANSPORTATION DIVISION OF HIGHWAYS RALEIGH, N.C.
METAL POLES ELECTRICAL SERVICE AND SIGNAL CABINET MOUNTING OPTIONS
 ENGLISH STANDARD DRAWING FOR
 SHEET 1 OF 3 **1740.01**



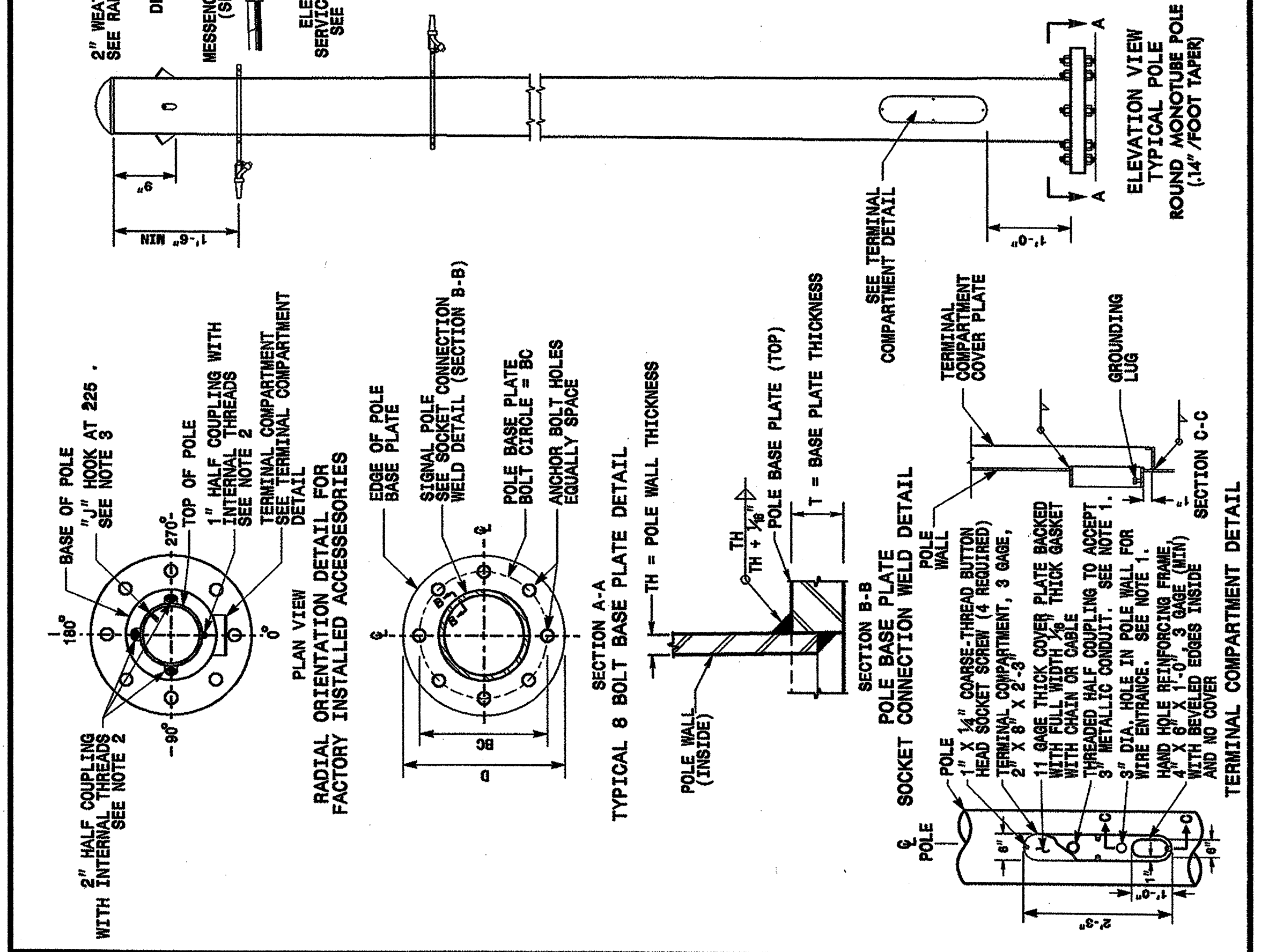
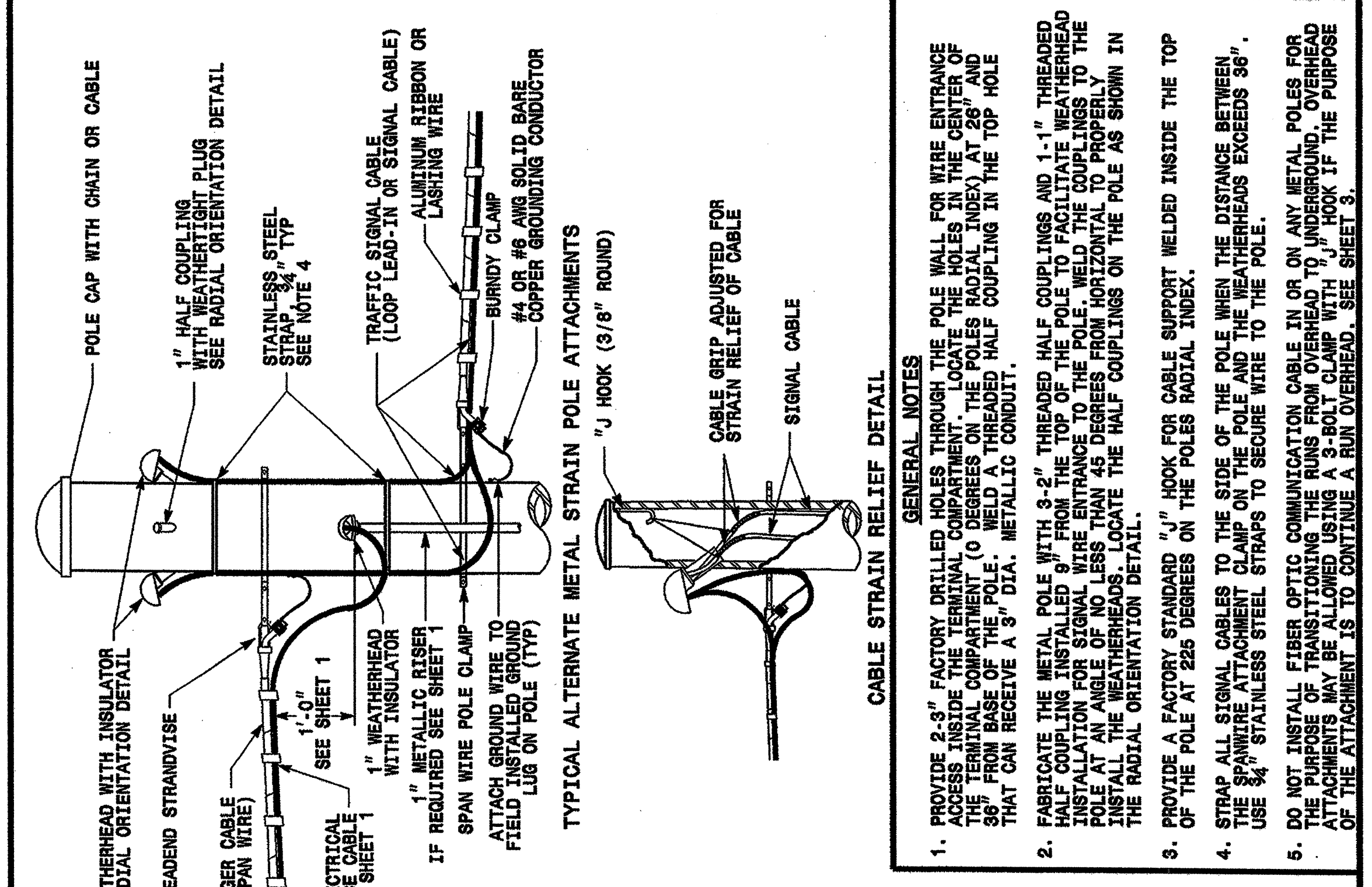
GENERAL NOTES

- WHEN TRAFFIC SIGNALS ARE INSTALLED USING METAL SIGNAL SUPPORTS:
 - BASE MOUNTED CABINETS ARE THE PREFERRED CABINET OPTION
 - ROUTE POWER SOURCE UNDERGROUND AND USE GROUND MOUNTING OPTIONS SHOWN ABOVE TO INSTALL METER BASE AND CIRCUIT BREAKER BOX IF POSSIBLE.
- LOCATE THE METER BASE ASSEMBLY NEAR THE SIGNAL CABINET IN A MANNER THAT WILL ALLOW EASY ACCESS TO THE CIRCUIT BREAKER BOX.
- INSTALL METER BASE ASSEMBLIES AS SHOWN ABOVE. ENSURE 1" METALLIC CONDUITS ARE PROPERLY SECURED BETWEEN THE METER BASE ASSEMBLIES AND THE GROUND TO MINIMIZE DRIVAGE POTENTIAL REFER TO ROADWAY STANDARD DRAWING 1751.02 FOR ELECTRICAL SERVICE DETAILS.
- INSTALL ELECTRICAL SERVICE ENTRANCE CONDUCTOR AS SHOWN WHEN UNDERGROUND SOURCE IS NOT AN OPTION. METER BASE AND CIRCUIT BREAKER BOX MAY BE INSTALLED ON THE POLE WHEN POLE MOUNTED CABINETS ARE REQUIRED FOR THE INSTALLATION. SEE SHEET 2 FOR ADDITIONAL INSTALLATION DETAILS.
- FOR POLE MOUNTED CABINETS USE A FACTORY DRILLED HOLE IN THE TERMINAL COMPARTMENT TO PROVIDE ACCESS FOR SIGNAL WIRES ENTERING THE POLE FROM THE CABINET. FIELD DRILLED HOLES ARE ACCEPTABLE ONLY IF APPROVED BY THE ENGINEER.
- SEE ROADWAY STANDARD DRAWING 1408.01 (LIGHT STANDARD LUMINAIRES) FOR LUMINAIRE INSTALLATIONS.

*MAXIMUM TOTAL HEIGHT TO METER BASE NOT TO EXCEED 5'

STATE OF NORTH CAROLINA DEPT. OF TRANSPORTATION DIVISION OF HIGHWAYS RALEIGH, N.C.
METAL POLES ELECTRICAL SERVICE AND SIGNAL CABINET MOUNTING OPTIONS
 ENGLISH STANDARD DRAWING FOR
 SHEET 1 OF 3 **1740.01**

STATE OF NORTH CAROLINA DEPT. OF TRANSPORTATION DIVISION OF HIGHWAYS RALEIGH, N.C.
METAL POLES FABRICATION AND ATTACHMENT DETAILS
 ENGLISH STANDARD DRAWING FOR
 SHEET 2 OF 3 **1740.01**



STATE OF NORTH CAROLINA DEPT. OF TRANSPORTATION DIVISION OF HIGHWAYS RALEIGH, N.C.
METAL POLES FABRICATION AND ATTACHMENT DETAILS
 ENGLISH STANDARD DRAWING FOR
 SHEET 2 OF 3 **1740.01**

GENERAL NOTES

- PROVIDE 2-3" FACTORY DRILLED HOLES THROUGH THE POLE WALL FOR WIRE ENTRANCE ACCESS INSIDE THE TERMINAL COMPARTMENT. LOCATE THE HOLES IN THE CENTER OF THE TERMINAL COMPARTMENT (0 DEGREES ON THE POLES RADIAL INDEX) AT 28" AND 36" FROM BASE OF THE POLE. WELD A THREADED HALF COUPLING IN THE TOP HOLE THAT CAN RECEIVE A 3" DIA. METALLIC CONDUIT.
- FABRICATE THE METAL POLE WITH 3-2" THREADED HALF COUPLINGS AND 1-1" THREADED HALF COUPLING INSTALLED 9" FROM THE TOP OF THE POLE TO FACILITATE WEATHERHEAD INSTALLATION FOR SIGNAL WIRE ENTRANCE TO THE POLE. WELD THE COUPLINGS TO THE POLE AT THE WELD LINE. NO LESS THAN 45 DEGREES FROM THE HORIZONTAL TO PROVIDE THE RADIAL ORIENTATION DETAIL.
- PROVIDE A FACTORY STANDARD "J" HOOK FOR CABLE SUPPORT WELDED INSIDE THE TOP OF THE POLE AT 225 DEGREES ON THE POLES RADIAL INDEX.
- STRAP ALL SIGNAL CABLES TO THE SIDE OF THE POLE WHEN THE DISTANCE BETWEEN THE SPANNER ATTACHMENT CLAMP ON THE POLE AND THE WEATHERHEADS EXCEEDS 36". USE 3/4" STAINLESS STEEL STRAPS TO SECURE WIRE TO THE POLE.
- DO NOT INSTALL FIBER OPTIC COMMUNICATION CABLE IN OR ON ANY METAL POLES FOR THE PURPOSE OF TRAFFIC SIGNALING THE WIRE FROM OVERHEAD TO UNDERGROUND. OVERHEAD ATTACHMENTS MAY BE ALLOWED USING A 3-BOLT CLAMP WITH 7/8" HOOK IF THE PURPOSE OF THE ATTACHMENT IS TO CONTINUE A RUN OVERHEAD. SEE SHEET 3.

Structural Engineer: **North Carolina Professional Seal 028094**
 Electrical Engineer: **North Carolina Professional Seal 16286**

D. Sawyer 9-23-03
Milton J. Dean 9-24-03

Standard Drawings
 Traffic Management and Signal Systems Unit
 122 N. McDowell St., Raleigh, NC 27603

See Plate for Title

Original: 2002 Standards

21-SEP-2003 11:28
 W:\P\02003\sep-03\roadway\stdr-dwg\sigeng\174001.dwg on sheets\174001.fir.st.dwg
 cmdr\evs