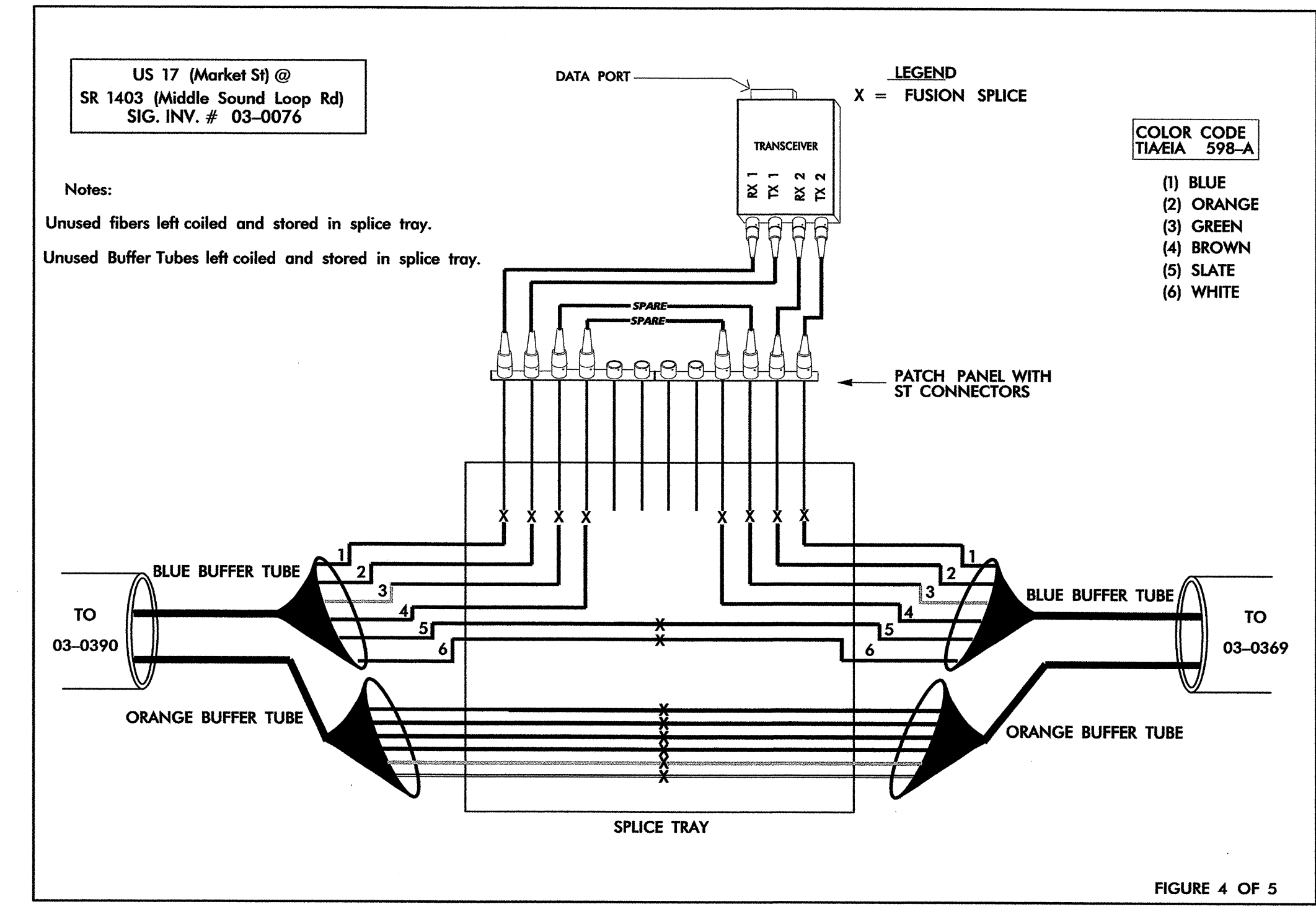
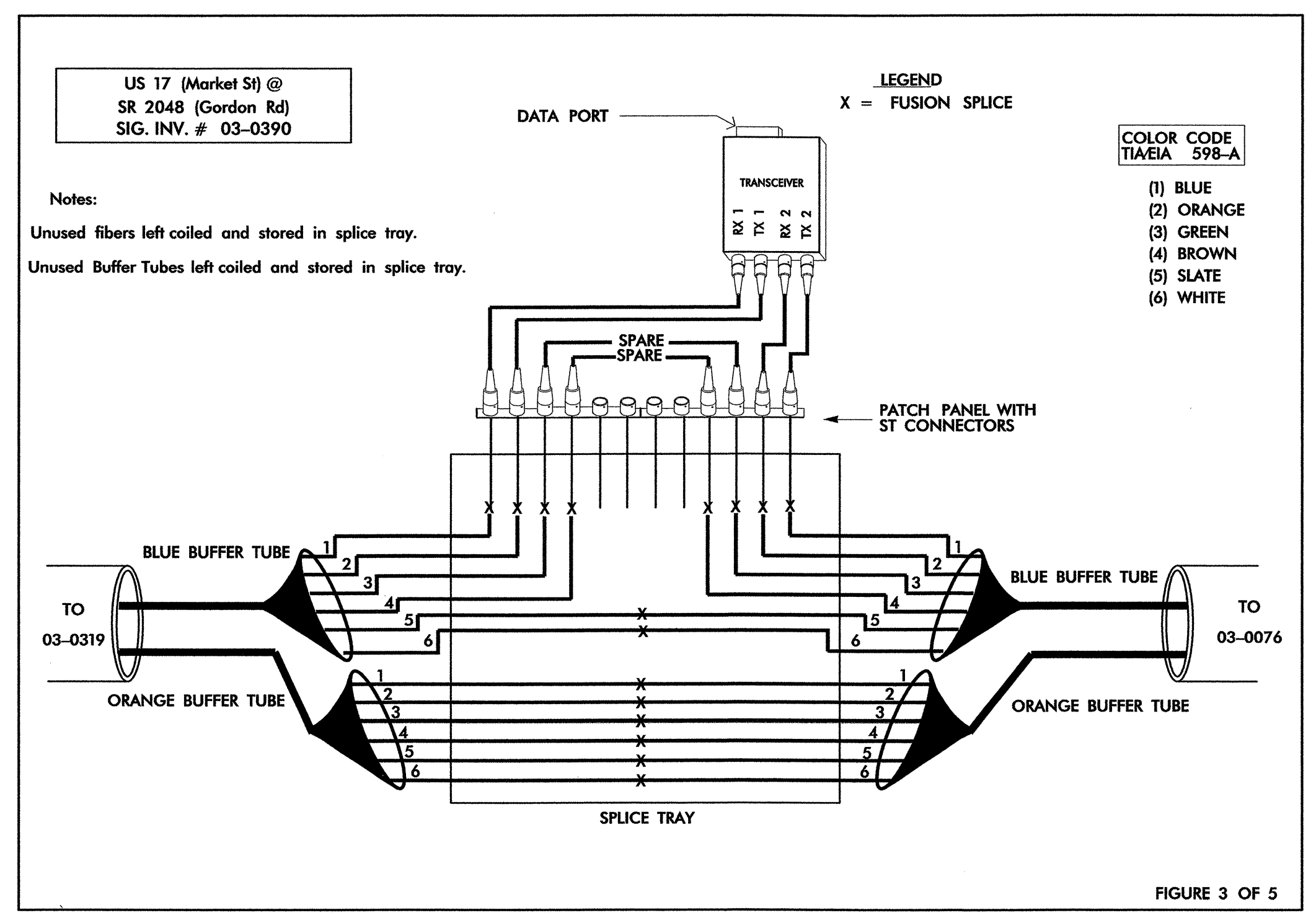
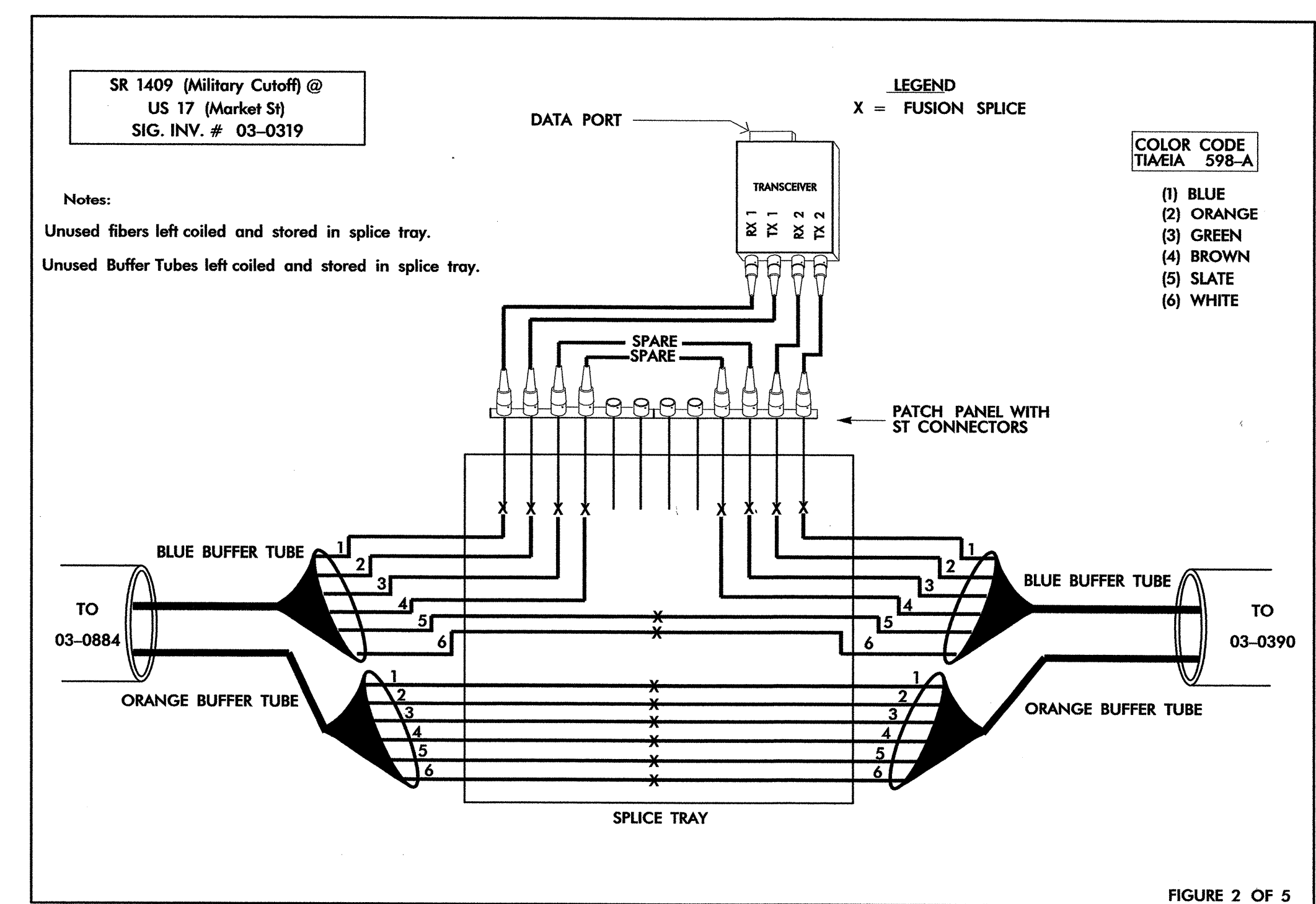
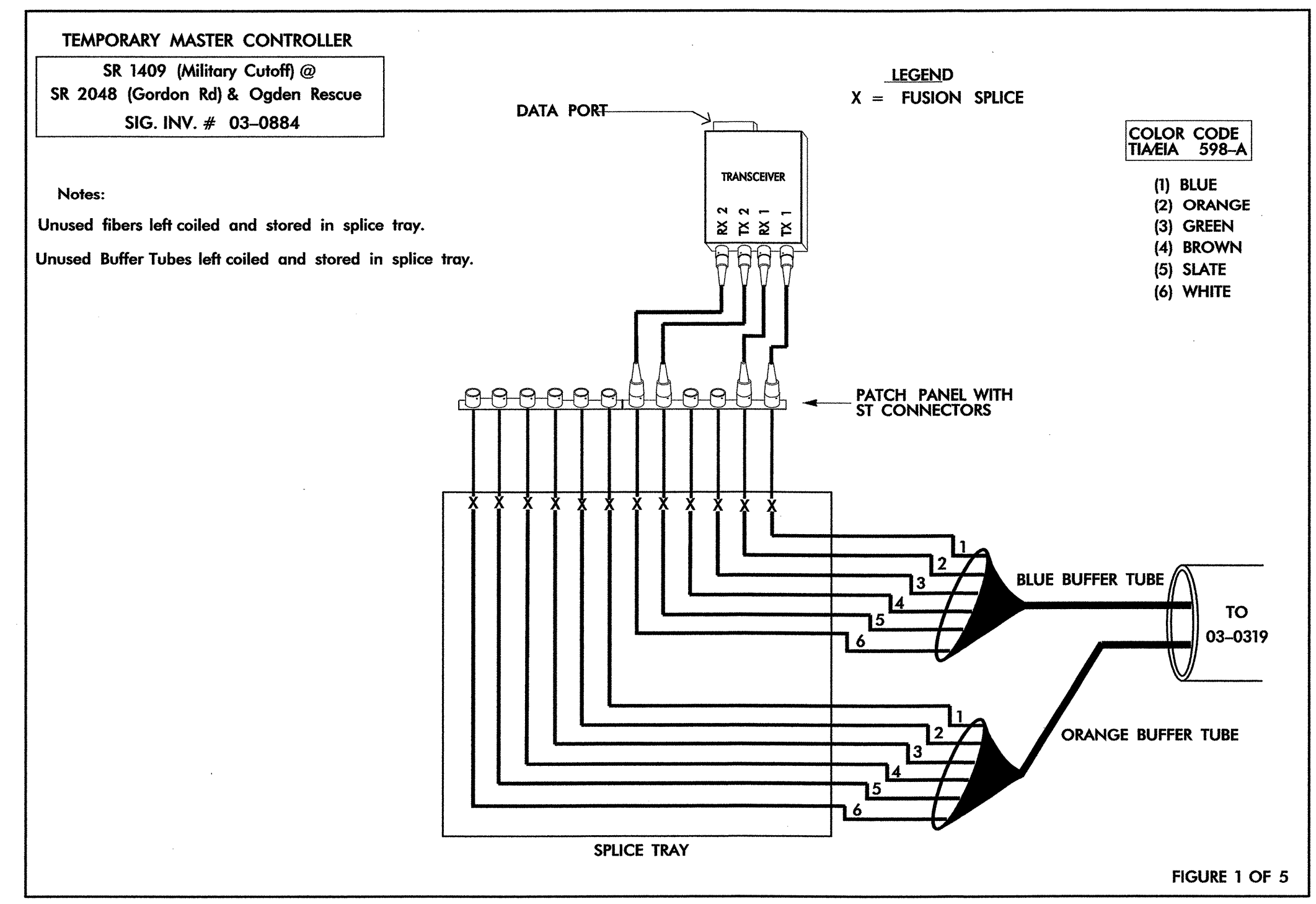


# FIBER OPTIC CABLE



## INSTALL "SELF-HEALING RING" TYPE TRANSCEIVERS

|  |   |                                   |  |
|--|---|-----------------------------------|--|
| <p>Prepared for:</p> <p>122 N. McDowell St., Raleigh, NC 27603</p> | <p><b>SPLICE PLAN</b><br/> <b>ICT 2</b></p>     |                                   | <p>SEAL</p>  |
|  | <p>DIVISION 3 NEW HANOVER COUNTY WILMINGTON</p> |                                   |  |
|  | <p>PLAN DATE: AUG 2003</p>                      | <p>REVIEWED BY:</p>               |  |
|  | <p>PREPARED BY: J.P. CARLON</p>                 | <p>REVIEWED BY: S. S. ASEFNIA</p> |  |
| <p>SCALE</p>   | <p>REVISIONS</p>                                | <p>INIT. DATE</p>                 | <p>SIGNATURE: <i>S. S. Asefnia</i> DATE: 1/15/04</p> |
| <p>CADD FILE NAME</p>  |   |                                   |  |