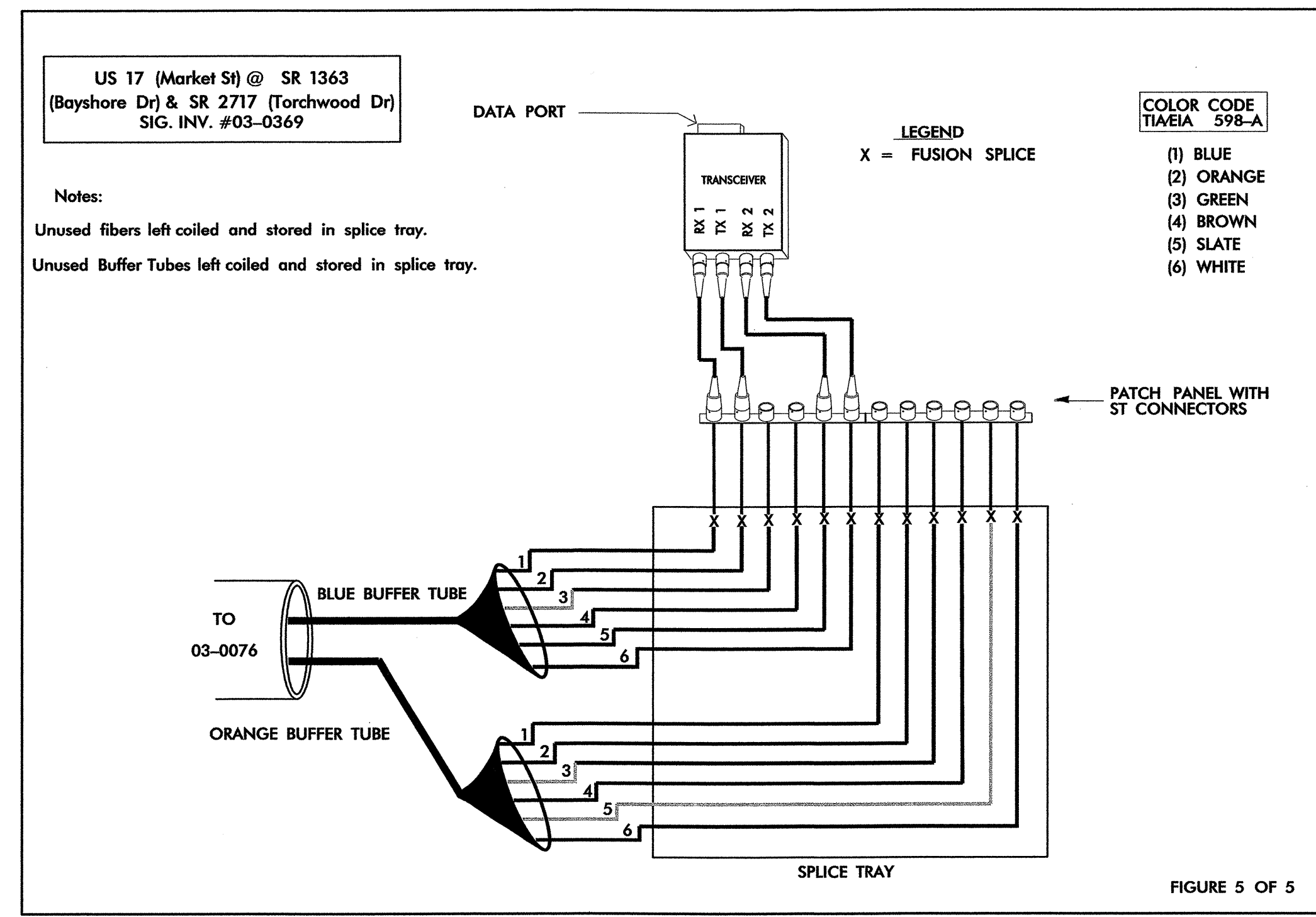


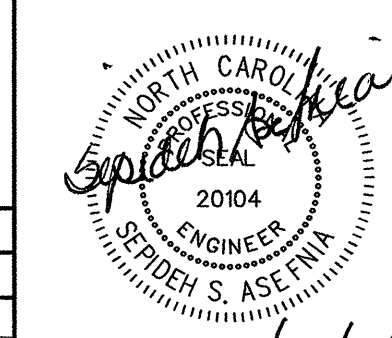



FIBER OPTIC CABLE



INSTALL "SELF-HEALING RING" TYPE TRANSCEIVERS

<p>Prepared for:</p>  <p>122 N. McDowell St., Raleigh, NC 27603</p> 	<p>SPLICE PLAN ICT 2</p>		<p>SEAL</p>  <p>20104</p>								
	<p>DIVISION 3 NEW HANOVER COUNTY WILMINGTON</p>		<p>SIGNATURE: <i>S. S. Asefnia</i> DATE: 1/15/04</p>								
	<p>PLAN DATE: AUG 2003</p>	<p>REVIEWED BY: S. S. ASEFNIA</p>									
	<p>PREPARED BY: J. P. CARLON</p>	<p>REVIEWED BY: S. S. ASEFNIA</p>									
<p>SCALE: 0</p> 	<table border="1" style="width: 100%; border-collapse: collapse;"> <thead> <tr> <th>REVISIONS</th> <th>INIT.</th> <th>DATE</th> </tr> </thead> <tbody> <tr> <td> </td> <td> </td> <td> </td> </tr> <tr> <td> </td> <td> </td> <td> </td> </tr> </tbody> </table>	REVISIONS	INIT.	DATE							<p>CADD FILE NAME</p>
REVISIONS	INIT.	DATE									