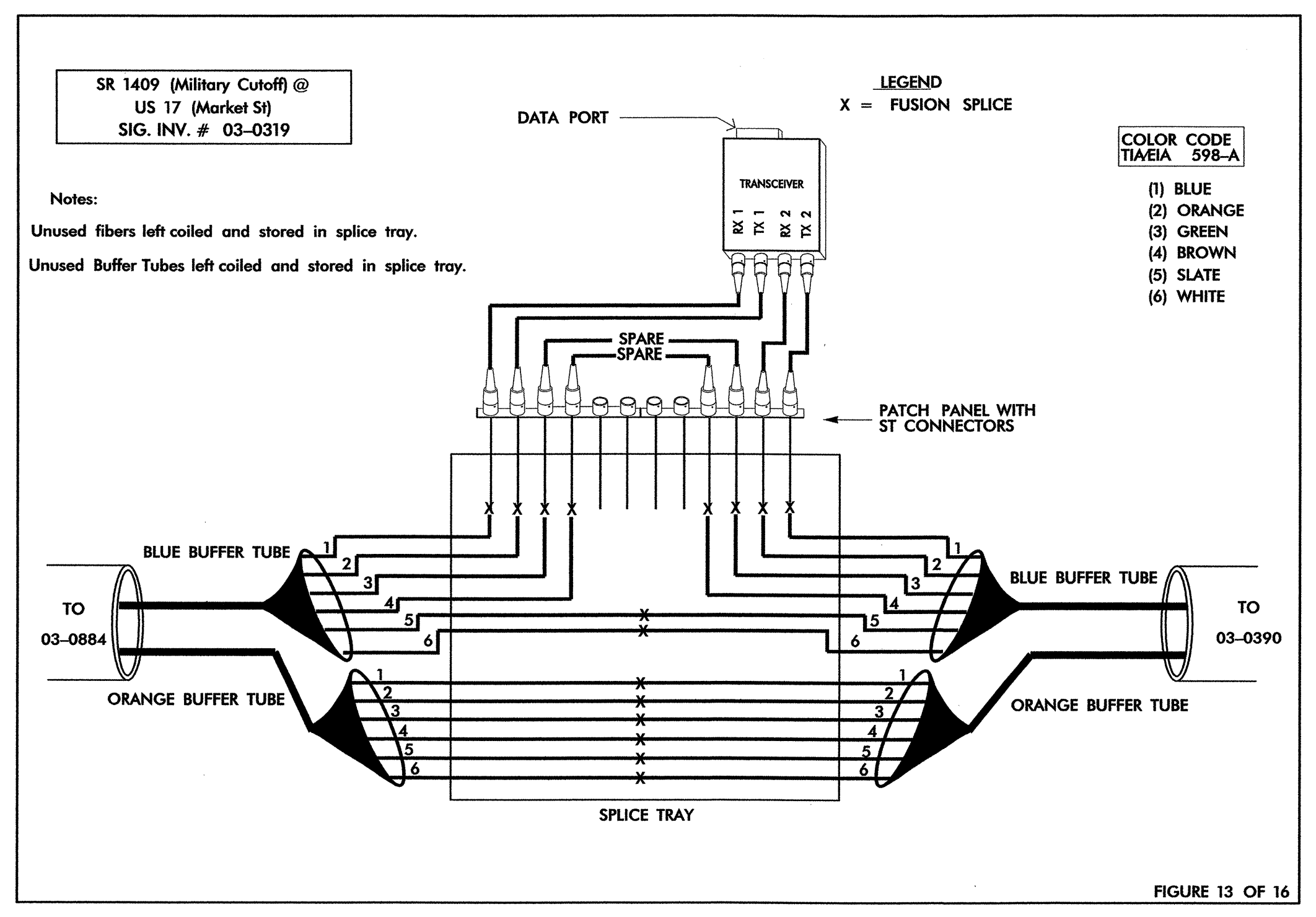
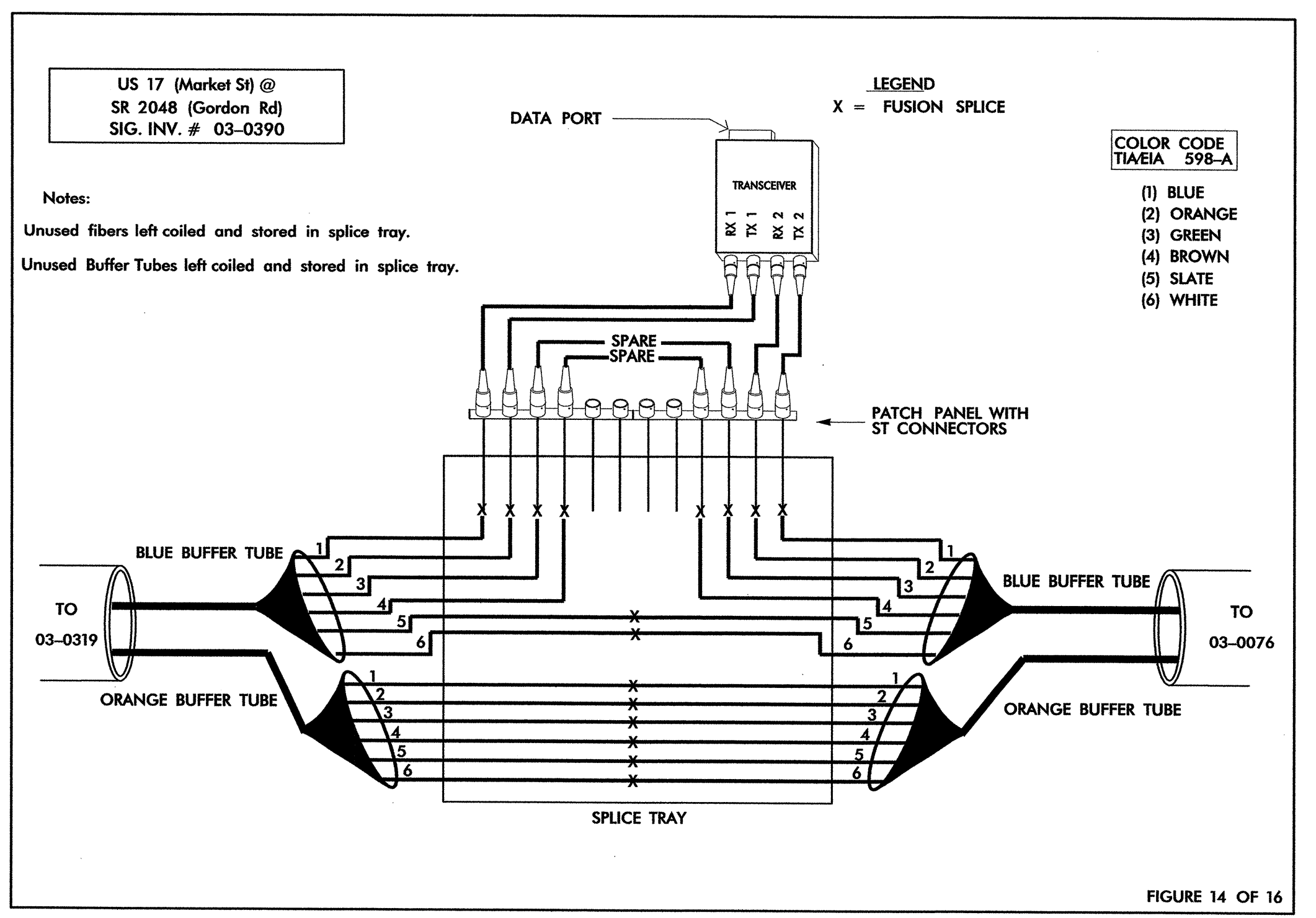


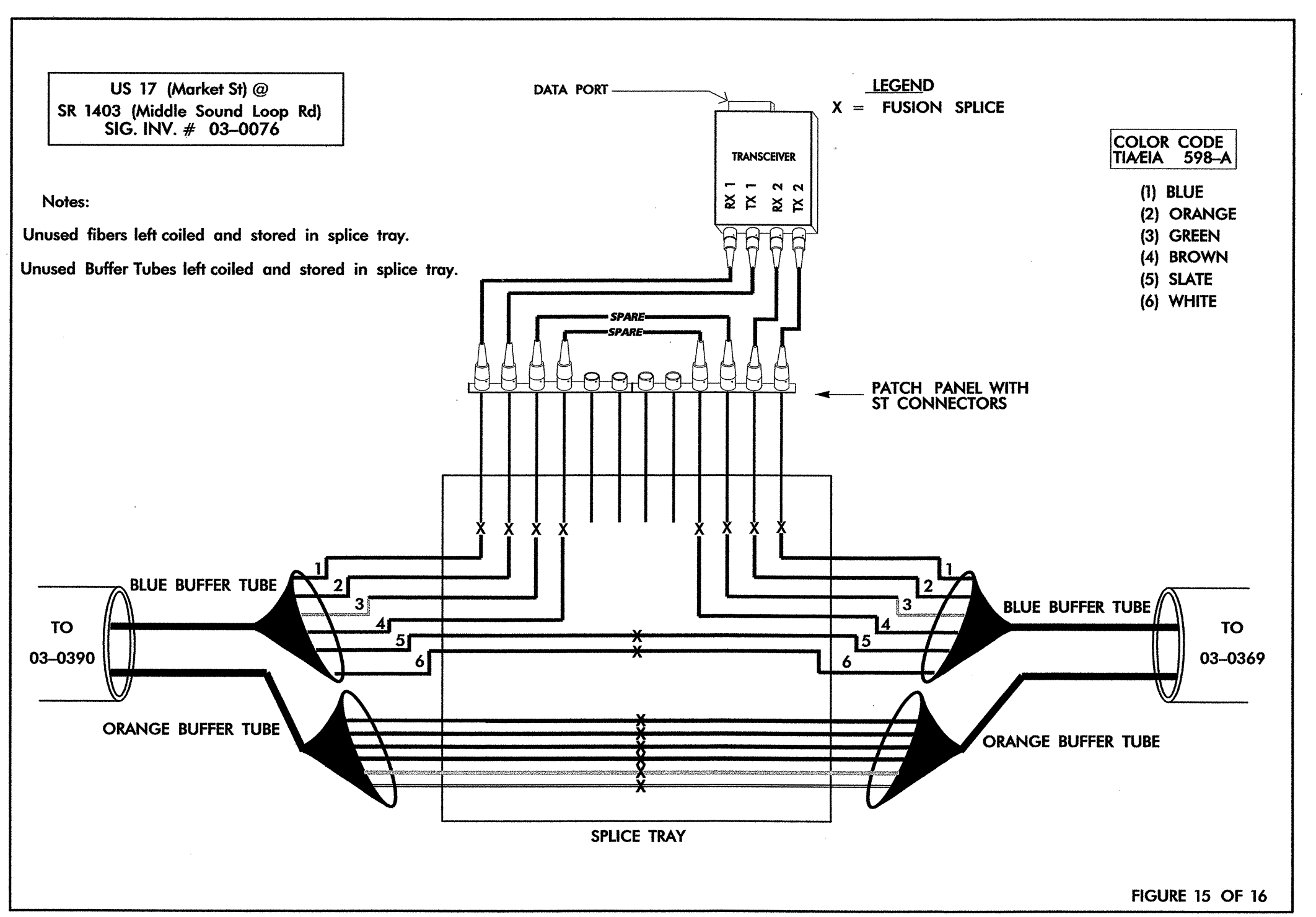
FIBER OPTIC CABLE



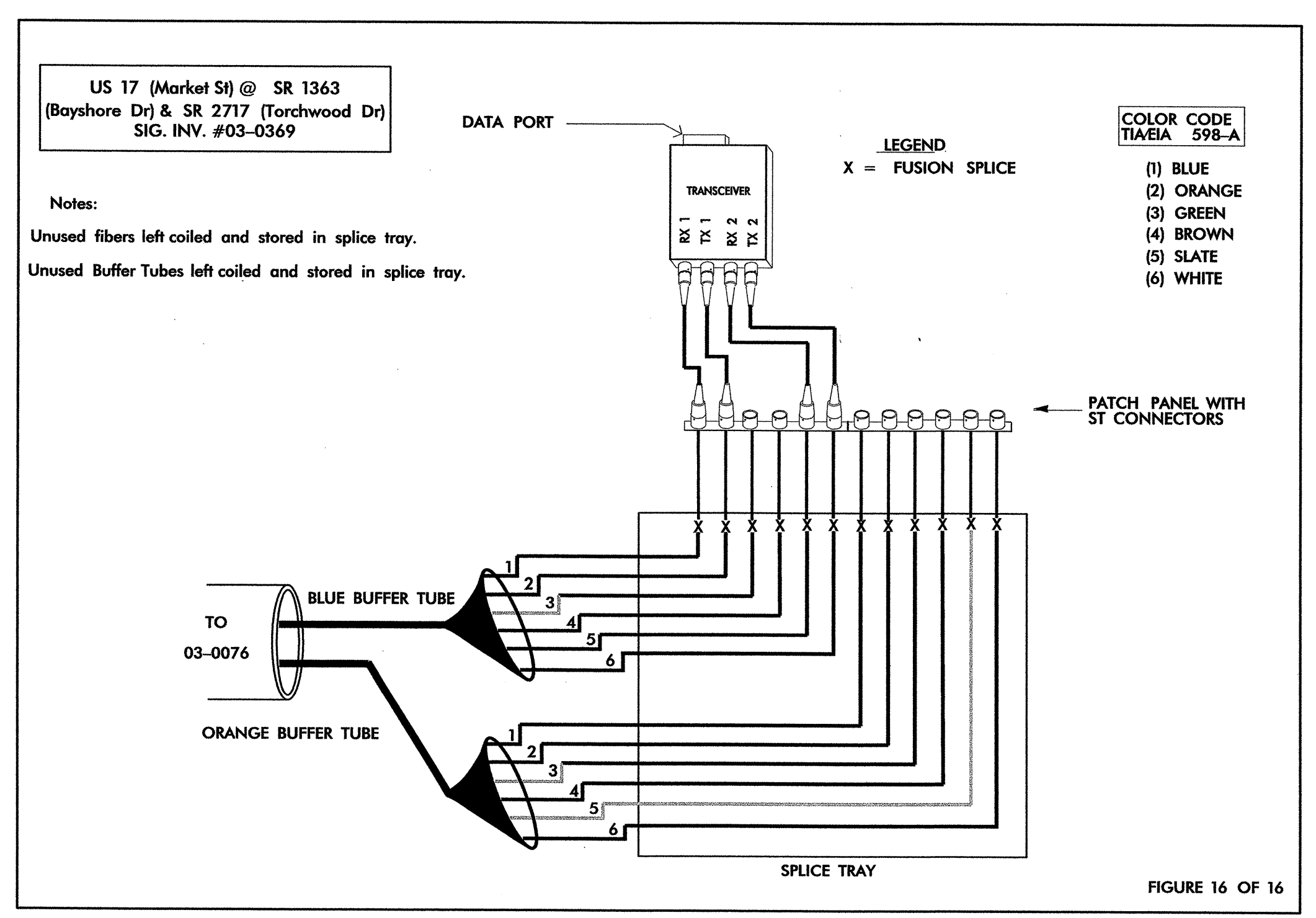
EXISTING FROM ICT 2



EXISTING FROM ICT 2



EXISTING FROM ICT 2



EXISTING FROM ICT 2

FINAL CRP

INSTALL "SELF-HEALING RING" TYPE TRANSCEIVERS

<p>Prepared for: Traffic Engineering and Safety Services NORTH CAROLINA DEPARTMENT OF TRANSPORTATION Traffic Management System</p> <p>122 N. McDowell St., Raleigh, NC 27603</p>	<p>SEAL</p> <p>SPLICE PLAN</p>									
	<p>DIVISION 3 NEW HANOVER COUNTY WILMINGTON</p> <p>PLAN DATE: AUG 2003 REVIEWED BY:</p> <p>PREPARED BY: J. P. CARLON REVIEWED BY: S. S. ASEFNIA</p>	<p>REVISIONS</p> <table border="1"> <tr> <th>NO.</th> <th>DATE</th> <th>INIT.</th> <th>DATE</th> </tr> <tr> <td> </td> <td> </td> <td> </td> <td> </td> </tr> </table>		NO.	DATE	INIT.	DATE			
NO.	DATE	INIT.	DATE							
<p>SCALE</p> <p>0</p>	<p>SIGNATURE</p> <p>1/15/04</p> <p>DATE</p>		<p>CADD FILE NAME</p>							