
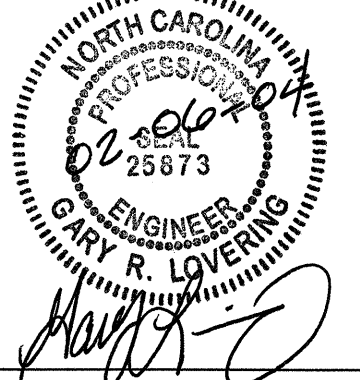
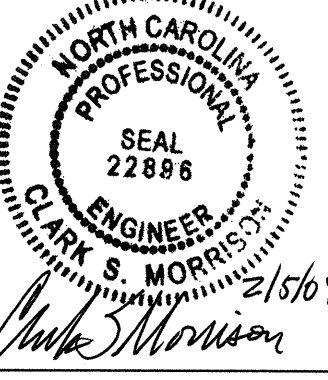
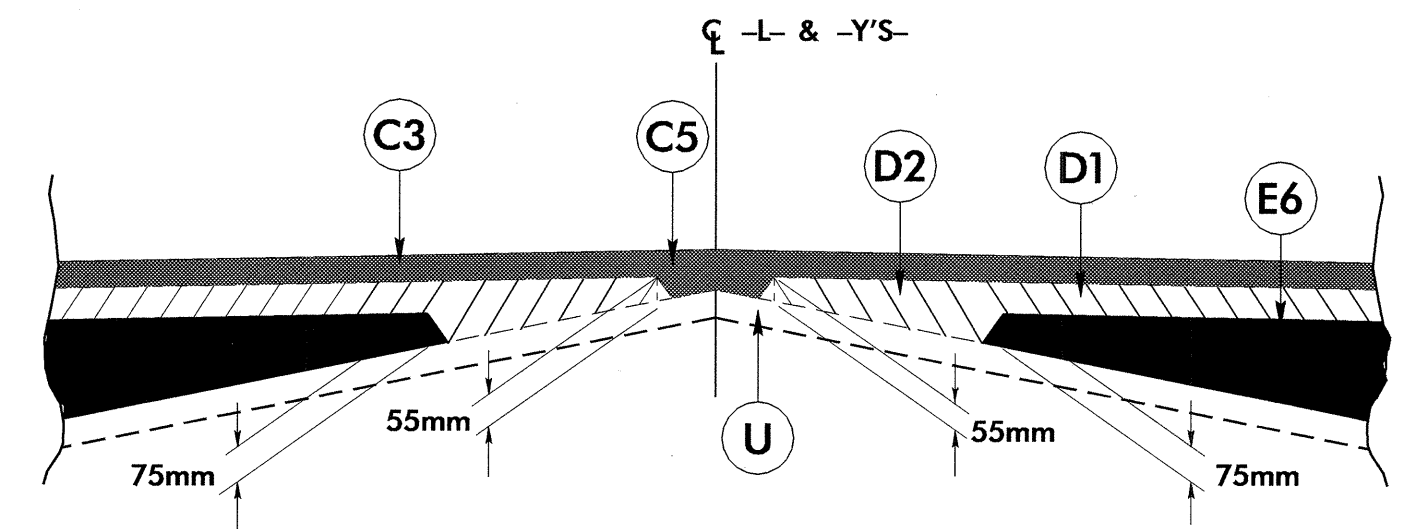


6/16/03  
 09-JAN-2004 09:51:2734.tsp  
 SahaLey AT RD22245

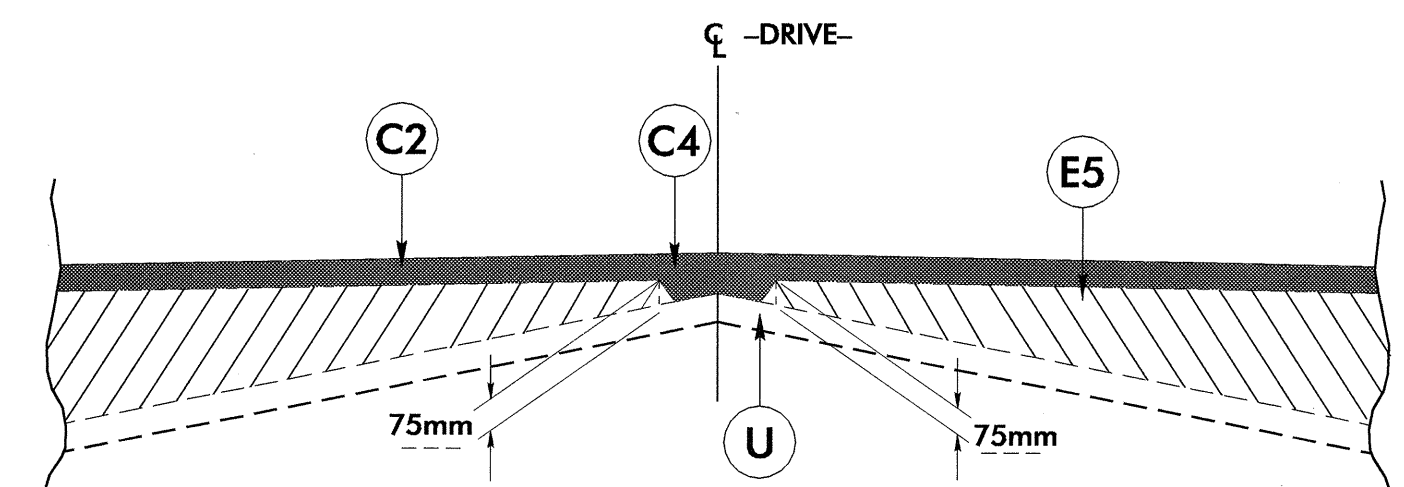
FINAL PAVEMENT SCHEDULE	
C1	PROP. APPROX. 40 mm ASPHALT CONC. SURFACE COURSE, TYPE S9.5B, AT AN AVERAGE RATE OF 96 kg PER SQ. METER.
C2	PROP. APPROX. 70 mm ASPHALT CONC. SURFACE COURSE, TYPE S9.5B, AT AN AVERAGE RATE OF 84 kg PER SQ. METER IN EACH OF TWO LAYERS.
C3	PROP. APPROX. 70 mm ASPHALT CONC. SURFACE COURSE, TYPE S9.5C, AT AN AVERAGE RATE OF 84 kg PER SQ. METER IN EACH OF TWO LAYERS.
C4	PROP. VAR. DEPTH ASPHALT CONCRETE SURFACE COURSE, TYPE S9.5B, AT AN AVERAGE RATE OF 2.4 kg. PER SQ. METER PER 1 mm DEPTH, TO BE PLACED IN LAYERS NOT LESS THAN 30 mm IN DEPTH OR GREATER THAN 40 mm IN DEPTH.
C5	PROP. VAR. DEPTH ASPHALT CONCRETE SURFACE COURSE, TYPE S9.5C, AT AN AVERAGE RATE OF 2.4 kg. PER SQ. METER PER 1 mm DEPTH, TO BE PLACED IN LAYERS NOT LESS THAN 30 mm IN DEPTH OR GREATER THAN 40 mm IN DEPTH.
D1	PROP. APPROX. 110 mm ASPHALT CONC. INTERMEDIATE COURSE, TYPE I19.0C AT AN AVERAGE RATE OF 269.5 kg PER SQ. METER.
D2	PROP. VAR. DEPTH ASPHALT CONC. INTERMEDIATE COURSE, TYPE I19.0C, AT AN AVERAGE RATE OF 2.45 kg PER SQ. METER PER 1 mm DEPTH, TO BE PLACED IN LAYERS NOT LESS THAN 55 mm OR GREATER THAN 110 mm IN DEPTH.
E1	PROP APPROX. 75 mm ASPHALT CONC. BASE COURSE, TYPE B25.0B, AT AN AVERAGE RATE OF 183.75 kg PER SQ. METER.
E2	PROP. APPROX. 110 mm ASPHALT CONC. BASE COURSE, TYPE B25.0B, AT AN AVERAGE RATE OF 269.5 kg PER SQ. METER.
E3	PROP. APPROX. 100 mm ASPHALT CONC. BASE COURSE, TYPE B25.0C, AT AN AVERAGE RATE OF 245 kg PER SQ. METER.
E4	PROP. APPROX. 110 mm ASPHALT CONC. BASE COURSE, TYPE B25.0C, AT AN AVERAGE RATE OF 269.5 kg PER SQ. METER.
E5	PROP. VAR. DEPTH ASPHALT CONC. BASE COURSE, TYPE B25.0B, AT AN AVERAGE RATE OF 2.45 kg PER SQ. METER PER 1 mm DEPTH, TO BE PLACED IN LAYERS NOT LESS THAN 75 mm IN DEPTH OR GREATER THAN 140 mm IN DEPTH.
E6	PROP. VAR. DEPTH ASPHALT CONC. BASE COURSE, TYPE B25.0C, AT AN AVERAGE RATE OF 2.45 kg PER SQ. METER PER 1 mm DEPTH, TO BE PLACED IN LAYERS NOT LESS THAN 75 mm IN DEPTH OR GREATER THAN 140 mm IN DEPTH.
R1	750 mm CONCRETE CURB AND GUTTER.
R2	450 mm CONCRETE CURB AND GUTTER.
R3	125 mm MONOLITHIC CONCRETE ISLAND.
R4	600mm SLOPED CURB (SEE DETAIL SHEET NO. 2-W)
T	EARTH MATERIAL.
U	EXISTING PAVEMENT.
W	VARIABLE DEPTH ASPHALT PAVEMENT. (SEE STANDARD WEDGING DETAILS)

NOTE: PAVEMENT EDGE SLOPES ARE 1:1 UNLESS SHOWN OTHERWISE.

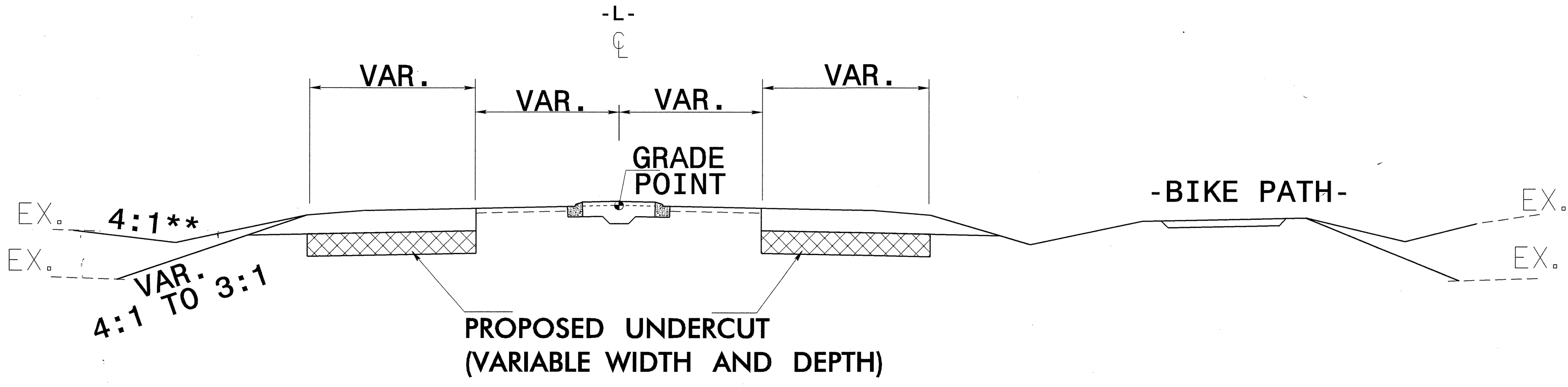
 CONST.REV. R /W REV. 07/16/03	PROJECT REFERENCE NO. U-2734	SHEET NO. 2
	ROADWAY DESIGN ENGINEER 	PAVEMENT DESIGN ENGINEER 



Detail Showing Method of Wedging



Detail Showing Method of Wedging



**TYPICAL -L- UNDERCUT EXCAVATION DETAIL**

USE -L- UNDERCUT EXCAVATION DETAIL FOR  
 -L- STA 20+20 TO 26+00 AND STA 33+00 TO STA 33+80  
 FOR WIDTHS, SEE CROSS SECTION SHEETS X-8 TO X-16 AND X-24 TO X-25

