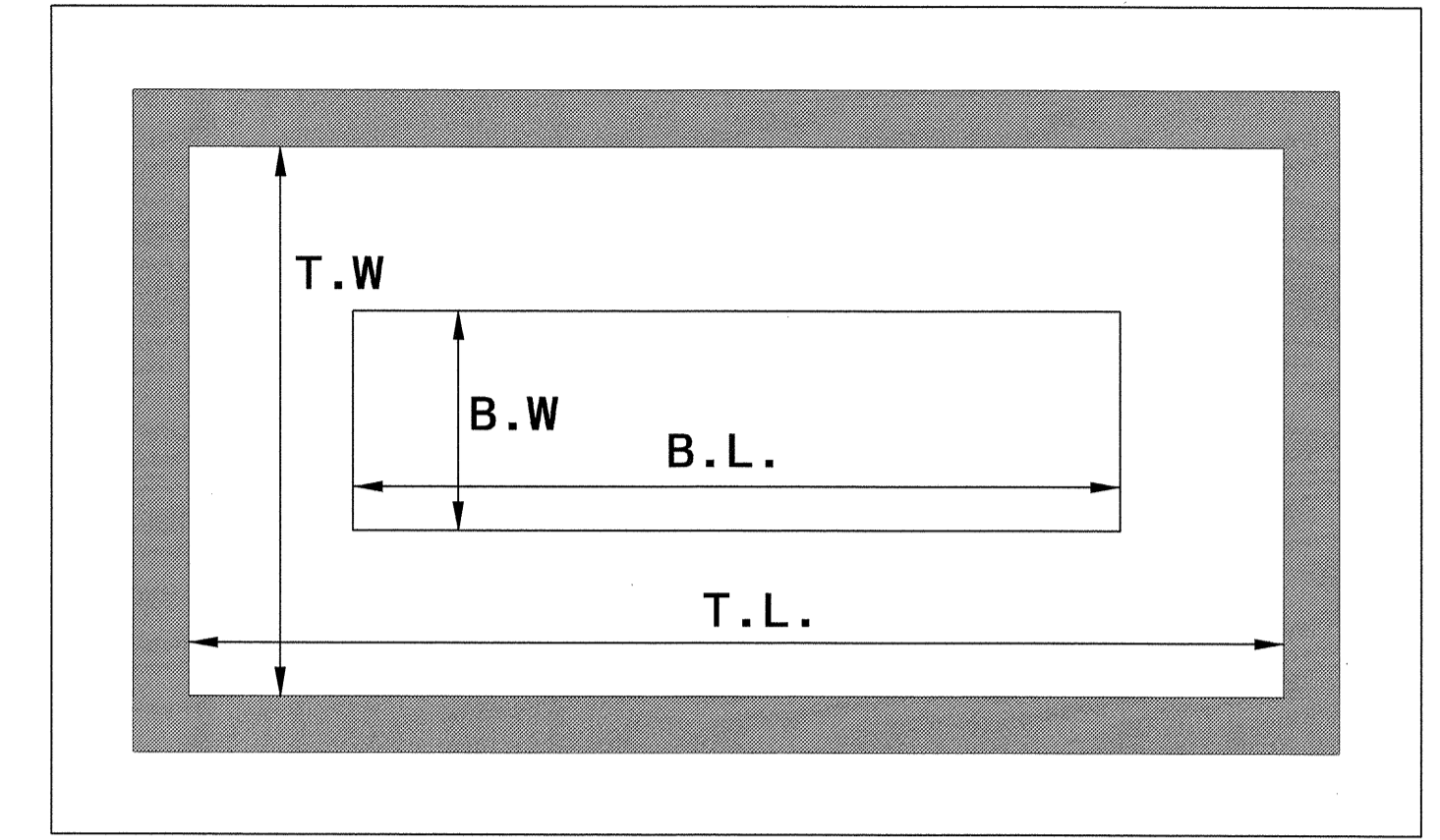
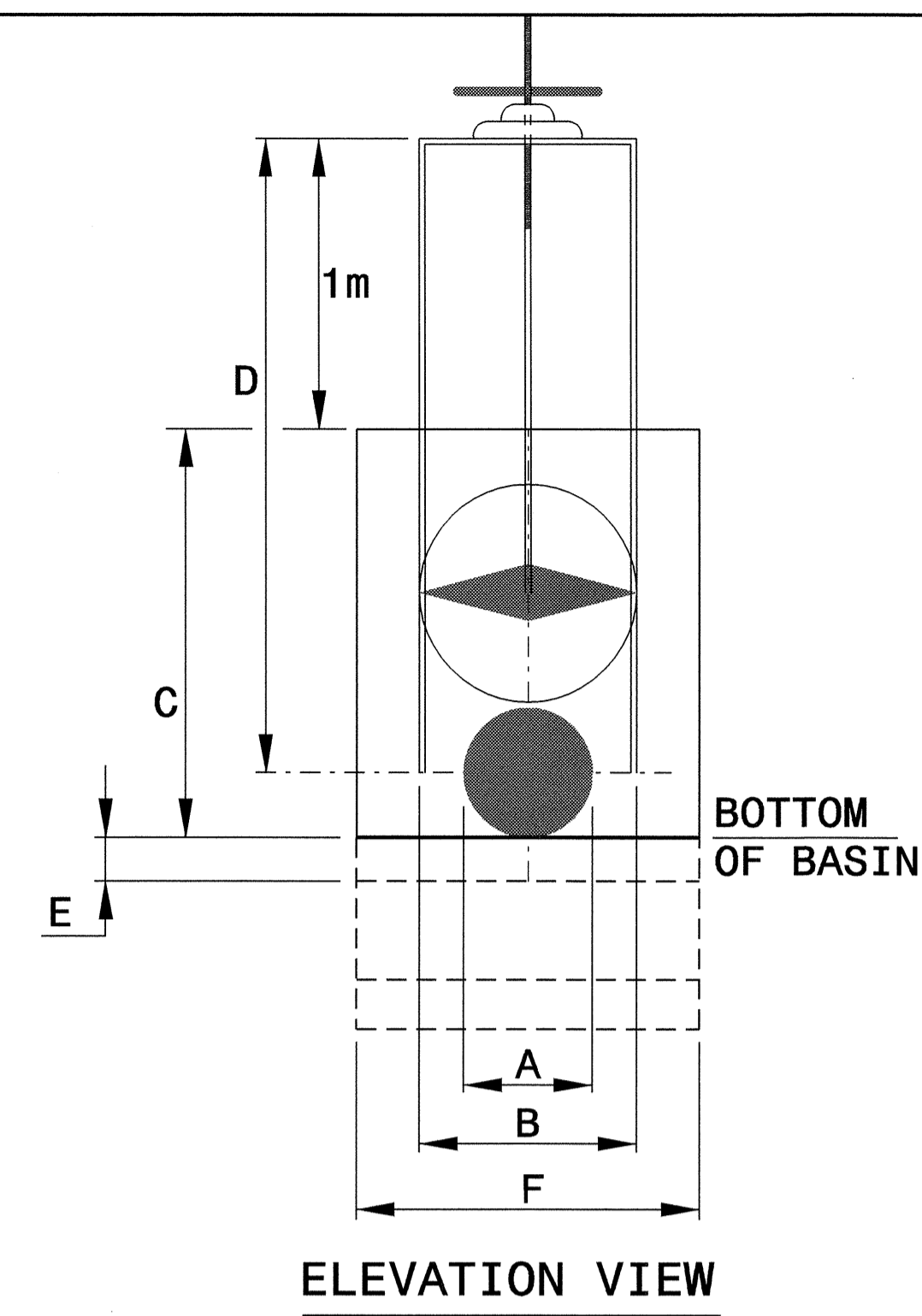
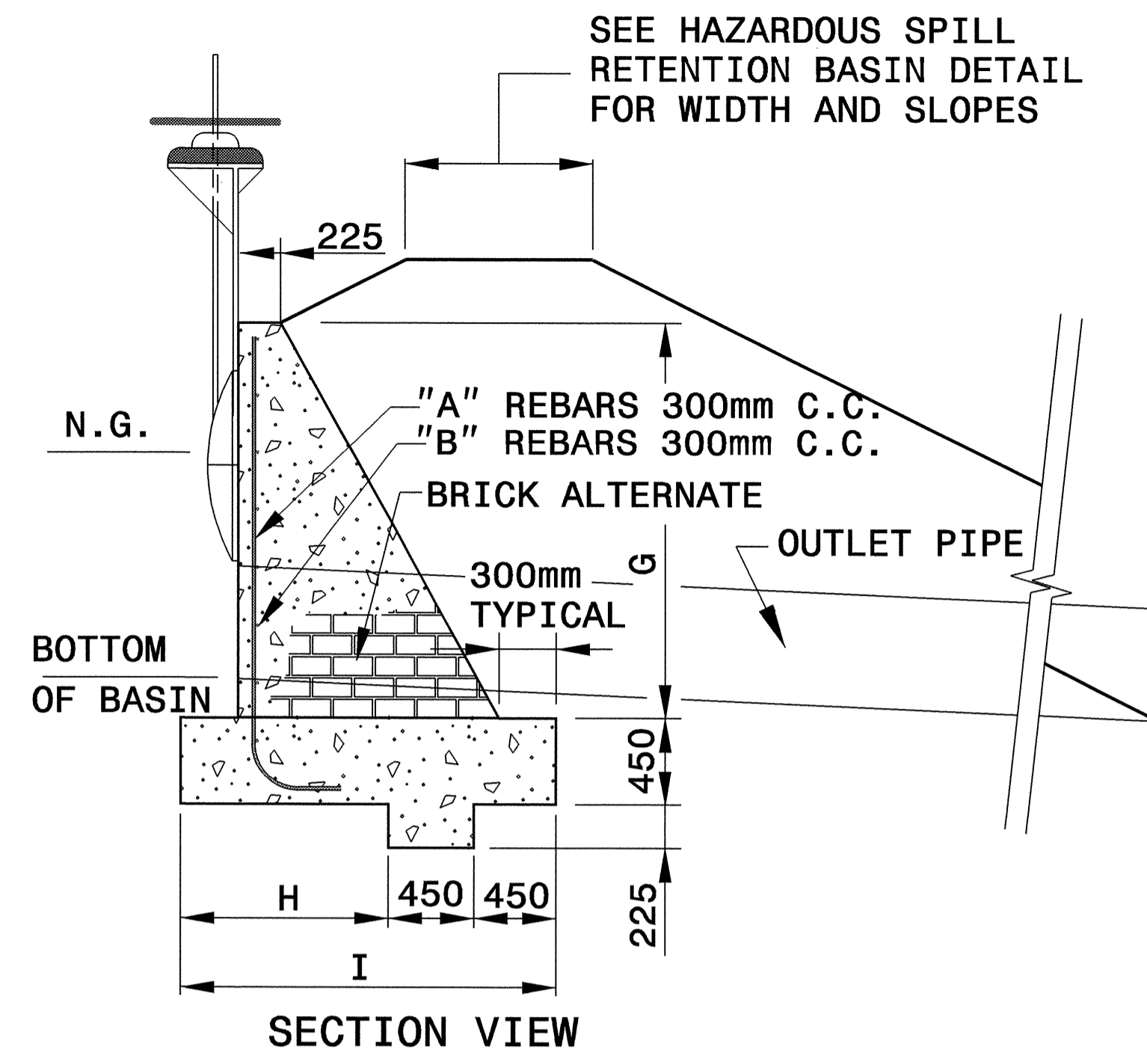


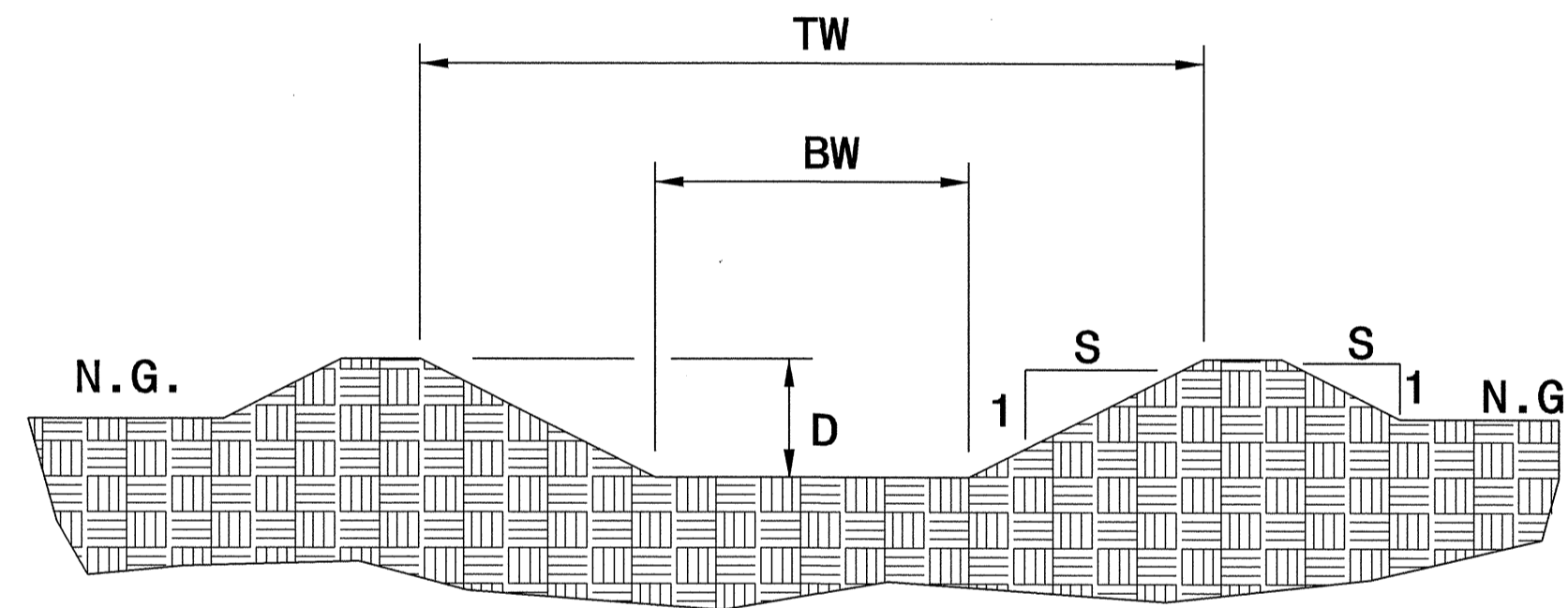


GENERAL NOTES:

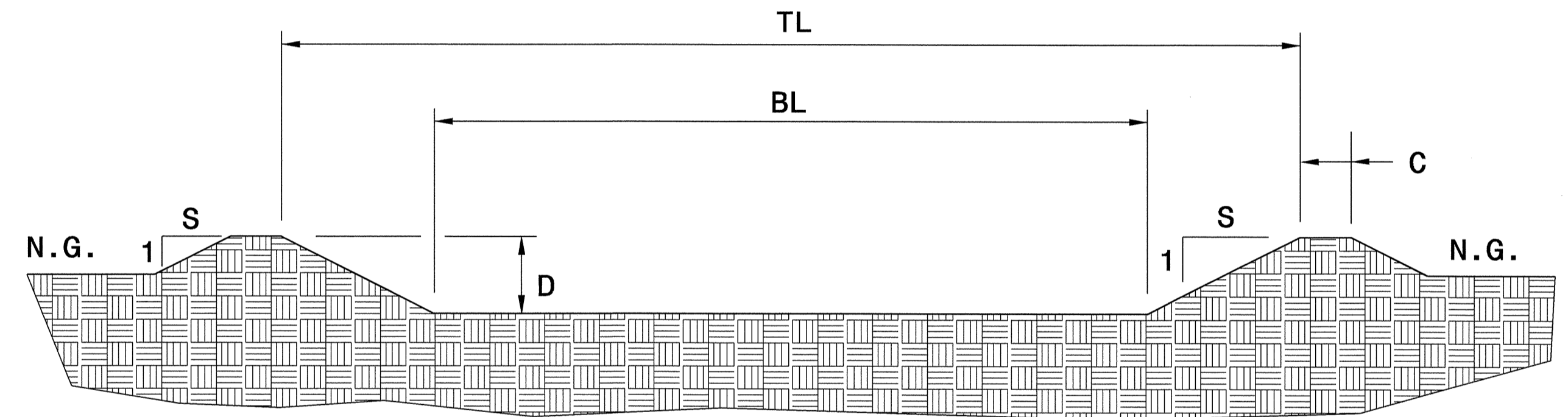
- 1- REINFORCING STEEL SHALL BE CONSIDERED INCIDENTAL TO THE HEADWALL AND SHALL BE PAID FOR ON m³ BASIS.
- 2- CONCRETE SHALL BE CLASS "B" THROUGHOUT STRUCTURE.
- 3- DELETE REINFORCING STEEL WHEN BRICK ALTERNATE IS USED.



PLAN VIEW OF BASIN



CROSS SECTION VIEW OF BASIN



CROSS SECTION VIEW OF BASIN

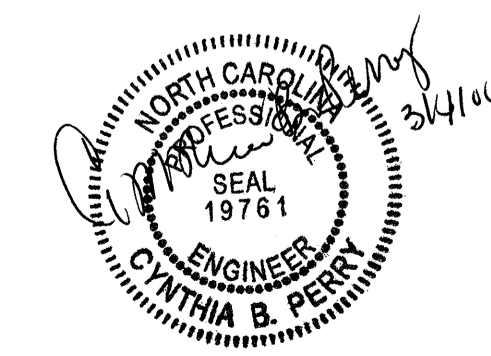
BASIN #	1	2
SLUICE GATE DIMENSIONS		
PIPE DIAMETER	A	750mm 600mm
GATE DIAMETER	B	
HEADWALL HT.	C	
FRAME HEIGHT	D	
INVERT HEIGHT	E	
HEADWALL WIDTH	F	
HEADWALL DIMENSIONS		
PIPE DIAMETER	A	
HEADWALL HT.	G	
FOOTING DEPTH	H	
HEADWALL DEP.	I	

HAZARDOUS SPILL RETENTION BASIN													
BASIN #	PIPE SIZE	TOP ELEV.	BOTTOM ELEV	T.W.	B.W.	D	T.L.	B.L.	S	C	*G	CAPACITY	STATION
1	750	6.5	4.2	20	6	2.3	34	20	3	N/A	650m ³	550m ³	-L- 27+40 RT
2	600	6.0	5.0	16	10	1.0	24	18	3	1.0	260m ³	185m ³	-L- 28+60 RT

*G DENOTES EXCAVATION AMOUNT.

NOTE: SEE PLAN SHEET FOR LOCATION OF OUTLET PIPE WITH SLUICE GATE.

** Provided at new and/or improved roadway sections to aid in containment and clean up of accidental spills by truck traffic. Basins are provided in particular locations including areas in proximity to sensitive waters and water supplies.



**DESIGN SERVICES UNIT
STANDARDS AND SPECIAL DESIGN**
Office 919-250-4128 FAX 919-250-4119

**** HAZARDOUS SPILL
RETENTION BASIN**

ORIGINAL BY: _____	DATE: _____
MODIFIED BY: _____	DATE: _____
CHECKED BY: _____	DATE: _____
FILE SPEC.: _____	